



The smart sliding gate operator STArter S2 is the ideal operator for gates with a movement range of up to 6 m and a gate weight of 300 kg. His intelligent control offers a wide range of connection options. In addition to convenient operation via radio control system, he can be integrated into the Smart Home systems SOMweb and Delta Dore.



Bi-directional radio control system



128-bit AES encryption with Rollingcode



Disturbance-resistant radio signal



Supports the SOMlink service interface

## Technical data

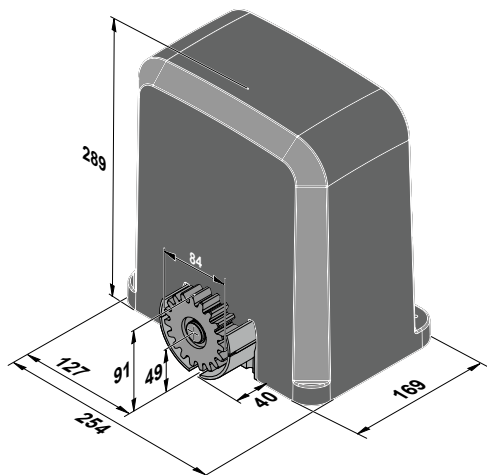
|                              |              |
|------------------------------|--------------|
| Rated voltage                | 220–240 V AC |
| Rated frequency              | 50/60 Hz     |
| Min. temperature             | –20 °C       |
| Max. temperature             | +50 °C       |
| IP code                      | IP54         |
| Max. torque                  | 11 Nm        |
| Max. speed                   | 190 mm/s     |
| Power consumption in standby | 3 W          |

|                      |               |
|----------------------|---------------|
| Operating mode       | S3 30 %       |
| Min. movement range  | 1.400 mm      |
| Max. movement range  | 6.000 mm      |
| Max. gate weight     | 300 kg        |
| Gate inclination     | –             |
| Radio control system | SOMloq2       |
| Radio frequency      | FM 868,95 MHz |



No active safety contact strip on the main closing edge is necessary for the STArter S2.

## Dimensional drawing



All dimensions are in millimetres. Subject to misprints, errors and technical changes.

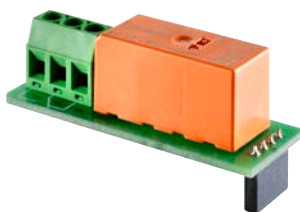
## Accessories



### Memo

Expands the memory of the handheld transmitter to 450 handheld transmitter commands. Allows the use of transmitter management Codemaster<sup>+</sup>.

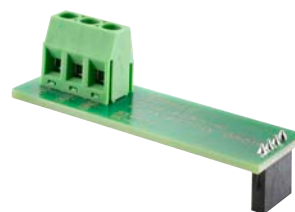
#10373



### Relay

Relay with potential-free changeover contact for activating external lighting or querying the opening status.

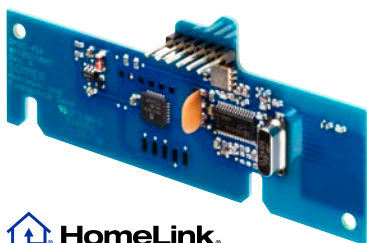
#7042V000



### Output OC

Open collector output for transmission of a static signal for display of the opening status to Smart Home systems or for activation of additional lighting with 24 V.

#S10854-00001

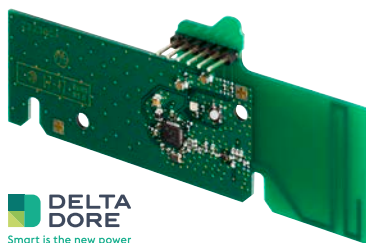


### HomeLink

#### HomeLink radio receiver module

With the HomeLink radio receiver, the sliding gate operator can be upgraded to the HomeLink radio control system. The sliding gate operator can then be controlled with a HomeLink transmitter integrated in the vehicle.

#S11004-00001



#### Delta Dore X3D module

The module integrates the sliding gate operator into the Delta Dore Smart Home system. This allows you to control and query the position of the operator via the Tydom app from Delta Dore.

#S11561-00001



### Buzzer

Alarm or warning buzzer that outputs an acoustic signal reporting a break-in attempt or during the closing process.

#7043V000