

Main catalogue 2020/2021



GARAGE DOOR OPERATORS | SWING GATE OPERATORS | SLIDING GATE OPERATORS | RADIO TECHNOLOGY | SMART HOME ACCESSORIES | ROLLER DOOR CONTROL UNITS | BARRIER SYSTEMS | ROLLER SHUTTER AND AWNING OPERATORS
INDUSTRIAL DOOR OPERATORS

Innovations	4
Information	6
Explanation of symbols	7
SOMMER worldwide	8
APERTO Garage door operators	10
Garage door operators (FM 868.95 MHz)	10
Garage door operators (FM 868.8 MHz)	12
Garage door operators	15
Overview of garage door operators (SOMloq2 FM 868.95 MHz)	16
Checklist for garage door operators	18
SOMMER base ⁺	20
SOMMER pro ⁺	22
Accessories for garage door operators	24
Dimension drawings	40
Underground and collective garage operators	43
SOMMER tiga/tiga ⁺	43
Accessories for underground and collective garage operators	48
Dimension drawings	49
Swing gate operators	51
All our swing gate operators at a glance	52
Checklist for swing gate operators	54
twist 200 E / twist 200 EL	56
twist 350	62
twist XL	66
twist UG	70
twist UG ⁺	72
twist AM	74
Accessories for swing gate operators	78
Fittings for twist 200 E/EL	79
Fittings for twist 350	82
Fittings for twist XL	82
Fittings for twist AM	83
Sliding gate operators	85
All our sliding gate operators at a glance	86
Checklist for sliding gate operators	88
STARter	90
STARter ⁺	91
SP 900	92
RUNner	94
RUNner ⁺	95
SM 40 T	98
DS 600 / DS 1200	100
Accessories for sliding gate operators	102

Radio technology	107
The advantages at a glance	108
Transmitter FM 868.95/868.8 MHz (SOMloq2)	110
Radio receiver FM 868.95 MHz (SOMloq2)	114
HomeLink radio receiver	117
Transmitter management	118
Transmitter FM 868.8 MHz (Somloq Rollingcode)	120
Radio receiver FM 868.8 MHz (Somloq Rollingcode)	122
Consumables (batteries)	125
Transmitter FM 40.685 MHz	126
Transmitter AM 40.685 MHz (10-bit)	126
Smart Home	128
Accessories	134
Access systems	134
Pulse buttons	143
Photocells	147
Induction loops	150
Safety contact strips	151
Traffic / warning lights	155
Emergency power supply	157
Service interface	157
Installation aids	159
Roller shutter and awning operators	161
How to find a suitable tubular motor	162
Tubular motors	163
Standard accessories	163
Wall anchor	164
Adapters for all tubular motors A XX/XX/45	164
Control unit for awning operators	165
Control units for roller shutter operators	166
Accessories	167
Roller door control units	168
Accessories for roller door control units	169
Barrier systems	171
Barriers	172
Accessories for barriers	174
Industrial door operators	177
Door components	179
Index of items	180

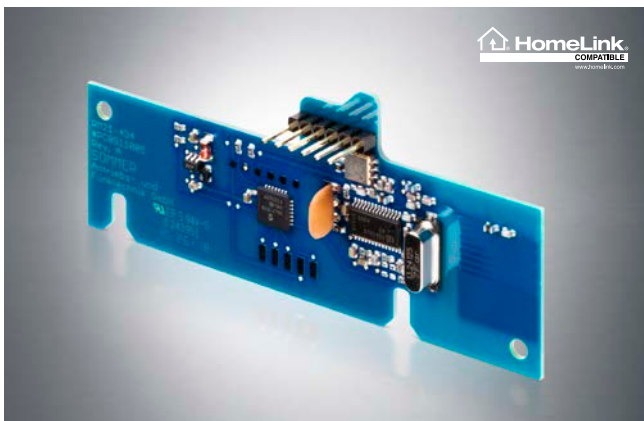


Swing and sliding gate operators

Now with SOMloq2 radio system

The majority of our established swing and sliding gate operators with Somloq Rollingcode radio system are now also available with the SOMloq2 radio system. In addition to the well-known advantages of 128-bit AES encryption, hop and auto-repeat function, the integrated SOMup4 radio receiver allows you to programme and delete transmitters via the SOMlink service interface.

twist 200 E – Page 57
 twist 200 EL – Page 58
 twist 350 – Page 63
 twist XL – Page 67
 SP 900 – Page 92
 RUNner – Page 94
 RUNner+ – Page 95



HomeLink radio receiver module

Upgrade with HomeLink®

The radio receiver module allows you to control garage door operators SOMMER base+, pro+, tiga, tiga+, A 550 L and A 800 XL, roller door control unit RDC Vision+ and barriers with the radio system SOMloq2 via the HomeLink transmitter integrated in a vehicle.

Page 117



ENTRASys+ and ENTRAcod+

Access systems with a wide range of usage options

Our keyless access systems are state-of-the-art solutions that combine high convenience with maximum security. The biometric access systems can be quickly installed and will open the door or gate conveniently via a fingerprint or with an individually programmable numeric code.

You never have to worry again about losing your keys or access cards!

Page 134



Top: Barrier with additional equipment Lumi Strip traffic light in housing
Right: New control unit



Barriers with SOMloq2 radio system

New control unit with a wide range of connection options

All barriers have a new control unit with fully integrated SOMloq2 radio system and a range of connection options that leave nothing to be desired. The SOMlink service interface offers additional options for adjusting features and parameters with a web app.

Page 171

RDC Vision+

Gets things rolling

The new roller door control unit RDC Vision+ allows even more user-friendly control of roller doors. Combination with our SOMlink service interface offers countless setting and querying options. Integrated LEDs at the corresponding points allow quick diagnosis in the case of error messages.

In addition to the features installed as standard, the functions of the RDC Vision+ can be expanded with a wide range of accessories.

Page 168



This catalogue supersedes all other catalogues, price lists and agreements.

The valid warranty terms can be found at www.sommer.eu.

Repair and service charges are net. Prices of spare parts are not included in the dealer price list. You can find these at www.som4.me/etl.

Please note the ASR A1.7 Technical Regulations for Workplaces "Doors and gates" and the applicable European standards.

Installation instructions and videos

Our installation and operating instructions are available for download:

 www.som4.me/man

Have a look at our wide range of videos, too:

 www.som4.me/vid

 www.som4.me/youtube

Social media

Follow us on social media channels:

 www.som4.me/facebook

 www.som4.me/twitter

WEEE Directive

SOMMER Antriebs- und Funktechnik GmbH is registered under WEEE Reg. No. DE 55071946.





Bidirectional radio system enables active communication between transmitter and receiver.



Disturbance-resistant radio signal guarantees a large range and reliability.



Maximum protection against hackers thanks to 128-bit AES encryption with Rollingcode.



Collision resistant, sturdy and robust housing protects against mechanical stress.



Noticeable feedback of radio control system via vibration for confirmation of reception.



Energy-efficient consumption on standby.



Connection for battery pack possible. Supplies energy to the operator for up to 12 hours in the event of a power failure.



Integrated lighting for added convenience.



Durable, energy-saving and efficient lighting thanks to state-of-the-art LED technology.



Operators and radio receivers with this symbol are supported by the SOMlink service interface.



Products with a biometric finger scanner allow keyless access.



The Notes symbol describes additional information and useful tips.



The Caution symbol indicates additional information and useful tips to which special attention should be paid.



You can identify products with the SOMloq2 radio system by this mark.



Garage door operators with the closing forces symbol have been tested and certified by Ift Rosenheim to EN 12453.



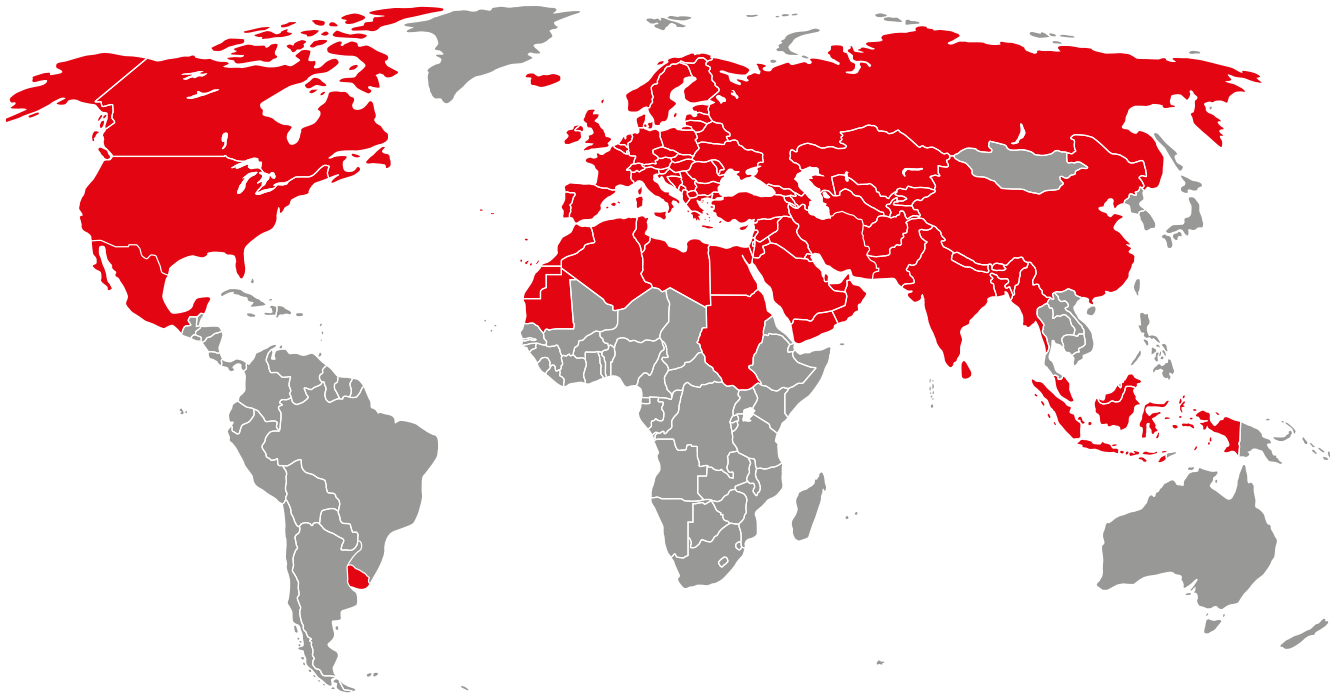
The "Type-tested" certification represents a voluntary commitment to added security above and beyond the CE conformity test.



The BAS.T quality seal is awarded to products whose properties exceed the statutory and normative requirements. An independent quality committee of the Bundesverband Antriebs- und Steuerungstechnik. Tore e.V. (BAS.T - federal drive and control technology association, gates) checks and monitors compliance with the implementing provisions of the BAS.T quality seal.



Door and gate operators with the GS mark are TÜV/GS-tested and meet the requirements of the German Product Safety Act (ProdSG). They are monitored voluntarily by TÜV at regular intervals.



Afghanistan

Represented by sales representative
Mr Shafiqullah Kazimi
s.kazimi@sommer.eu

Albania

Represented by sales representative
Mr Georgi Kostov
g.kostov@sommer.eu

Algeria

Represented by sales representative
Mr Gamal Eid
g.eid@sommer.eu

Armenia

Represented by sales representative
Mr Arvydas Andriulionis
a.andriulionis@sommer.eu

Austria

SOMMER Austria Ges.m.b.H
4111 Walding
info@at.sommer.eu
www.sommer.eu/at

Azerbaijan

MSB LLC
AZ 1039 Baku
info@az.sommer.eu
www.sommer.eu/az

Bahrain

Represented by sales representative
Mr Gamal Eid
g.eid@sommer.eu

Bangladesh

Represented by sales representative
Mr Shafiqullah Kazimi
s.kazimi@sommer.eu

Belarus

Represented by sales representative
Mr Arvydas Andriulionis
a.andriulionis@sommer.eu

Belgium

Seculux NV
3650 Lanklaar-Dilsen
info@seculux.be
www.seculux.be

Bhutan

Represented by sales representative
Mr Shafiqullah Kazimi
s.kazimi@sommer.eu

Bosnia-Herzegovina

Represented by sales representative
Mr Georgi Kostov
g.kostov@sommer.eu

Bulgaria

Represented by sales representative
Mr Georgi Kostov
g.kostov@sommer.eu

Canada

Represented by subsidiary
SOMMER USA Inc.
info@sommer-usa.com

China

SOMMER Automation & Radio
(Shanghai) Co., Ltd.
Shanghai, Jiading District, Malu County
201801 China, People's Republic
info@sommer-china.com.cn
www.sommer-china.com.cn

Croatia

Represented by sales representative
Mr Georgi Kostov
g.kostov@sommer.eu

Cyprus

Represented by sales representative
Mr Georgi Kostov
g.kostov@sommer.eu

Czech Republic

TRIDO s.r.o.
67801 Blansko
trido@trido.cz
www.trido.cz

Denmark

Represented by subsidiary
SOMMER APERTO Scandinavia AB
info@aperto.se

Egypt

Represented by sales representative
Mr Gamal Eid
g.eid@sommer.eu

Estonia

Represented by sales representative
Mr Arvydas Andriulionis
a.andriulionis@sommer.eu

Finland

Represented by subsidiary
SOMMER APERTO Scandinavia AB
info@aperto.se

France

SOMMER France S.A.R.L.
67170 Brumath
info@fr.sommer.eu
www.sommer.eu/fr

Georgia

Represented by sales representative
Mr Arvydas Andriulionis
a.andriulionis@sommer.eu

Germany (Head Office)

SOMMER Antriebs- und
Funktechnik GmbH
73230 Kirchheim/Teck
info@sommer.eu
www.sommer.eu

Great Britain

SOMMER DOCO
York YO41 4AR
info@uk.sommer.eu
www.sommer.eu/uk

Greece

Represented by sales representative
Mr Georgi Kostov
g.kostov@sommer.eu

Hungary

SOMMER Kaputechnika Kft.
1214 Budapest
info@hu.sommer.eu
www.sommer.eu/hu

Iceland

Represented by subsidiary
SOMMER APERTO Scandinavia AB
info@aperto.se

India

Represented by sales representative
Mr Shafiqullah Kazimi
s.kazimi@sommer.eu

Indonesia

Represented by sales representative
Mr Shafiqullah Kazimi
s.kazimi@sommer.eu

Iraq

Represented by sales representative
Mr Gamal Eid
g.eid@sommer.eu

Ireland

Represented by subsidiary
SOMMER DOCO
info@uk.sommer.eu

Italy

SOMMER Automazioni S.r.l.
38123 TRENTO TN
italia@sommer.eu
www.sommer.eu/it

Jordan

Represented by sales representative
Mr Gamal Eid
g.eid@sommer.eu

Kazakhstan

Represented by sales representative
Mr Arvydas Andriulionis
a.andriulionis@sommer.eu

Kuwait

Represented by sales representative
Mr Gamal Eid
g.eid@sommer.eu

Kyrgyzstan

Represented by sales representative
Mr Arvydas Andriulionis
a.andriulionis@sommer.eu

Latvia

Represented by sales representative
Mr Arvydas Andriulionis
a.andriulionis@sommer.eu

Lebanon

Stouhi Steel Company
Beirut
stouhisteel@yahoo.com

Libya

Represented by sales representative
Mr Gamal Eid
g.eid@sommer.eu

Liechtenstein

Represented by subsidiary
SOMMER Antriebs- und Funktechnik AG
schweiz@sommer.eu

Lithuania

Represented by sales representative
Mr Arvydas Andriulionis
a.andriulionis@sommer.eu

Luxembourg

Represented by
Seculux NV
info@seculux.be

Macedonia

Represented by sales representative
Mr Georgi Kostov
g.kostov@sommer.eu

Malaysia

Represented by sales representative
Mr Shafiqullah Kazimi
s.kazimi@sommer.eu

Malta

Represented by subsidiary
SOMMER Automazioni S.r.l.
italia@sommer.eu

Mauritania

Represented by sales representative
Mr Gamal Eid
g.eid@sommer.eu

Mexico

PAL Puertas Automáticas
80200 Culiacán, Sinaloa
ventas_pal@pal.com.mx
www.pal.com.mx

Moldova

Represented by sales representative
Mr Arvydas Andriulionis
a.andriulionis@sommer.eu

Montenegro

Represented by sales representative
Mr Georgi Kostov
g.kostov@sommer.eu

Morocco

Represented by sales representative
Mr Gamal Eid
g.eid@sommer.eu

Myanmar

Represented by sales representative
Mr Shafiqullah Kazimi
s.kazimi@sommer.eu

Nepal

Represented by sales representative
Mr Shafiqullah Kazimi
s.kazimi@sommer.eu

Netherlands

Represented by
Seculux NV
info@seculux.be

Norway

Represented by subsidiary
SOMMER APERTO Scandinavia AB
info@aperto.se

Oman

Represented by sales representative
Mr Gamal Eid
g.eid@sommer.eu

Pakistan

Represented by sales representative
Mr Shafiqullah Kazimi
s.kazimi@sommer.eu

Poland

SOMMER Polska Sp. z o.o.
05-800 Pruszków
biuro@sommer-polska.pl
www.sommer.eu/pl

Portugal

Represented by subsidiary
DOCO SOMMER Ibérica SLU
info@es.sommer.eu

Qatar

Represented by sales representative
Mr Gamal Eid
g.eid@sommer.eu

Romania

MCA Grup
Jilava, jud Ilfov 077120
office@mcagrup.ro
www.mcagrup.ro

Russia

SOMMER RUS TRADE
125130 Moscow
info@sommer-rus.eu
www.sommer.eu/rus

Saudi Arabia

Represented by sales representative
Mr Gamal Eid
g.eid@sommer.eu

Serbia

Represented by sales representative
Mr Georgi Kostov
g.kostov@sommer.eu

Singapore

Represented by sales representative
Mr Shafiqullah Kazimi
s.kazimi@sommer.eu

Slovakia

Represented by sales representative
Mr Stanislav Papež
s.papez@sommer.eu

Slovenia

Represented by sales representative
Mr Georgi Kostov
g.kostov@sommer.eu

Spain

DOCO SOMMER Ibérica SLU
08530 La Garriga, Barcelona
info@es.sommer.eu
www.sommer.eu/es

Sri Lanka

Represented by sales representative
Mr Shafiqullah Kazimi
s.kazimi@sommer.eu

Sudan

Represented by sales representative
Mr Gamal Eid
g.eid@sommer.eu

Sweden

SOMMER APERTO Scandinavia AB
434 42 Kungsbacka
info@aperto.se
www.aperto.se
www.sommer.eu

Switzerland

SOMMER Antriebs- und Funktechnik AG
6210 Sursee
schweiz@sommer.eu
www.sommer.eu/ch

Syria

Represented by sales representative
Mr Gamal Eid
g.eid@sommer.eu

Tajikistan

Represented by sales representative
Mr Arvydas Andriulionis
a.andriulionis@sommer.eu

Tunisia

Cometa
2073 Borj Louzir Ariana
contact@cometa.com.tn
www.cometa.com.tn

Turkey

Represented by sales representative
Mr Georgi Kostov
g.kostov@sommer.eu

Turkmenistan

Represented by sales representative
Mr Arvydas Andriulionis
a.andriulionis@sommer.eu

Ukraine

"Raduga-N" OOO
ODESSA 65033
sommer@i.ua
www.rainbow.odessa.ua

Uruguay

Vastin S.A.
11800 Montevideo
www.bellahnos.com

United Arab Emirates

Represented by sales representative
Mr Gamal Eid
g.eid@sommer.eu

USA

SOMMER USA Inc.
Charlotte NC, 28214
info@sommer-usa.com
www.sommer-usa.com

Uzbekistan

Represented by sales representative
Mr Arvydas Andriulionis
a.andriulionis@sommer.eu

Yemen

Represented by sales representative
Mr Gamal Eid
g.eid@sommer.eu

Rail

- The rail unit (standard equipment) opens sectional doors up to a height of 2,500 mm, one piece doors up to a height of 2,750 mm
- By extending the rail, even taller doors can be opened
Rail extension 543 mm #S10868-00001
Rail extension 1,096 mm # 10460V000

Ceiling control unit connection option

- Impulse button
- Warning light DC 24 V, max. 25 watt
- 2- or 4-wire photocell
- Additional light slot (Lumi⁺)
- Additional light relay slot
- Battery pack slot (A 800 XL)



Additional connection options directly on motor carriage

- Connection for wicket door contact

Chain

- High-quality fixed chain (galvanic nickel-plated)
- Wear- and maintenance-free, pre-tensioned via springs with high tensile strength

Ceiling suspension unit

- Easy to install and versatile

Quality

- Universal operator for sectional doors, overhead doors, one piece doors, up-and-over doors ¹⁾ and side-opening sectional doors
- Integrated LED technology: durable, energy-saving and efficient lighting
- Saves power: < 3 watt standby (A 550 L)
< 1 watt standby (A 800 XL)
- Made in Germany

Flexibility

- Numerous accessories for extension, e.g. Lumi⁺ additional LED lighting, Relay, alarm/warning buzzer, Accu (A 800 XL)
- Motor carriage can be removed without disassembling the rail
- Easy shortening or lengthening of the rail

Safety

- Motor with high self-locking and active counter-pressure in all positions in the event of an attempted break-in
- Connection option for battery pack for emergency operation in the event of a power failure (A 800 XL)
- Thanks to the integrated emergency release, the motor carriage can be engaged and disengaged in any position
- Bidirectional, secure SOMloq2 radio control system

Intelligence

- Automatic learning process: self-learning force curve with continual adjustment, e.g. summer/winter mode
- Optimised speed profiles for quick opening and secure closing
- Operation compliant with standards
- Automatic calibration of door operation through direct entry of measured operating forces
- Pre-selectable door types via DIP switch
- Active braking for moving doors
- Numerous setting and querying options via SOMlink
- Gear-saving soft start/stop
- Automatic end position detection in door CLOSE when programming, the closing pressure can also be individually adapted to the structural conditions

1) Special fitting required



A 550 L S10606-00001

- 550 N pull and pushing force
- Motor carriage with integrated radio receiver (FM 868.95 MHz SOMloq2, 20 radio memory positions)
- LED lighting in the motor carriage
- Pre-programmed Pearl Twin 2-command handheld transmitter (# S10019-00003)
- 3-piece rail, motor carriage, ceiling control unit, ceiling suspension unit, attachment to header, push arm, door bracket and mounting material



A 800 XL S10607-00001

- 800 N pull and pushing force
- Motor carriage with integrated radio receiver (FM 868.95 MHz SOMloq2, 20 radio memory positions)
- LED lighting in the motor carriage
- Pre-programmed Pearl Twin 2-command handheld transmitter (# S10019-00003)
- 3-piece rail, motor carriage, ceiling control unit, ceiling suspension unit, attachment to header, push arm, door bracket and mounting material



More convenience

- absolutely trouble-free radio operation due to 868 MHz radio frequency
- modern, ergonomic hand transmitter design in very small encapsulation
- integrated antenna
- very easy programming of the hand transmitter by radio
- pre-mounted drive for easy assembly
- gentle running, opens and closes extremely quietly

More security

- highest radio security thanks to 74 trillion codes through permanent code swap system
- fully automatic power sensing
- door status sensing when a warning light is connected
- self-locking transmission is also effective during long-term power failures
- connection facilities for safety devices such as a light barrier, warning light and safety contact strip

More quality

- the jointly operating motor (direct drive) provides an extremely quiet and smooth operation without friction
- minimum space requirement thanks to compact design
- Made in Germany
- TÜV, CE and type approved under European radio regulations
- maintenance-free technology



APERTO baseline⁺

2950V001

- 400 N pull and pushing force
- set incl. 1 pc. transmitter





Garage door operators

Technology

- Operator system developed by SOMMER:
 - single-track tensioned chain
 - travelling motor carriage for longer service life
- SLS – Safety Lock System (the emergency release can be engaged and disengaged in every position of the door and provides security, for example, in the event of a power failure)
- Self-locking motor, thus more secure against break-ins, no additional locking mechanism required
- Very quiet opening and closing

Microprocessor/control unit

- Integrated radio receiver
- Obstacle detection and partial or full reversion when the operator hits an obstacle
- Accident prevention by means of electronically-regulated force measurement with DPS (Dynamic Power System)
- Controlled soft run in ramp form without power loss

Installation

- The operators are already pre-assembled and quickly installed, saves time and money
- Simple setting of the movement range
- Ceiling suspension bracket, steplessly adjustable both horizontally and vertically
- Easy shortening and lengthening of the track, more flexibility on the construction site
- Easy chain tensioning

More than 5,000 door-operator combinations with SOMMER garage door operators and doors from well-known manufacturers are certified.

You can find the current reference list here:

www.som4.me/cgdo



Overview of garage door operators (SOMloq2 FM 868.95 MHz)



Technical data and connection options on the motor carriage

A 550 L, A 800 XL, SOMMER base⁺, SOMMER pro⁺, SOMMER tiga, SOMMER tiga⁺

Operator unit	A 550 L	A 800 XL	S 9060	S 9080	S 9110
Max. pull and pushing force	550 N	800 N	600 N	800 N	1,100 N
Max. door width/door height ¹⁾ with:					
Sectional door	3,500 mm/2,500 mm	6,000 mm/2,500 mm	4,500 mm/2,500 mm	6,000 mm/2,500 mm	8,000 mm/2,500 mm
One piece door	3,500 mm/2,750 mm	6,000 mm/2,750 mm	4,500 mm/2,750 mm	6,000 mm/2,750 mm	8,000 mm/2,750 mm
Up-and-over door	3,500 mm/2,050 mm	6,000 mm/2,050 mm	4,500 mm/2,050 mm	6,000 mm/2,050 mm	8,000 mm/2,050 mm
Hinged double door ²⁾	-	-	2,800 mm/2,500 mm	2,800 mm/2,750 mm	2,800 mm/3,000 mm
Side-opening sectional door/ Side-opening door ³⁾	2,500 mm (4,500 mm)/ 2,300 mm	2,500 mm (5,750 mm)/ 2,800 mm	2,500 mm (4,500 mm)/ 2,500 mm	2,500 mm (5,750 mm)/ 2,750 mm	2,500 mm (6,850 mm)/ 3,000 mm
Travel length (standard)	2,750 mm	2,750 mm	2,750 mm	2,750 mm	2,750 mm
Max. travel length extended	4,900 mm 2× extensions (1,096 mm)	6,000 mm 3× extensions (1,096 mm)	4,900 mm 2× extensions (1,096 mm)	6,000 mm 3× extensions (1,096 mm)	7,100 mm 4× extensions (1,096 mm)
Max. door weight	100 kg	140 kg	120 kg	160 kg	200 kg
Max. running speed ⁴⁾	200 mm/s	180 mm/s	240 mm/s	210 mm/s	180 mm/s
Power consumption (power-saving mode)	< 3 W	< 1 W	< 1 W	< 1 W	< 1 W
Duty cycle after S3 in %	40	40	40	40	40
Number of radio memory positions	20	20	40	40	40
Max. recommended no. of parking spaces	-	-	30	50	30
Motor carriage					
Operator lighting LED	✓ (3 LEDs)		✓ (6 LEDs)		
Lock slot	-		✓		
Memo slot	-		✓ (Expands the radio memory to 450 handheld transmitter commands)		
Senso slot	-		✓		
Buzzer slot	✓		✓		
Laser slot	-		✓		
Motion slot	-		✓		
OSE/8k2 connection	-		✓		
Wicket door contact connection	✓		✓		
Serial interface for Delta Dore X3D module or HomeLink radio receiver module	✓		✓		
Output 12 V, 100 mA	-		✓		

1) The values may differ depending on the installation position. 2) Only possible with SOMMER pro⁺! Separate hinged double door fitting required.

3) Side-opening sectional doors and side-opening doors wider than 2,500 mm can be implemented with the corresponding number of extensions. 4) Measured without door.

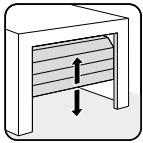
Wall or ceiling control unit connection options

Type	A 550 L	A 800 XL	SOMMER base ⁺	SOMMER pro ⁺	SOMMER tiga	SOMMER tiga ⁺
Ceiling control unit	✓	✓	✓	-	-	-
Wall control unit	-	-	-	✓	✓	✓
Accu slot	-	✓	✓	✓	✓	✓
Keypad slot for foil keypad pro ⁺ /Conex	✓	✓	✓	✓	-	-
Relay slot / Output OC	✓	✓	✓	✓	✓	-
Light slot for additional LED lighting Lumi ⁺ /Lumi pro ⁺	✓	✓	✓	✓	-	-
Pulse button connection	✓	✓	✓	✓	-	-
Button 2 connection (partial opening)	-	✓	✓	✓	-	-
Button connection (interior request side)	-	-	-	-	✓	✓
Button connection (exterior request side)	-	-	-	-	✓	✓
Warning light connection	✓ (24 V / max. 25 W)	✓ (24 V / max. 25 W)	✓ (24 V / max. 25 W)	✓ (24 V / max. 25 W)	✓ (24 V / max. 3 W)	✓ (24 V / max. 3 W)
2-/4-wire photocell connection; door CLOSE; DC 24 V	✓	✓	✓	✓	✓	✓
4-wire photocell connection; door OPEN; DC 24 V	-	-	-	-	-	✓
OSE/8k2 connection; door CLOSE	-	-	-	-	-	✓
OSE/8k2 connection; door OPEN	-	-	-	-	-	✓
Red traffic light connection; interior/exterior; 24 V / 7 W	-	-	-	-	✓	✓
Red-green traffic light connection; interior/exterior; 24 V / 7 W	-	-	-	-	-	✓
Memo tiga slot	-	-	-	-	✓	✓
Connection for MUFU1 multifunction relay	-	-	-	-	✓	✓
Connection for MUFU2 multifunction relay	-	-	-	-	-	✓
Safety connection (e.g. for emergency stop)	-	-	-	-	✓	✓
Alarm connection (potential-free NO contact of a fire alarm system)	-	-	-	-	-	✓
Timer contact connection (interior request side)	-	-	-	-	-	✓
Timer contact connection (exterior request side)	-	-	-	-	-	✓
Induction loop connection (potential-free contact of a separate evaluation unit)	-	-	-	-	-	✓
Output DC 24 V, 100 mA	✓	✓	✓	✓	✓	-
Output DC 24 V, 300 mA	-	-	-	-	-	✓

Checklist for garage door operators

Garage door type

Sectional door



Door with single segments which move along rails from the perpendicular to the horizontal position.

- When the door is closed, is the top roll positioned above the curve of the door? (double rail)
- Is the last roll below the curve of the door? (single rail)



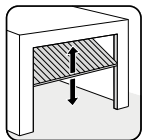
For sectional doors with a single rail, a sectional door fitting with boomerang # 3101 is required.

One piece door



The garage door can be opened and closed by pulling or pushing horizontally on the top edge of the door.

Up-and-over door



Retractable door which is guided in the frame in a perpendicular rail.



A curved arm # 1500V000 is required for this door type.

Side-opening sectional door/ Side-opening door



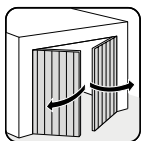
Where is the last segment positioned when the door is closed?

- in the curve
- after the curve



A side-opening sectional door fitting # 3103 is required in the case of ceiling mounting for this door type.

Hinged double door



What is the width of each door leaf seen from the inside?

Left leaf: _____ mm Right leaf: _____ mm

Free space behind the opened door leaf:

- > 500 mm
- ≤ 500 mm



Only possible with outward-opening doors!

A swing door fitting # S10171-00002 an SOMMER pro+ garage door operator is required for this door type.

Door mechanism



The door system must comply with the current door product standard.

Checklist for garage door operators

Special features

Does the garage have a separate entrance?

- Yes
 No

Does the garage door have a wicket door?

- Yes
 No

Is the garage an underground or collective garage?

- Yes
 No

If so, with how many spaces?

Is a two-way traffic control required?

- Yes
 No

Position of the door lock:

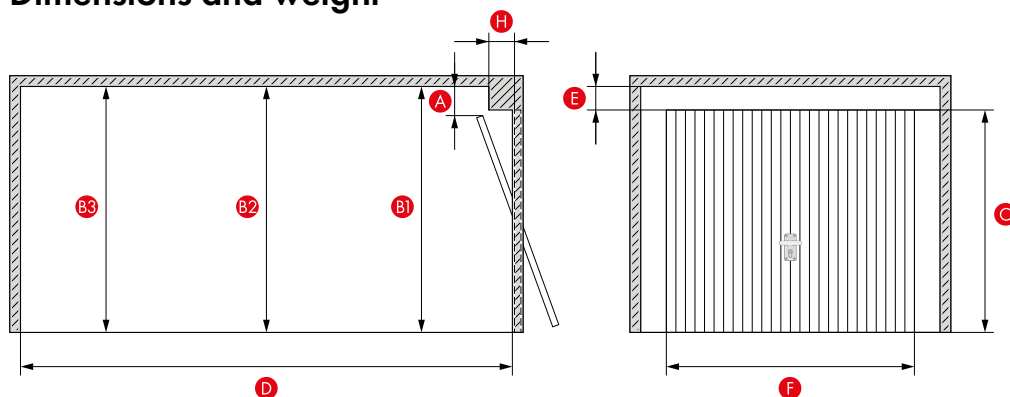
- bottom
 top
 side

Name of door manufacturer:

Door type (manufacturer's designation):

Year of manufacture of the door:

Dimensions and weight



Please enter the position of beams in the sketch, including the dimensions in mm.

A Distance between highest running point of the door and garage ceiling (for side-opening doors, between side wall and door): _____ mm

B1 Garage height at the front: _____ mm

B2 Garage height at the centre: _____ mm

B3 Garage height at the rear: _____ mm

B3 Door height: _____ mm

D Garage depth: _____ mm

E Lintel height: _____ mm

F Door width: _____ mm

H Distance (between inner edge of door and inner edge of lintel): _____ mm

Door leaf weight: _____ kg

Accessories

- | | |
|---|------------------------------------|
| <input type="checkbox"/> Handheld transmitter
_____ pcs. | <input type="checkbox"/> Photocell |
| <input type="checkbox"/> Telecody ⁺ | <input type="checkbox"/> Senso |
| <input type="checkbox"/> Access systems | <input type="checkbox"/> Lock |
| <input type="checkbox"/> Key switch | <input type="checkbox"/> Buzzer |
| <input type="checkbox"/> Flush-mounted | <input type="checkbox"/> Motion |
| <input type="checkbox"/> Surface-mounted | <input type="checkbox"/> Laser |
| | <input type="checkbox"/> Relay |

Company stamp/customer number _____
(The customer number is required for processing.)



Simply fill in the checklist, enter your contact data and submit to SOMMER together with your inquiry. You can download the checklist at www.som4.me/chkl.

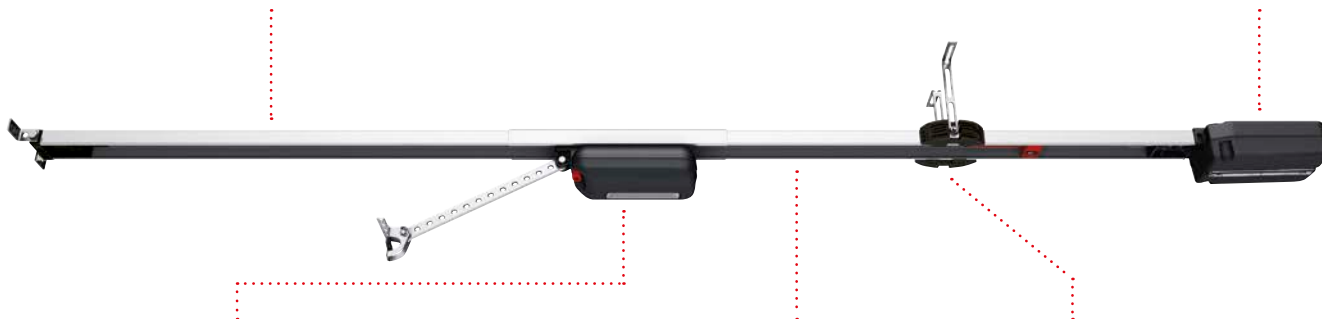
SOMMER base⁺

Track

- The rail unit (standard equipment) opens sectional doors up to a height of 2,500 mm, one piece doors up to a height of 2,750 mm
- With rail extensions, even taller doors can be opened
Rail extension 543 mm #S10868-00001
Rail extension 1,096 mm #10460V000

Ceiling control unit connection option

- Pulse button
- Warning light DC 24 V, max. 25 watt
- 2- or 4-wire photocell
- Additional light slot (Lumi⁺)
- Additional light relay slot
- Battery pack slot



Additional connection options directly on motor carriage

- Connection for wicket door contact
- Connection for safety contact strip OSE or 8k2

Chain

- High-quality fixed chain (galvanic nickel-plated)
- Wear- and maintenance-free, pre-tensioned via springs with high tensile strength

Ceiling suspension unit

- Easy to install and versatile

Quality

- Universal operator for sectional doors, overhead doors, one piece doors, up-and-over doors¹⁾ and side-opening sectional doors
- Integrated LED technology: durable, energy-saving and efficient lighting
- Saves power: <1 watt standby
- Made in Germany

Flexibility

- Numerous accessories for expansion, (e.g. Memo memory extension, Senso humidity sensor, Lock locking magnet, Lumi⁺ additional LED lighting)
- Motor carriage can be removed without disassembling the rail
- Easy shortening or lengthening of the rail

Security

- Motor with high self-locking and active counter-pressure in all positions in the event of an attempted break-in
- Connection option for battery pack for emergency operation in the event of a power failure
- Locking magnet for motor (secure against break-ins), locks in any position, even during ventilation function, partial opening and door OPEN final position (Lock # 1651V000 available as an option)
- Thanks to the integrated emergency release, the motor carriage can be engaged and disengaged in any position
- Bidirectional, secure radio system SOMloq2 thanks to 128-bit AES encryption

Intelligence

- Automatic learning process: self-learning force curve with continual adjustment, e.g. summer/winter mode
- Optimised speed profiles for quick opening and secure closing
- Operation compliant with standards
- Automatic calibration of door operation through direct entry of measured operating forces
- Pre-selectable door types via DIP switch
- Active braking for moving doors
- Numerous setting and querying options via SOMlink
- Gear-saving soft start and soft stop
- Automatic end position detection in door CLOSE when programming, the closing pressure can also be individually adapted to the structural conditions
- Serial interface for the Delta Dore X3D module or Homelink radio receiver module



You can find further information at www.base.sommer.eu.

1) Special fitting required



SOMloq2



ACCU READY <1W STANDBY



SOMMER base⁺

- Motor carriage with integrated radio receiver (FM 868.95 MHz SOMloq2, 40 radio memory positions)
- LED lighting in the motor carriage
- Pre-programmed Pearl Vibe 4-command handheld transmitter (# 4019V000) with noticeable feedback of radio commands via vibration
- 3-piece rail, motor carriage, ceiling control unit, ceiling suspension unit, attachment to header, push arm, door bracket and mounting material



S 9060 base⁺ 8700V000

- 600 N pull and pushing force

S 9080 base⁺ 8800V000

- 800 N pull and pushing force

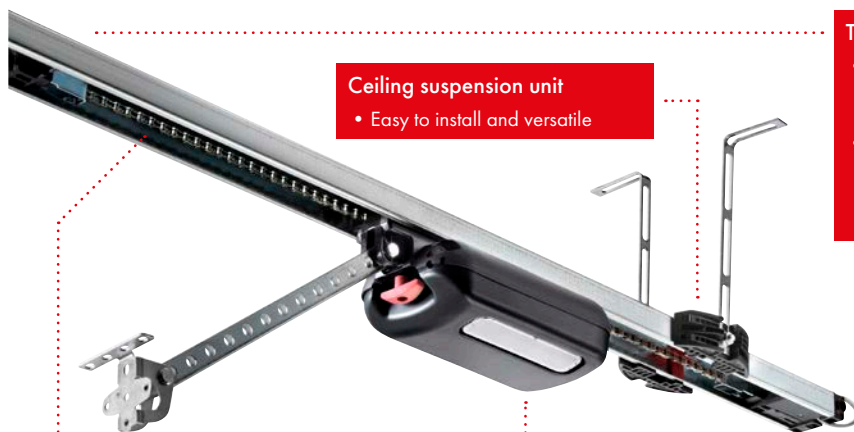
S 9110 base⁺ 8500V000

- 1,100 N pull and pushing force



* You can find the detailed warranty terms at www.sommer.eu.

SOMMER pro⁺



Ceiling suspension unit

- Easy to install and versatile

Track

- The rail unit (standard equipment) opens sectional doors up to a height of 2,500 mm, one piece doors up to a height of 2,750 mm
- With rail extensions, even taller doors can be opened
Rail extension 543 mm # S10868-00001
Rail extension 1,096 mm # 10460V000

Chain

- High-quality fixed chain (galvanic nickel-plated)
- Wear- and maintenance-free, pre-tensioned via springs with high tensile strength

Motor carriage

- Certified restriction of closing forces acc. to EN 12453 by electronic motor monitoring (Ift Rosenheim-certified)

Quality

- pro⁺ is the innovative successor to the successful base⁺ garage door operator from SOMMER: Now even more flexible and convenient due to the separate control unit housing
- Universal operator for sectional doors, overhead doors, one piece doors, up-and-over doors¹⁾, hinged double doors¹⁾ and side-opening sectional doors
- Integrated LED technology: durable, energy-saving and efficient lighting
- Saves power: < 1 watt standby
- Made in Germany

Versatility

- Numerous accessories for expansion, (e.g. Memo memory extension, Senso humidity sensor, Lock locking magnet, Lumi⁺ additional LED lighting)
- 2 integrated control buttons in the control unit housing for activating the door and the lighting/partial opening function or "Defined opening" and "Defined closing"
- Additional connection options directly on the motor carriage (wicket door contact and safety contact strip OSE or 8k2)
- Universal power supply to the rail (can either be from the front or the rear)
- Motor carriage can be removed without disassembling the rail
- Short cable runs with wall mounting for external accessories (photocell, warning light, external buttons, ...)

Security

- Motor with high self-locking and active counter-pressure in all positions in the event of an attempted break-in
- Connection option for battery pack for emergency operation in the event of a power failure
- Locking magnet for motor (secure against break-ins), locks in any position, even during ventilation function, partial opening and door OPEN final position (Lock # 1651V000 available as an option)
- Thanks to the integrated emergency release, the motor carriage can be engaged and disengaged in any position
- Bidirectional, secure radio system SOMloq2 thanks to 128-bit AES encryption

Intelligence

- Automatic learning process: self-learning force curve with continual adjustment, e.g. summer/winter mode
- Optimised speed profiles for quick opening and secure closing
- Operation compliant with standards
- Automatic calibration of door operation through direct entry of measured operating forces
- Pre-selectable door types via DIP switch
- Active braking for moving doors
- Numerous setting and querying options via SOMlink
- Gear-saving soft start and soft stop
- Automatic end position detection in door CLOSE when programming, the closing pressure can also be individually adapted to the structural conditions
- Serial interface for the Delta Dore X3D module or Homelink radio receiver module

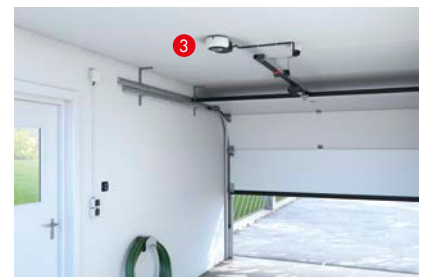


You can find further information at www.pro.sommer.eu.

1) Special fitting required

Flexibility

- Separate control unit housing for installing on the wall or ceiling, depending on your requirements. The existing power outlet in the garage is optimally suited for the power supply
- When installing the separate control unit housing on the wall, the interior push-buttons are a convenient distance from the exit door
- The control unit housing, which can be installed separately, makes an additional power socket and complex electrical work unnecessary



The control unit can be mounted at the rear **1**, at the front **2** or on the ceiling **3**.

SOMMER pro⁺

- Motor carriage with integrated radio receiver (FM 868.95 MHz SOMloq2, 40 radio memory positions)
- Control unit housing with two integrated interior push-buttons
- LED lighting in the motor carriage
- Pre-programmed Pearl Vibe 4-command handheld transmitter (# 4019V000) with noticeable feedback of radio commands via vibration
- 3-piece rail, motor carriage, control unit housing, ceiling suspension unit, attachment to header, push arm, door bracket and mounting material



S 9060 pro⁺ S10154-00001

- 600 N pull and pushing force

S 9080 pro⁺ S10155-00001

- 800 N pull and pushing force

S 9110 pro⁺ S10156-00001

- 1,100 N pull and pushing force



* You can find the detailed warranty terms at www.sommer.eu.

Accessories for garage door operators



Create your own optional value-added product

The modular system structure allows you to expand garage door operators with the SOMloq2 radio system with a wide range of accessories. All accessories are easy to install, as the slots are colour-coded and labelled.



Lock

1651V000

- Locking magnet, pluggable, Plug & Play
- Locks the operator mechanically in any position (ventilation, partial opening, door OPEN and door CLOSE) up to an attack force of 300 kg
- For SOMMER base⁺, pro⁺, tigo and tigo⁺



Senso

10371

- Humidity sensor, pluggable, Plug & Play
- Provides a sensor-controlled ventilation function for the reduction of mould in your garage
- Records the temperature and air humidity in the garage
- If required, the door is automatically opened by the motor carriage, ensuring perfect circulation
- When the optimum value is reached, the door is closed
- For SOMMER base⁺, pro⁺ and RDC Vision⁺



Memo

10373

- Memory extension, pluggable, Plug & Play
- Expands the radio memory to 450 handheld transmitter commands
- Automatic transfer of the handheld transmitter commands from the internal memory of the operator to the Memo
- Simple data backup and transfer of handheld transmitter commands to a new operator if service is required
- Allows the use of transmitter management Codemaster⁺
- For products with radio system SOMloq2 and a Memo slot

Accessories for garage door operators

Buzzer

7043V000

- Alarm/warning buzzer, pluggable, Plug & Play
- Can be used as an alarm buzzer reporting a break-in attempt, a warning buzzer during the closing process or a warning buzzer which sounds when the wicket door is open
- Issues an acoustic signal
- Pre-warning before the closing process can be set (pulsating beeping tone during the pre-warning time)
- The duration of the tone when the wicket door is open can be set. This allows use as a passage detector.
- For SOMMER base⁺, pro⁺, tiga, tiga⁺, A 550 L, A 800 XL, RDC Vision⁺ and barriers with SOMloq2 radio system



Laser

10378

- Parking position laser, pluggable, Plug & Play
- Allows precise parking in the garage, even without a parking assist system
- Incl. reflection mirrors and mounting materials
- For SOMMER base⁺ and pro⁺



Motion

S10343-00001

- Motion detector with passive infrared sensor, Plug & Play
- The operator lighting is automatically switched on in the motor carriage when you enter the garage
- If Lumi⁺, Lumi pro⁺ or Relay are used, they are also activated
- For SOMMER base⁺, pro⁺, tiga and tiga⁺



Adapter for push arm

NEW

S11511-00001

- Adapter for attaching Buzzer, Laser or Motion to push arms with a material thickness of up to 5 mm



Lumi⁺

7041V000

- Additional LED lighting
- DC 24 V, 4 W; corresponds approximately to the light from a 60 W bulb
- Colour: cold white
- For SOMMER base⁺, A 550 L and A 800 XL ceiling control unit



Lumi pro⁺

S10205-00001

- Additional LED lighting
- DC 24 V, 4 W; corresponds approximately to the light from a 60 W bulb
- Colour: cold white
- For SOMMER pro⁺ wall control unit



Accessories for garage door operators



Lumi Strip lighting

S11479-00001

- LED door leaf lighting
- Inconspicuous, narrow design
- LED board sealed in plastic housing
- DC 24 V, 4.5 W
- Colour: cold white (6 LEDs)
- 8 m connection line
- Dimensions: 287 × 8 × 17.2 mm (L × W × H)
- An optional Relay or Output OC may be required.



Lumi Stick lighting

NEW

S11584-00001

- LED door leaf lighting for the door leaf or as ambient lighting in the door or fence post
- Inconspicuous design with star-shaped radiation through diamond-shaped geometry
- DC 12–24 V, max. 0.6 W
- Colour: cold white



Lumi Line lighting

NEW

S12056-00001

- LED lighting for the crossbar or rail unit of the garage door
- DC 24 V, 18 W
- Colour: cold white
- 6 m connection line
- Dimensions: 1,240 × 25 × 25 mm (L × W × H)
- Incl. Output OC and mounting material
- For SOMMER base⁺, pro⁺, A 550 L and A 800 XL



Accu

S10523-00001

- Provides emergency power supply for the operator for 12 hours and 5 door cycles (OPEN/CLOSE)¹⁾
- 700 mAh; 24 V
- Integrated charging electronics with plug connection
- Simple installation in the position provided in the operator housing
- For SOMMER base⁺, pro⁺, tiga and A 800 XL

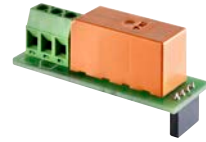
¹⁾ The performance of the battery is influenced by the external operational conditions. The data may therefore vary from the specified data.

Accessories for garage door operators

Relay

7042V000

- Relay, pluggable, Plug & Play
- Potential-free changeover contact
- For activating external lighting or querying the door status
"Door closed" / "Door not closed"
- With the SOMMER tiga, the relay can be used as a multi-function relay
- Only lighting function with A 550 L
- AC 250 V, max. 5 A
- DC 24 V, max. 5 A
- For SOMMER base⁺, pro⁺, tiga, A 550 L, A 800 XL, RDC Vision⁺ and barriers with SOMloq2 radio system



Output OC

S10854-00001

- Pluggable, Plug & Play
- Contact-free switching
- Open collector output
- Transmission of a static signal for display of the door status
"Door closed" / "Door not closed" to Smart Home systems or for activation of additional lighting with 24 V
- Only lighting function with A 550 L
- max. 18 W
- DC 24 V, max. 750 mA
- For SOMMER base⁺, pro⁺, A 800 XL, RDC Vision⁺ and barriers with SOMloq2 radio system



Conex

S10807-00001

- Pluggable, Plug & Play
- Allows connection of a 2-contact pulse transmitter (e.g. button)
- Operating mode: Pulse mode/lighting or "Defined opening" / "Defined closing"
- For SOMMER base⁺, pro⁺ and A 800 XL



Wallstation (2-wire)

S10834-00001

- 3-command interior wall switch (surface-mounted)
- Offers three functions:
 - Open, stop and close the door
 - Switch lighting on and off
 - Locking function for radio, external buttons and ventilation function (holiday function)



Surface-mounted push-button set

3113

- White, 1-contact, incl. 7.5 m cable



Accessories for garage door operators

Special fittings



Bracket for door set, Type H

S10228-00001

- For sectional door (panel thickness 40 mm) and one piece door Type H
- Dimensions of door bracket: 100×62.5×16 mm
- Incl. screws and Ben bolt

Bracket for door set, Type G

S10994-00001

- For sectional door Type G
- Dimensions of door bracket: 100×64×16 mm
- Incl. screws and Ben bolt

Bracket for door set, Type RO

S11111-00001

- For sectional door Type RO
- Dimensions of door bracket: 130×75×25 mm
- Incl. screws and Ben bolt

Bracket for door set, Type TT

NEW

S11298-00002

- For sectional door and one piece door Type TT
- Dimensions of door bracket: 120×65×20 mm
- Incl. screws and Ben bolt

Bracket for door set, flat type

S11112-00001

- For sectional doors
- With slots
- Dimensions of door bracket: 130×55 mm
- Incl. screws and Ben bolt

Bracket for door set, Type S1

1650V000

- Incl. screws and Ben bolt
- Door bracket, one-piece

Bracket for door set, Type S2

S10201-00001

- Incl. screws and Ben bolt
- Complete door bracket

Push arm hole spacing 700 mm

S10570-00001

- Dimensions: 720×10 mm
- Galvanised

Accessories for garage door operators

Special fittings

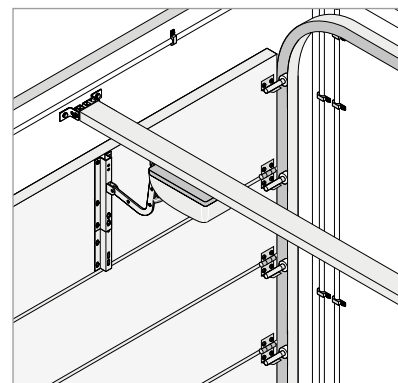
Sectional door fitting with boomerang 3101

- Length adjustable for sectional doors with single rail



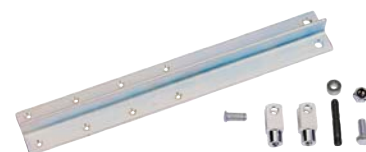
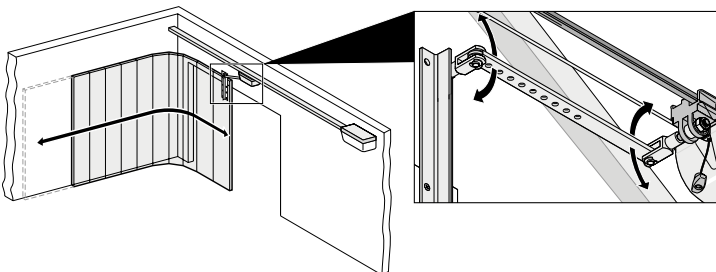
Sectional door fitting without boomerang 3102

- Length adjustable for sectional doors with double rail
- Gentle force transmission, e.g. for large doors



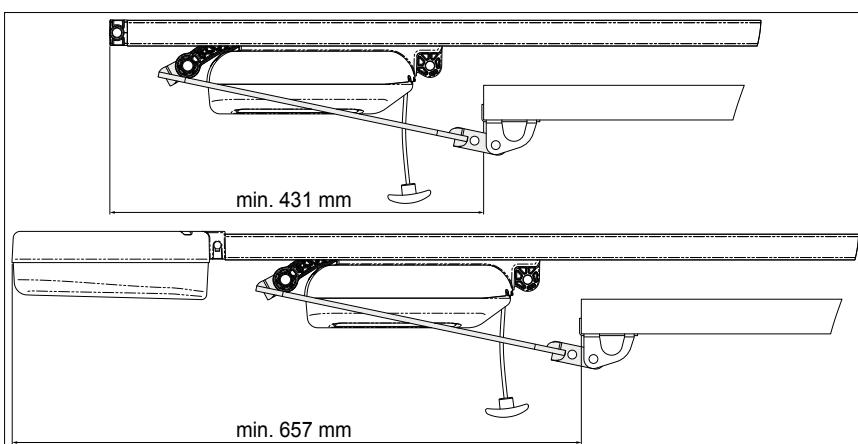
Side-opening/side-opening sectional door fitting 3103

- For ceiling mounting with side-opening door or side-opening sectional door



Low headroom bracket set 7044V000

- Special fitting for doors with a low lintel height or torsion spring at the rear
- Reduces the distance from the motor carriage to the door leaf by approx. 24 cm
- Incl. rear GTA coupler connection
- For SOMMER base⁺, pro⁺, tiga⁺, A 550 L and A 800 XL



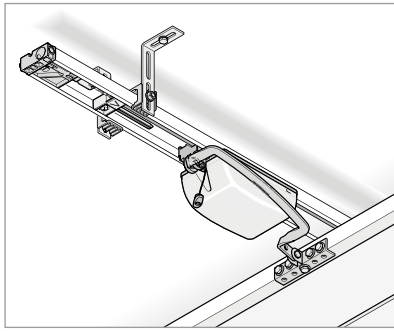
GTA coupler connection S10741-00000

- For a second connection point at the back of the motor carriage
- For push arms up to 10 mm wide
- For SOMMER base⁺, pro⁺, tiga⁺, A 550 L and A 800 XL



Accessories for garage door operators

Special fittings



Low headroom bracket

3122V000

- Special fitting for doors with a low lintel height or torsion spring at the rear
- Reduces the distance from the motor carriage to the door leaf by approx. 23 cm
- For duo vision and duo rapido⁺

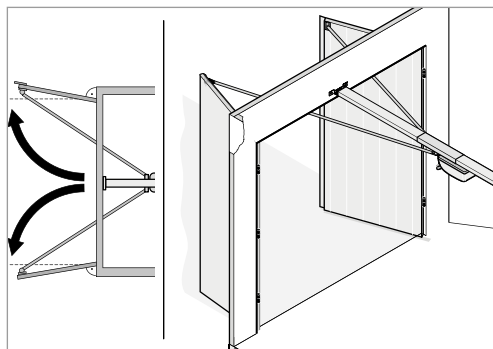


Bracket for hinged double door set

NEW

S10171-00002

- Connection set for automation of hinged double doors with garage door operators
- 2 push rods, one of which with spring-mounted door connection
- Up to a door width of 2,800 mm
- Including additional ceiling bracket and GTA coupler connection
- For SOMMER pro⁺



A longer travel length may be required!



Adjustable push rod, short

3105

- 1,500–2,500 mm long

Adjustable push rod, long

3106

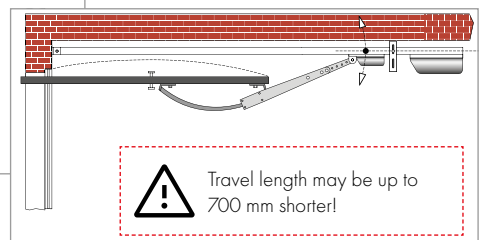
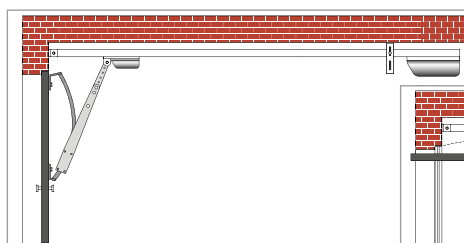
- 2,500–3,500 mm long



Curved arm

1500V000

- For installation on doors with perpendicular guide rail (up-and-over doors)
- The drive-through height is reduced by 170 mm.



Travel length may be up to 700 mm shorter!

Accessories for garage door operators

Emergency release

Emergency release lock

- E.g. For sectional doors, side-opening sectional doors or hinged double doors
- Quick and easy installation: no step drill necessary
- 2,200 mm flat cord; protective cover
- Secure anti-rotation protection: Fixing screws guarantee reliable unlocking at all times
- Small lock with understated design
- All "Masterkey" emergency release locks can be opened with # 5116-100V100



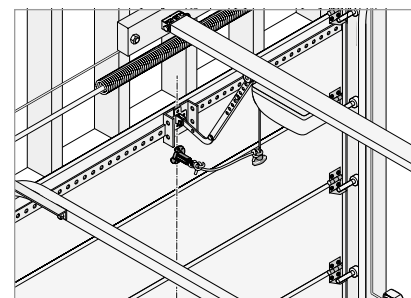
Bore hole: Ø 13 mm, length: 50 mm, "Standard key" 5116V000

Bore hole: Ø 13 mm, length: 50 mm, "Masterkey" 5116V100

Bore hole: Ø 13 mm, length: 70 mm, "Standard key" 5116V003

Bore hole: Ø 18 mm, length: 50 mm, "Standard key" 80103

Bore hole: Ø 18 mm, length: 50 mm, "Masterkey" 80104



Masterkey

5116-100V100

- For emergency release lock # 5116V100 and # 80104



The Masterkey (# 5116-100V100) fits all Masterkey emergency release locks (# 5116V100, # 80104). The Masterkey system is therefore particularly well suited for property managers. The keys provided for the "Masterkey" emergency release locks are not compatible with each other.

Bowden wire for emergency release (standard)

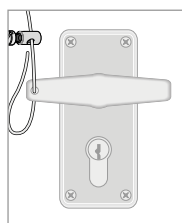
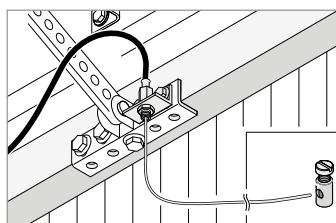
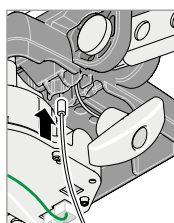
1612

- Wire 2,300 mm / sheath 550 mm

Bowden wire for emergency release (long)

1620

- Wire 5,000 mm / sheath 4,500 mm
- E.g. In the case of installation of curved arm, extended push rod or hinged double door fitting



Accessories for garage door operators

Emergency release



Wicket door safety device

3100

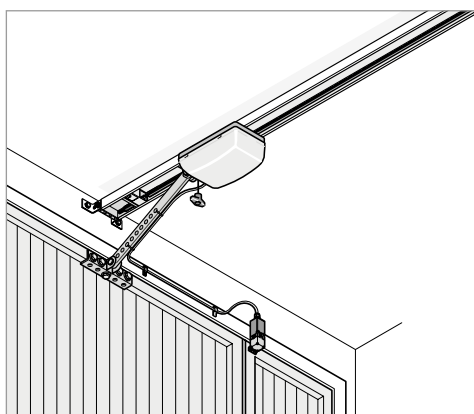
- With assembled cable for connection in the motor carriage



Wicket door safety device with EN approval

3117

- With assembled cable for connection in the motor carriage
- Complies with EN ISO 14119



IP68

Wicket door switch set

NEW

S11474-00001

- For invisible installation directly in the wicket door
- Automatic detection of the wicket door switch by the operator software
- Reed contact
- AC/DC 12–24 V, max. 10 mA
- 5 m connection line
- Complies with EN 12453:2017
- Incl. adhesive socket and cable binders
- For SOMMER base⁺, pro⁺, tiga, tiga⁺, A 550 L and A 800 XL

Accessories for garage door operators

Additional locking mechanism

Additional locking mechanism

1609V001

- For automatic locking and unlocking on doors with spring latches
- With wire 2,500 mm



Spring latch for additional locking mechanism

5030

- For bottom or side door lock
- Suitable for additional locking mechanism # 1609V001



Deflection pulley set

3104V000

- For locking and unlocking



Wire (5,000 mm)

50007

- With clamping device



GTA OSE connection set

S10814-00001

- For connection of the optical safety contact strip without a spiral cable directly on the motor carriage
- Incl. optical transmitter and receiver unit (# 5096V001), cable socket and 7 m connecting cable
- For SOMMER base⁺, pro⁺, tiga and tiga⁺



Security

You can find suitable **safety contact strips** starting on page 151.

Accessories for garage door operators

Rail unit accessories



Rail extension 800 mm

1634V000

- Incl. an additional ceiling suspension unit, connecting sleeve, chain, chain guide and mounting material
- For sprint evolution, duo vision and duo rapido⁺



Rail extension 1,600 mm

1628V000

- Incl. an additional ceiling suspension unit, connecting sleeve, chain, chain guide and mounting material
- For sprint evolution, duo vision and duo rapido⁺



Chain guide fixing point with a master link

5100

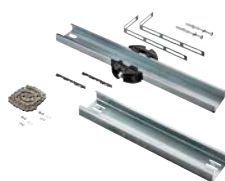
- Prevents the chain sagging when the garage door operator is operated with two or more extensions (>1,600 mm)



Ceiling suspension unit

1613

- Electrical and thermal separation of track and ceiling
- Incl. mounting material
- For sprint evolution, duo vision and duo rapido⁺



Rail extension 543 mm

S10868-00001

- Incl. an additional ceiling suspension unit, connecting sleeve, chain, isolator with magnet and mounting material
- For SOMMER base⁺, pro⁺, tiga, tiga⁺, A 550 L and A 800 XL



Rail extension 1,096 mm

10460V000

- Incl. an additional ceiling suspension unit, connecting sleeve, chain, isolator with magnet and mounting material
- For SOMMER base⁺, pro⁺, tiga, tiga⁺, A 550 L and A 800 XL



Isolator with magnet set

10462V002

- Incl. 3-part master link
- Prevents the chain sagging when the rail is extended
- Fastening is via magnet in the isolator
- For SOMMER base⁺, pro⁺, tiga, tiga⁺, A 550 L and A 800 XL

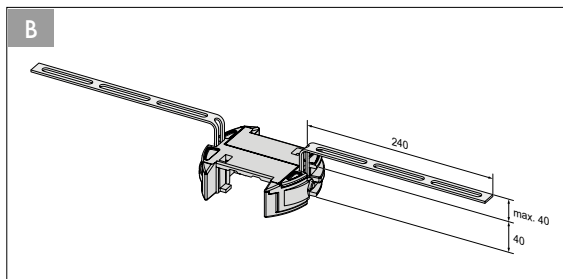
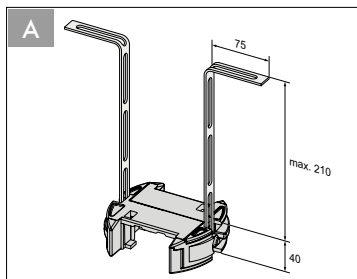
Accessories for garage door operators

Rail unit accessories

Ceiling suspension unit

1646V000

- Electrical and thermal separation of track and ceiling
- Incl. mounting material
- Max. distance to the ceiling: 210 mm
- For SOMMER base⁺, pro⁺, tiga, tiga⁺, A 550 L and A 800 XL



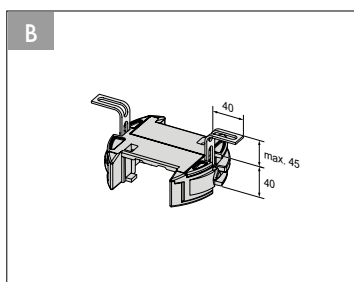
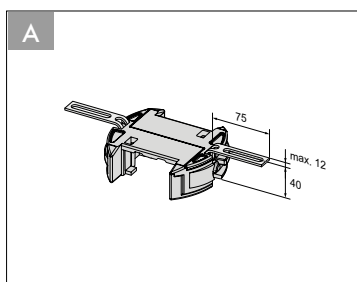
All dimensions are in millimetres; subject to misprints, errors and technical changes.



Ceiling suspension unit

1646V002

- Electrical and thermal separation of track and ceiling
- With short perforated strip steel
- Incl. mounting material
- Max. distance to the ceiling: 12 mm
- For SOMMER base⁺, pro⁺, tiga, tiga⁺, A 550 L and A 800 XL



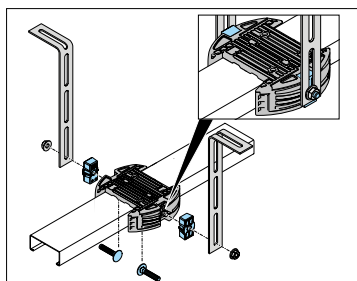
All dimensions are in millimetres; subject to misprints, errors and technical changes.



Insert, ceiling suspension set

S10178-00001

- For use of angle profiles wider than 18 mm for fixing to the ceiling
- Incl. screws
- For ceiling suspension unit #1646V000 and #1646V002



Ceiling holder

5037

- Perforated strip steel
- Dimensions: 1500 × 30 × 2.5 mm (L × W × H)
- Extension for ceiling suspension unit



Accessories for garage door operators

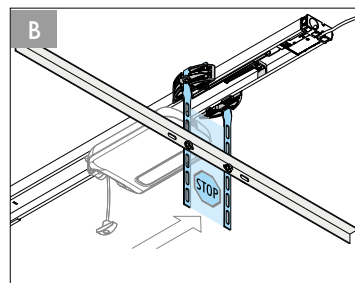
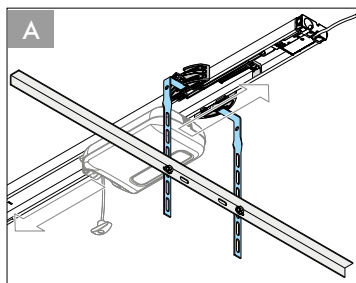
Rail unit accessories



Bracket for door frame

S10355-00001

- For connection of the ceiling suspension unit and crossbar
- For SOMMER base⁺, pro⁺, tiga, tiga⁺, A 550 L and A 800 XL



Mounting bracket

NEW

S11929-00001

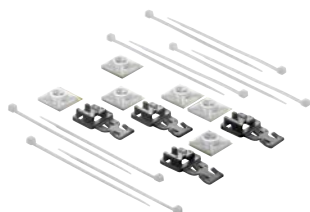
- For installation of the track directly on the ceiling
- Electrical and thermal separation of track and ceiling
- Incl. mounting material
- For SOMMER base⁺, pro⁺, tiga, tiga⁺, A 550 L and A 800 XL



Chain breaker

65296V000

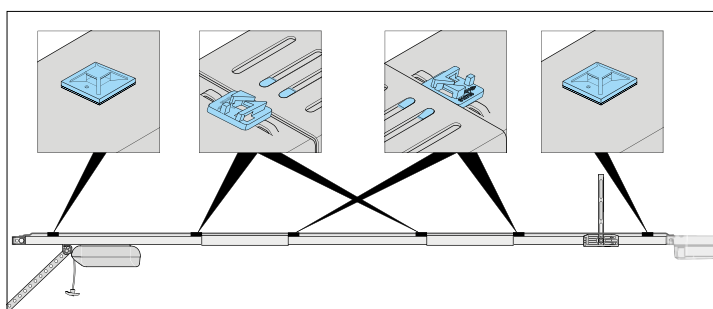
- Tool for quick and easy shortening of chains



Cable holder set

S10940-00001

- For routing and fixing cables via the rail to the control unit housing (e.g. photocell connecting cables)
- Incl. 4× cable holder, 6× adhesive socket and 10× cable tie
- For SOMMER base⁺, pro⁺, A 550 L and A 800 XL



Accessories for garage door operators

Special accessories

duo mounting set

927

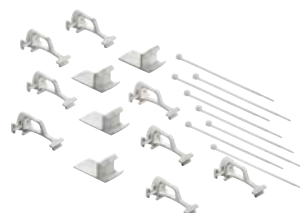
- For mounting the control unit housing directly on the rail
- For duo vision and duo rapido⁺



Cable holder set

S10992-00001

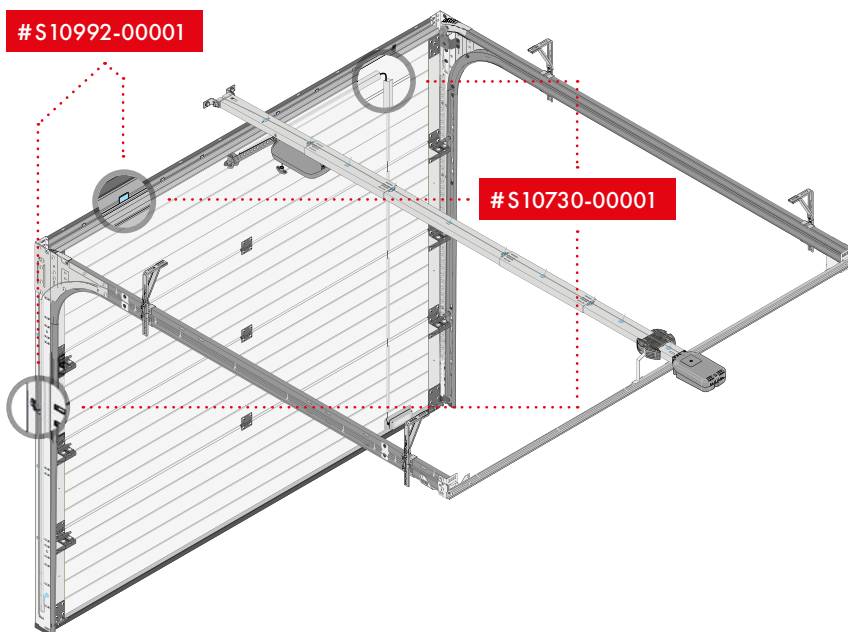
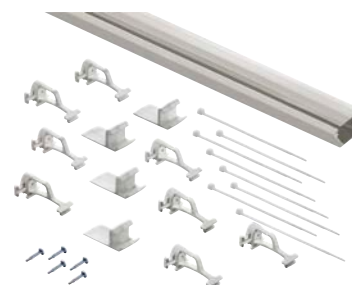
- Cable holders for attaching the cables directly to the door frame and lintel panel
- For frame and lintel panel of the HOME system from DOCO
- Incl. 8× cable holder for door frame, 4× cable holder for lintel and 8× cable binder



Cable routing set

S10730-00001

- For frame and lintel panel of the HOME system from DOCO
- Incl. 1× 1.95 m cable conduit, 1× cable holder set # S10992-00001 and 5× screws



Accessories for garage door operators

Special accessories



Cable conduit set

S10886-00001

- White
- 20 m on reel
- Dimensions: 20,000 × 15 × 15 mm
- Incl. adhesive tape as an installation aid



Adhesive socket set

S10990-00001

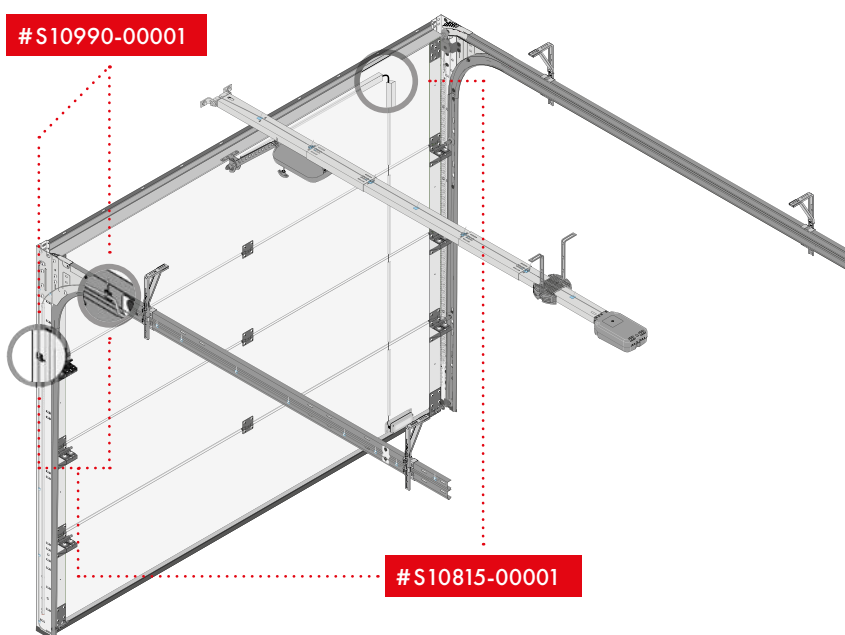
- For routing cables on the door panel and in hard-to-reach places
- Incl. 5 × adhesive socket, 5 × cable binder and 5 × screws



Cable routing set

S10815-00001

- For routing cables on the door panel and in hard-to-reach places
- Incl. 2 × 1,95 m cable conduit, 1 × adhesive socket set # S10990-00001 and 15 × screws



Fixing ties

NEW

S11876-00001

- For routing cables
- For bore holes with $\varnothing 6.5$ mm and sheet thicknesses of 1.5–2.5 mm
- Bag containing 20

Accessories for garage door operators

Illuminants

Light bulb

11010

- 32.5 V / 34 W
- Lampholder BA15s
- For sprint evolution and Aperto 868



Light bulb

11066V000

- 32 V / 18 W
- Lampholder BA15s
- For duo vision and duo rapido+



LED illuminant

10428V000

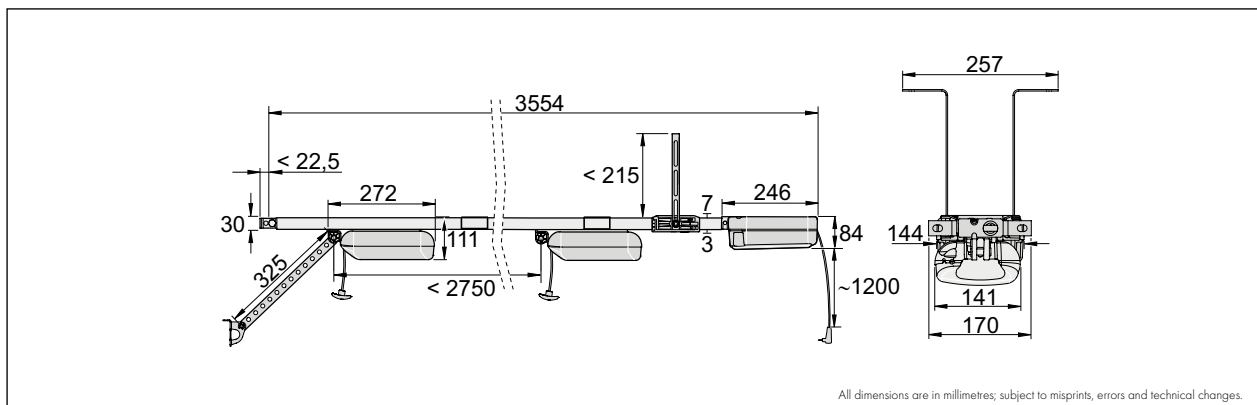
- DC 12–34 V, AC 24 V / 3 W
- Lampholder BA15s
- Colour: cold white
- For sprint evolution, duo vision, duo rapido+, ASB-6010A, ASB-5014A, ASB-5507A and LED warning light



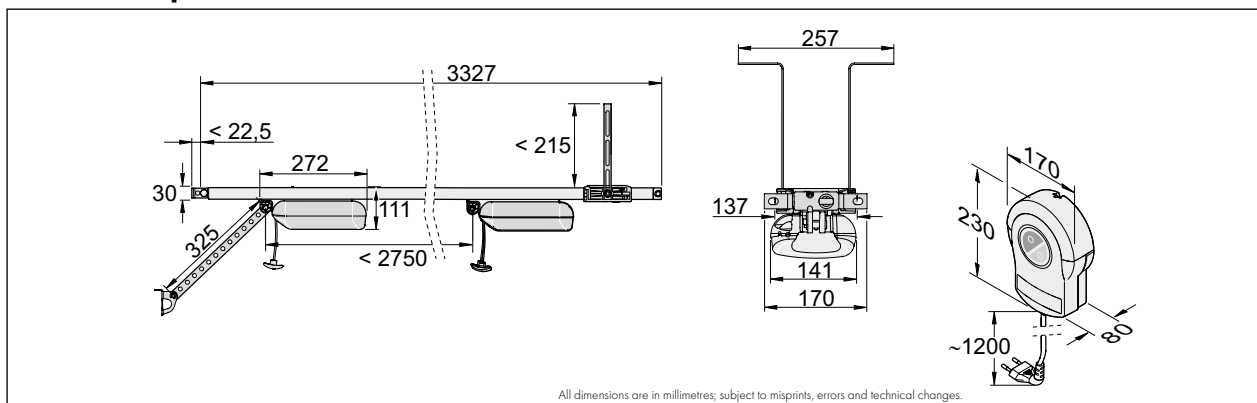
Garage door operators

Dimension drawings

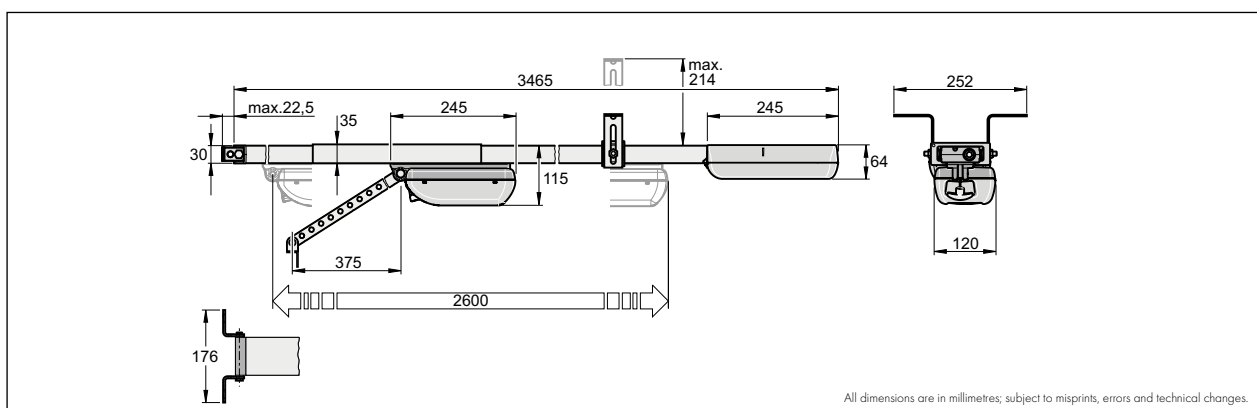
SOMMER base⁺ / A 550 L / A 800 XL



SOMMER pro⁺



APERTO baseline⁺



You can find further design information and CAD drawings at www.som4.me/cad.



SOMMER tiga



The tiga and tiga+ underground garage operators use the same motor carriage. This reduces the storage space and storage costs for spare parts.

SOMMER tiga+



Thanks to the **hop function**, radio receivers with the SOMloq2 radio system are ideal for **increasing the range** and make additional rod antennas unnecessary. There is no need to programme transmitters on the radio receiver.



With intelligent control technology for dealers, there are additional options for easily adjusting features and parameters with a web app using your smartphone or tablet. (SOMlink #7040V000; Page 158)

Underground and collective garage operators

SOMMER tiga/tiga⁺

Quality

- Universal operator for sectional doors, overhead doors, one piece doors, up-and-over doors¹⁾ and side-opening sectional doors
- Chain
 - High-quality fixed chain (galvanic nickel-plated)
 - Wear- and maintenance-free, pre-tensioned via springs with high tensile strength
- Integrated LED technology: durable, energy-saving and efficient lighting
- Saves power: < 1 watt standby
- Made in Germany

Versatility

- Numerous accessories for expansion, for example the **Memo memory extension**, which increases the radio memory positions to 450, or the Motion detector.
- Additional connection options directly on the motor carriage (wicket door contact and safety contact strip OSE or 8k2)
- Universal power supply to the rail (can either be from the front or the rear)
- Motor carriage can be removed without disassembling the rail
- Short cable runs with wall mounting for external accessories (photocell, warning light, external buttons, ...)
- Track
 - The rail unit (standard equipment) opens sectional doors up to a height of 2,500 mm, one piece doors up to a height of 2,750 mm
 - By extending the rail, even taller doors can be opened
Rail extension 543 mm # S10868-00001
Rail extension 1,096 mm # 10460V000
- Easy to install and versatile ceiling suspension unit

Flexibility

- Separate control unit housing for wall installation
- Installation of the control unit will not impede the passing of cars
- Automatic closing function

Security

- Motor with high self-locking and active counter-pressure in all positions in the event of an attempted break-in
- Connection option for battery pack for emergency operation in the event of a power failure
- Locking magnet for motor (secure against break-ins), locks in any position, even during ventilation function, partial opening and door OPEN final position (Lock # 1651V000 available as an option)
- Thanks to the integrated emergency release, the motor carriage can be engaged and disengaged in any position
- Bidirectional, secure radio system SOMloq2 thanks to 128-bit AES encryption
- Certified restriction of closing forces in acc. with EN 12453 by electronic motor monitoring (Ift Rosenheim-certified)

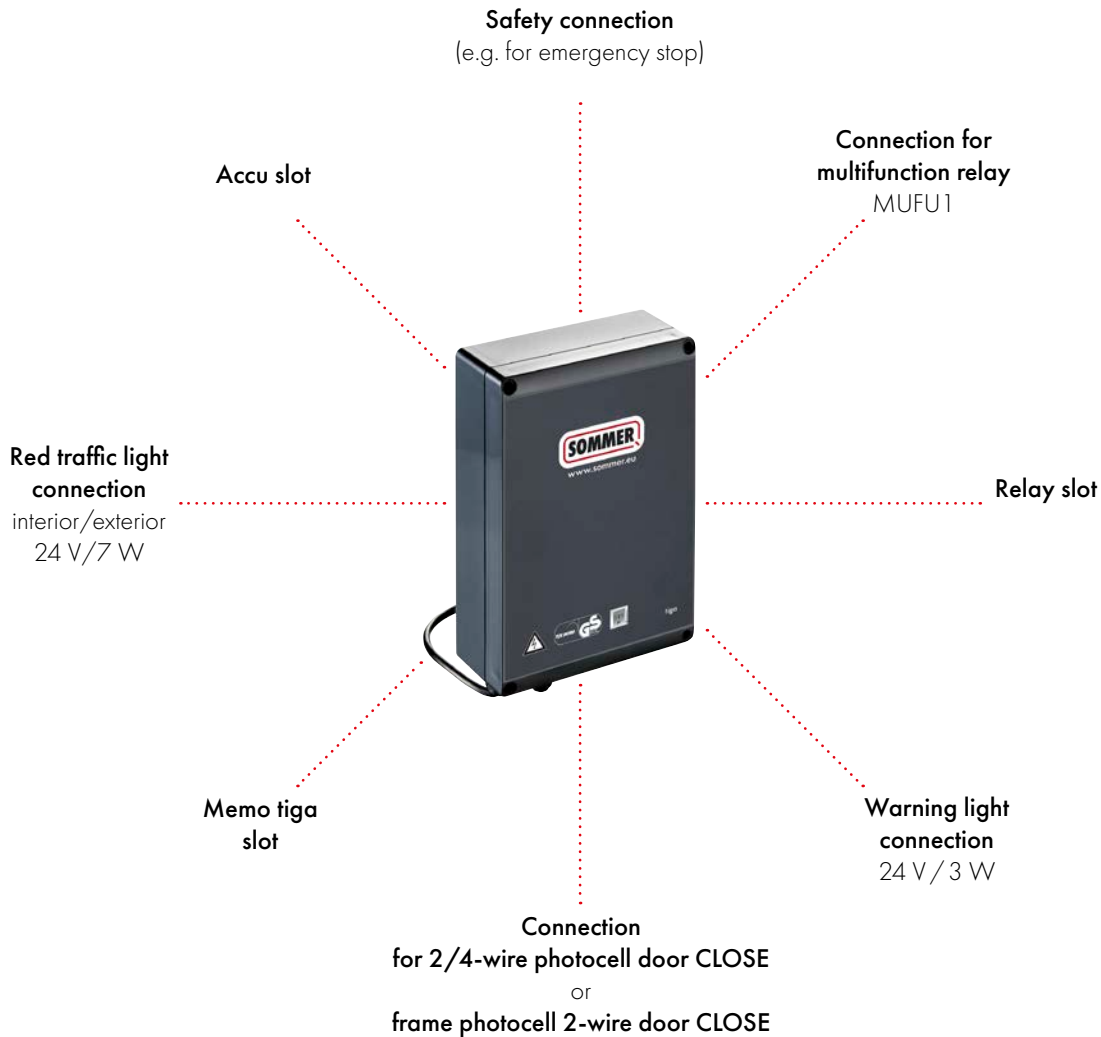
Intelligence

- Automatic learning process: self-learning force curve with continual adjustment, e.g. summer/winter mode
- Optimised speed profiles for quick opening and secure closing
- Secure unit consisting of door and operator in accordance with door standards with **over 3,000 certified door-operator combinations**. You can find the current reference list here: www.som4.me/cgdo.
- Automatic calibration of door operation through direct entry of measured operating forces
- Pre-selectable door types via DIP switch
- Active braking for moving doors
- Numerous setting and querying options via **SOMlink**:
 - Service interface for operators and radio receivers with SOMloq2 radio system
 - Help during start-up, e.g. deleting transmitter or adapting speeds
 - Parametrisation of the operator or radio receiver, e.g. changing lighting duration
 - Reading out, saving and loading system data
 - Visualisation of force curves
 - Programmable service interval
 - Event history providing assistance during servicing
 - Pre-warning time for “opening” and “closing” can be set separately.
 - Hold open time
 - Clearing time
 - Cycle counter can be read out
 - and much more
- Gear-saving soft start and soft stop
- Automatic end position detection in door CLOSE when programming, the closing pressure can also be individually adapted to the structural conditions
- Serial interface for the Delta Dore X3D module or HomeLink radio receiver module

1) Special fitting required

Underground and collective garage operators

SOMMER tiga



Advantages of the control unit

- Pluggable spring-type terminals for easy handling if service is required
- All inputs are equipped with status LEDs
- One connection option each for a button for the interior and exterior request side
- Connection option for a 24 V / 3 W warning light
- Slot for Memo tiga configuration memory (saves e.g. the data from relays and contains an event history). It is already installed at the factory.
- One "Safety" connection (e.g. for emergency stop)
- Slot for additional relay "Relay"
- Connection option for 2/4-wire photocell or a 2-wire frame photocell in door CLOSE direction
- One connection option each for a red traffic light (24 V/7 W) for the interior and exterior request side
- Connection option for potential-free multi-function relay. Up to ten configurations can be set via SOMlink for the multi-function relay.
- DC 24 V, 100 mA output

For further product information, see Page 43.

Underground and collective garage operators

SOMMER tiga



SOMloq2



You can find further information at www.tiga.sommer.eu.

SOMMER tiga

- Motor carriage with integrated radio receiver (FM 868.95 MHz SOMloq2, 40 radio memory positions)
- LED lighting in the motor carriage with 6 LEDs
- 3-piece track, motor carriage, control unit housing (IP54), Memo tiga, ceiling suspension unit, attachment to header, push arm, door bracket and mounting material



S 9060 tiga S10313-00001

- 600 N pull and pushing force

S 9080 tiga S10314-00001

- 800 N pull and pushing force

S 9110 tiga S10315-00001

- 1,100 N pull and pushing force



* You can find the detailed warranty terms at www.sommer.eu.

Underground and collective garage operators

SOMMER tiga⁺



Advantages of the control unit

- Pluggable spring-type terminals for easy handling if service is required
- All inputs are equipped with status LEDs
- One connection option each for a button for the interior and exterior request side
- Connection option for a 24 V / 3 W warning light
- Slot for Memo tiga configuration memory (saves e.g. the data from relays and contains an event history). It is already installed at the factory.
- One "Safety" connection (e.g. for emergency stop)
- Ample space in the housing for additional electronic components (timer, stairwell lights ...)
- Connection option for 2/4-wire photocell or a 2-wire frame photocell in door CLOSE direction and a 4-wire photocell in door OPEN direction
- DC 24 V, 300 mA output
- Connection option for a safety contact strip (OSE or 8k2) in door CLOSE direction and a safety contact strip (OSE or 8k2) in door OPEN direction
- One connection option each for a red and green traffic light (24 V / 7 W) for the interior and exterior request side
→ **One-way traffic control**
- Connection option for two potential-free multi-function relays. Up to ten configurations can be set via SOMlink per multi-function relay.
- Connection option for the potential-free NO contact of a fire alarm system
- One connection option each for a timer contact for the interior and exterior request side
- Connection option for an induction loop (potential-free contact of a separate evaluation unit)

For further product information, see Page 43.

Underground and collective garage operators

SOMMER tiga⁺



SOMMER operator unit

- Motor carriage with integrated radio receiver (FM 868.95 MHz SOMloq2, 40 radio memory positions)
- LED lighting in the motor carriage with 6 LEDs
- 3-piece rail, motor carriage, ceiling suspension unit, attachment to header, push arm, door bracket and mounting material

You can find further information at www.tiga.sommer.eu.



S 9060 operator unit S 10453-00001

- 600 N pull and pushing force

S 9080 operator unit S 10454-00001

- 800 N pull and pushing force

S 9110 operator unit S 10455-00001

- 1,100 N pull and pushing force



tiga⁺ control unit S 10456-00001

- Incl. Memo tiga



* You can find the detailed warranty terms at www.sommer.eu.

Accessories for underground and collective garage operators



Memo

10373

- Memory extension, pluggable, Plug & Play
- Expands the radio memory to 450 handheld transmitter commands
- Automatic transfer of the handheld transmitter commands from the internal memory of the operator to the Memo
- Simple data backup and transfer of handheld transmitter commands to a new operator if service is required
- Allows the use of transmitter management Codemaster⁺
- For products with radio system SOMloq2 and a Memo slot



Memo tiga

10377

- Configuration memory, pluggable, Plug & Play
- Stores up to 10 different configurations of a multi-function relay
- For SOMMER tiga and tiga⁺



Motion

S10343-00001

- Motion detector with passive infrared sensor, Plug & Play
- The operator lighting is automatically switched on in the motor carriage when you enter the garage
- If Lumi⁺, Lumi pro⁺ or Relay are used, they are also activated
- For SOMMER base⁺, pro⁺, tiga and tiga⁺



GTA OSE connection set

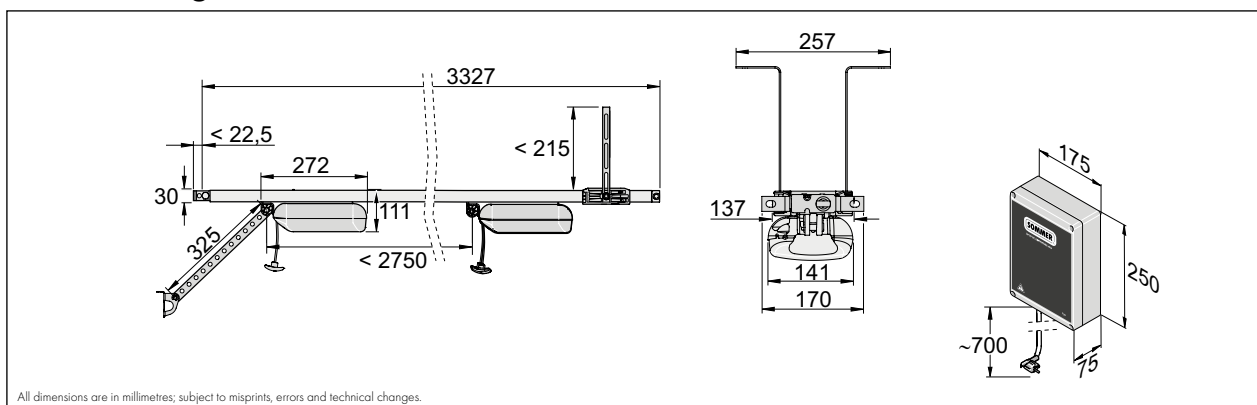
S10814-00001

- For connection of the optical safety contact strip without a spiral cable directly on the motor carriage
- Incl. optical transmitter and receiver unit (# 5096V001), cable socket and 7 m connecting cable
- For SOMMER base⁺, pro⁺, tiga and tiga⁺

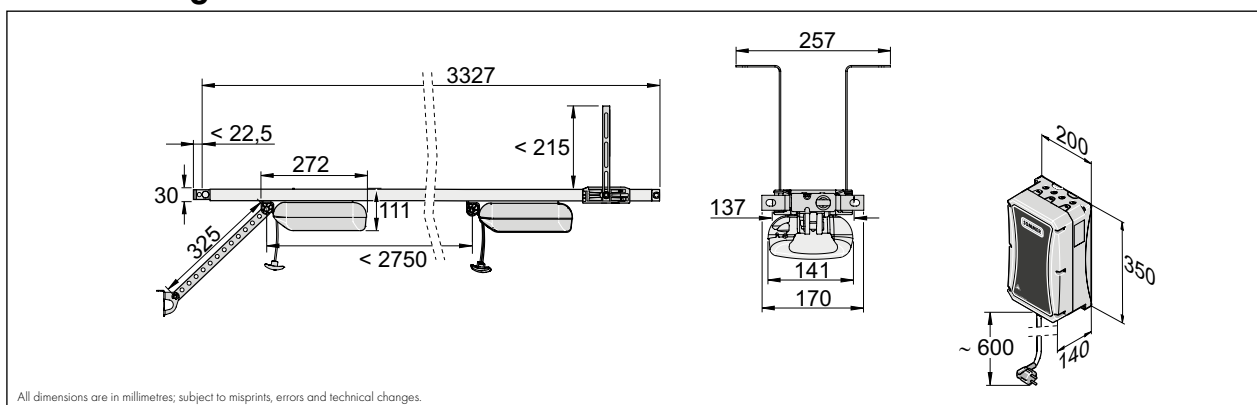
Underground and collective garage operators

Dimension drawings

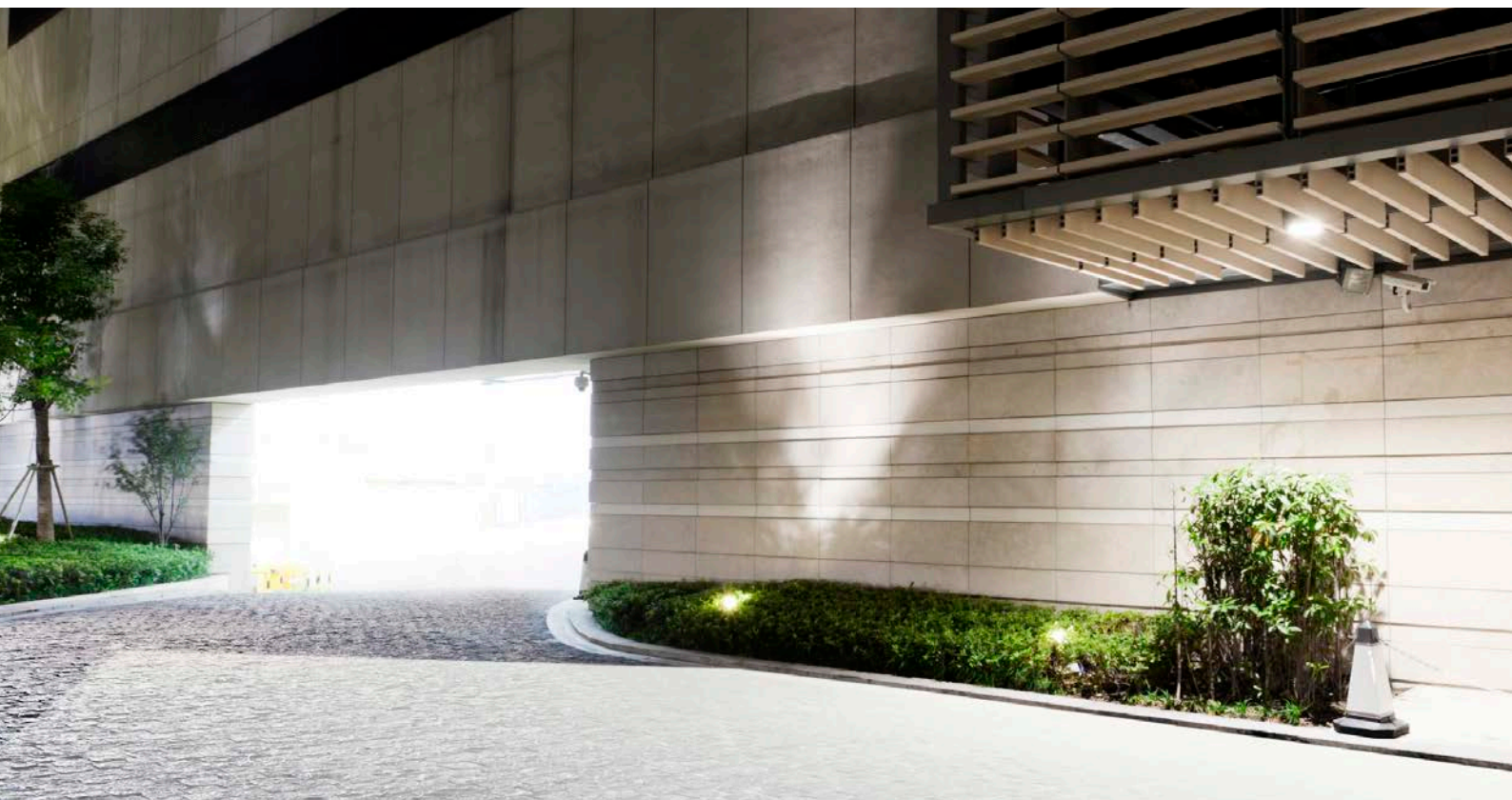
SOMMER tiga



SOMMER tiga⁺



You can find further design information and CAD drawings at www.som4.me/cad.





Swing gate operators

Convenience

Can you imagine watching television without a remote control? Unthinkable nowadays. And yet you still get out of your car, walk to your yard gate, open it laboriously by hand, walk back to your car, drive 5 m and then have to get out and walk back again to close it? Or, to save yourself the trouble, you leave your gate open all the time, allowing anyone access to your property.

There's a better way: with modern swing gate operators. These have long been affordable and quick to install. A simple press of the button is all that is needed, and the gate opens or closes fully automatically. Isn't it time you rewarded yourself with this daily convenience?

Security

- SOMMER door operators are developed and manufactured in Germany and comply with **the latest international standards**
- Our swing gate operators are tested by independent institutes, so that you and your family can rest assured that you own **a secure and safe operator**
- Accident prevention by means of electronically-regulated force measurement with DPS (Dynamic Power System)

Technology

- SOMMER places great emphasis on the development of **reliable and durable operators**
- The operators are particularly quick and easy to install
- Our swing gate operators twist 200 E/EL, twist 350 and twist XL, for example, can be installed universally on the right-hand or left-hand gate leaf



All our swing gate operators at a glance

Type	twist 200 E/EL	twist 350	twist XL
Gate weight per leaf	max. 300 kg	max. 700 kg	max. 1,100 kg
Gate width per leaf	max. 2,500 mm	max. 4,000 mm	max. 7,000 mm
Gate inclination	Up to a max. of 10 % in connection with special fittings ¹⁾	–	Up to a max. of 10 % in connection with special fittings ¹⁾
Gate filling	max. 100 % closed (depending on the width and height of the gate)	max. 100 % closed (depending on the width and height of the gate)	
Operator principle	Electromechanical swing gate operator with 8-gear stainless steel threaded spindle and self-locking high-performance worm gear	Electromechanical swing gate operator with 8-gear stainless steel threaded spindle and self-locking high-performance worm gear	
Push rod	Made from polished stainless steel, non-rusting, high resistance to buckling	Made from polished stainless steel, non-rusting, high resistance to buckling	
Outer tube	Anodised aluminium, very high degree of protection in extreme weather conditions	Anodised aluminium, very high degree of protection in extreme weather conditions	
Storage	Maintenance-free slide bearing with very good dry-running characteristics	Maintenance-free slide bearing with very good dry-running characteristics	
Housing	The housing is made of special UV-resistant and non-ageing synthetic material. It is more resistant against brittle fracture than the same housing made of aluminium alloy	The housing is made of special UV-resistant and non-ageing synthetic material. It is more resistant against brittle fracture than the same housing made of aluminium alloy	
Motor	Multiple-reduced high-performance DC motor with specially intensified gear stages, high operational reliability	Multiple-reduced high-performance DC motor with specially intensified gear stages, high operational reliability	
Motor safety device	Via microprocessor, power-monitored	Via microprocessor, power-monitored	
Motor control unit	DST-A 24, 1- and 2-leaf systems	DTA-1, 1- and 2-leaf systems	
Voltage supply	AC 220–240 V, 50/60 Hz Motor voltage DC 24 V	AC 220–240 V, 50/60 Hz Motor voltage DC 24 V	AC 220–240 V, 50/60 Hz Motor voltage DC 24 V
Angular velocity	–	–	
Opening time	Approx. 13–26 s (twist 200 E) or approx. 13–40 s (twist 200 EL), depending on fixing point (see installation dimensions A + B), the opening time and opening angle change	Approx. 12–34 s, depending on fixing point (see installation dimensions A + B), the opening time and opening angle change	Approx. 10–40 s, depending on fixing point (see installation dimensions A + B), the opening time and opening angle change
Opening angle	twist 200 E: max. 120°; twist 200 EL: max. 130°	max. 121°	max. 110°
Accident prevention	Through automatic obstacle detection	Through automatic obstacle detection	
Limit switch	Limit switch (reed contacts)	Limit switch (reed contacts)	
Emergency release	On the operator; secured with a lock, simple operation	On the operator; secured with a lock, simple operation	
LED-monitored function sequence	Network / ON / OFF / safety, warning light	Network / ON / OFF / safety, warning light, limit switch, electric lock	
Soft start / soft stop	Controlled soft run in ramp form without power loss	Controlled soft run in ramp form without power loss	
Connection options	For photocell, safety contact strip (can only be connected with external evaluation unit), warning light, external devices (DC 24 V, max. 1 A), potential-free relay contact, TorMinal, electric lock	For photocell (4- and 2-wire), safety contact strip (can only be connected with external evaluation unit), warning light, external devices (DC 24 V, max. 0.1 A), potential-free relay contact, TorMinal, electric lock	
Automatic closing function	Can be set via DIP switch	Can be set via DIP switch	
Dead-man function	No	Yes, can be activated via TorMinal	
Walk-through door function	Yes	Yes	
Pulse mode	OPEN / STOP / CLOSE / STOP / ...	OPEN / STOP / CLOSE / STOP / ..., defined OPEN/CLOSE can be set	
Close sequence	Self-learning	Self-learning	
Number of radio channels	2	2	
Operating mode	S3 15 %	S3 40 %	
Protection class	Operator: IP44 / Control unit: IP65	Operator: IP44 / Control unit: IP65	Operator: IP44 / Control unit: IP65
Temperature range	Operator/control unit: –30 °C to +70 °C	Operator/control unit: –30 °C to +70 °C	Operator/control unit: –25 °C to +70 °C

1) In compliance with the norms and standards listed in the Declaration of Installation, particularly DIN EN 13241.

2) In compliance with the norms and standards listed in the Declaration of Installation, particularly DIN EN 12453.

3) For leaf lengths from 3 m and door weights of 300 kg or more, active safety contact strips must be used.

4) The use of active safety contact strips is mandatory in compliance with the norms and standards listed in the Declaration of Installation, particularly DIN EN 13241.

All our swing gate operators at a glance

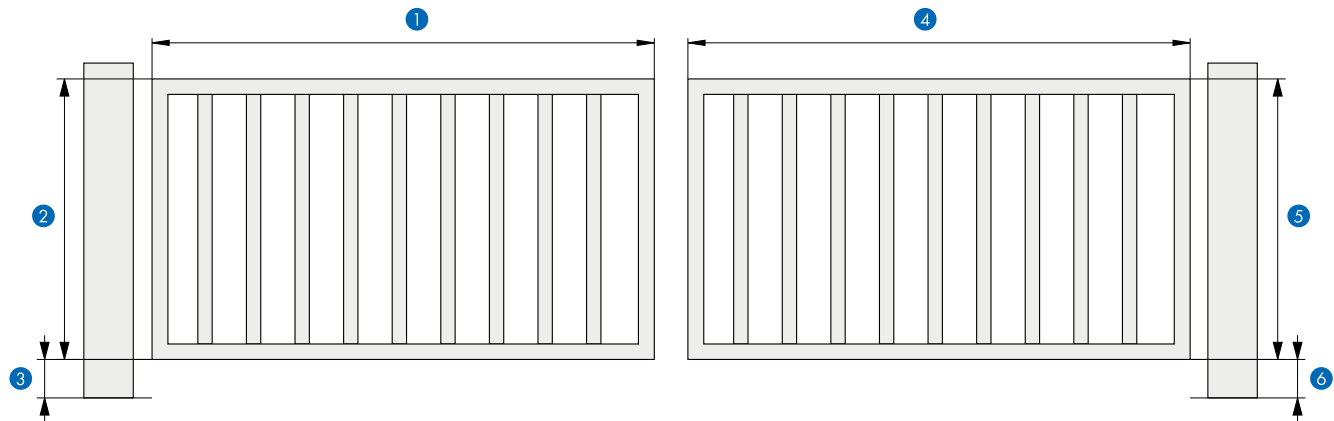
twist UG		twist UG ⁺	twist AM
max. 350 kg ²⁾³⁾		max. 600 kg ²⁾⁴⁾	max. 250 kg
max. 3,500 mm ²⁾³⁾		max. 3,500 mm ²⁾⁴⁾	max. 2,500 mm
–		–	
max. 90 % closed (depending on the width and height of the gate)		max. 100 % closed (depending on the width and height of the gate)	
Electromechanical swing gate operator		Electromechanical swing gate operator	
–		–	
–		–	
–		–	
Stainless steel or hot-dip galvanised finish		Made of special UV-resistant and non-ageing synthetic material. It is more resistant against brittle fracture than the same housing made of aluminium alloy	
High-quality DC gear motor with hall sensor		High-quality DC gear motor with hall sensor	
Via microprocessor, power-monitored		Via microprocessor, power-monitored	
twist UG DT-C-1		Control unit and transformer integrated in operator (master)	
AC 220–240 V, 50/60 Hz Motor voltage DC 24 V		AC 220–240 V, 50/60 Hz Motor voltage DC 24 V	
10°/s		approx. 11°/s	
–		–	
max. 105°		max. 130°	
Through automatic obstacle detection		Through electronic motor monitoring	
Path measurement		Via fixed stop	
On the operator; secured with a lock, simple operation		On the operator; secured with a lock, simple operation	
Status display; STOP, OPEN, CLOSE; safety devices interior/exterior; electric lock; warning light		Status display; STOP, OPEN, CLOSE; safety devices interior/exterior; electric lock; warning light	
Controlled soft run in ramp form without power loss		Controlled soft run in ramp form without power loss	
For photocells (2- and 4-wire), safety contact strips (8.2 kOhm), warning light, potential-free relay contact, electric lock, Memo, battery pack		For photocells (2- and 4-wire), safety contact strip, warning light, external devices, potential-free relay contact, electric lock, Memo	
Can be set via DIP switch		Can be set via DIP switch	
Yes		Yes	
Yes		Yes	
OPEN / STOP / CLOSE / STOP / ..., defined OPEN/CLOSE can be set		OPEN / STOP / CLOSE / STOP / ..., defined OPEN/CLOSE can be set	
Self-learning		Self-learning	
4		4	
S3 40 %		S3 15 %	
Operator: IP67 / Control unit: IP65		IP44	
–25 °C to +65 °C		–25 °C to +65 °C	

Checklist for swing gate operators

Gate leaf

1. Gate type, dimensions and weights

- | | | |
|--|--|--|
| <input type="checkbox"/> 1-leaf | <input type="checkbox"/> 2-leaf | |
| <input type="checkbox"/> Gate CLOSE fixed stop | <input type="checkbox"/> Gate CLOSE fixed stop | <input type="checkbox"/> Attached between the posts |
| <input type="checkbox"/> Gate OPEN fixed stop | <input type="checkbox"/> Gate OPEN fixed stop | <input type="checkbox"/> Attached on the inside of the posts |



DIN left (view from inside)

- | | |
|--|--------------------------------------|
| <input type="checkbox"/> Inactive leaf | <input type="checkbox"/> Active leaf |
| Gate leaf weight | _____ kg |
| ① Gate leaf width | _____ mm |
| ② Gate leaf height | _____ mm |
| ③ Ground clearance | _____ mm |
| Opening angle | _____ ° |
| Gate filling | _____ ° |

DIN right (view from inside)

- | | |
|--|--------------------------------------|
| <input type="checkbox"/> Inactive leaf | <input type="checkbox"/> Active leaf |
| Gate leaf weight | _____ kg |
| ④ Gate leaf width | _____ mm |
| ⑤ Gate leaf height | _____ mm |
| ⑥ Ground clearance | _____ mm |
| Opening angle | _____ ° |
| Gate filling | _____ ° |

2. Additional information

Does the gate have an inclination?

- No
 Yes, _____ %

Is an AC 230 V connection available?

- Yes
 No

Has a cable been run from post to post?

(2 wires for twist 200 E/EL, 5 wires for twist 350/twist XL)

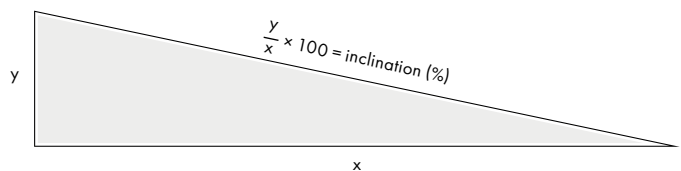
- Yes
 No

Opening operations per day:

Opening operations per hour:

Use of the gate:

- Private
 Public/commercial



Example for calculation of the inclination:

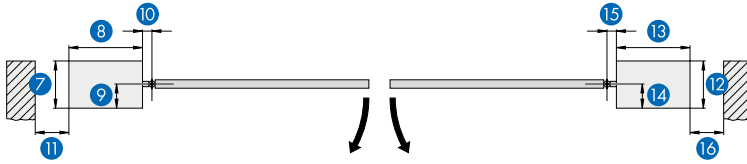
$$x = 10 \text{ m} \quad y = 0.1 \text{ m}$$

$$0.1 \text{ m} / 10 \text{ m} \times 100 = 0.01 \times 100 = 1\% \text{ inclination}$$

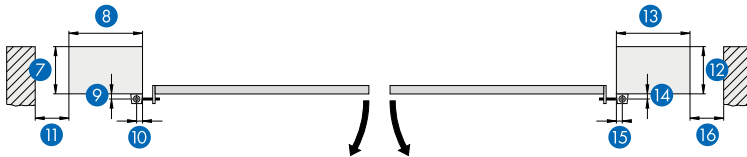
Checklist for swing gate operators

Posts

- Rotation point between the posts



- Rotation point behind the post



If the free space behind the opened gate leaf is ≤ 500 mm, safety devices (e.g. safety contact strips) are required.

Left post

Post material _____

7 _____ mm

8 _____ mm

9 _____ mm

10 _____ mm

11 _____ mm

Free space behind the opened gate leaf

> 500 mm ≤ 500 mm

Right post

Post material _____

12 _____ mm

13 _____ mm

14 _____ mm

15 _____ mm

16 _____ mm

Free space behind the opened gate leaf

> 500 mm ≤ 500 mm

Mode of operation

- Pulse mode
- Dead man mode (only possible without radio)
- Automatic mode (only in combination with photocells)

Accessories

1. Operation

- Handheld transmitter
_____ pcs.
- Key switch
- Flush-mounted
- Surface-mounted
- Telecody+
- Rod antenna
- Access systems

- Fingerprint (ENTRASys+)

2. Security

- Safety contact strip
_____ pcs.
- Photocell
- Warning light
- Main switch
- Evaluation electronics for safety contact strip



On 1- and 2-leaf gate systems, an end stop is required at the "Gate OPEN/Gate CLOSE" end positions.

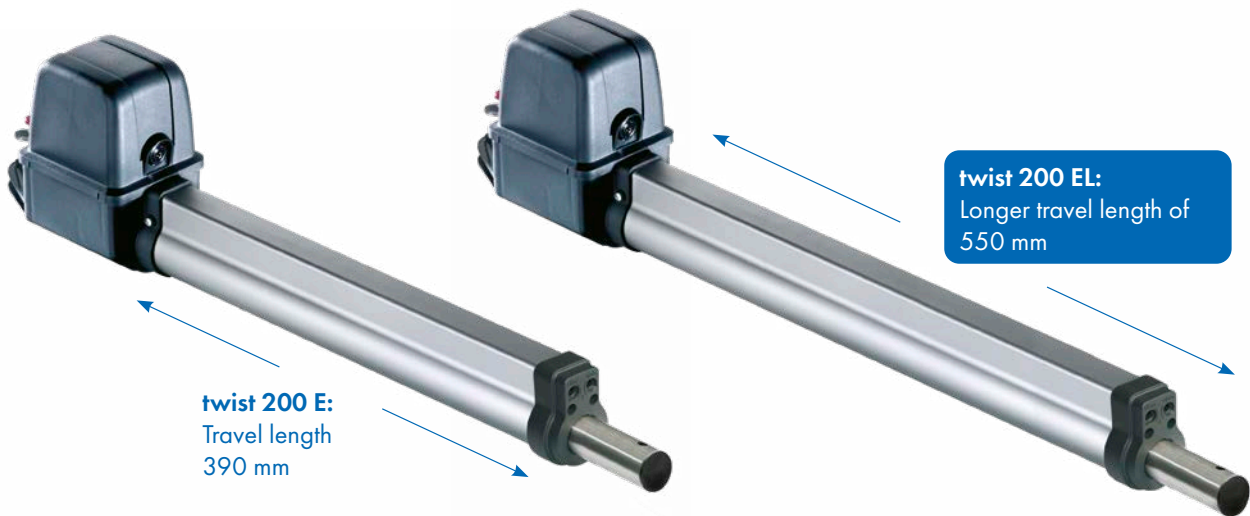


Simply fill in the checklist, enter your contact data and submit to SOMMER together with your inquiry.
You can download the checklist at www.som4.me/chkl.
You can find further information at www.som4.me/man-d.

Company stamp / customer number _____
(The customer number is required for processing.)

twist 200 E / twist 200 EL

Powerful swing gate operators for gates with a gate leaf width of up to 2.5 m or a gate leaf weight of 300 kg



Flexible:

- Can be used universally for DIN left and DIN right
- 1- and 2-leaf operation as well as mixed operation with twist 350 and twist XL possible ¹⁾
- Also suitable for outward-opening gates
- Microprocessor control unit with a wide variety of setting options, such as pedestrian leaf function, automatic closing of the gate, adjustable pre-warning time, adjustable behaviour when encountering an obstacle (complete or partial reversion of the gate)
- Interface to TorMinal programming device
- Fast installation and easy electrical connection

Secure:

- Self-locking without electric lock
- Accident prevention by means of electronically-regulated force measurement with DPS (Dynamic Power System)
- Operator can be manually unlocked in any position (e.g. in the event of a power failure)
- Connections for safety devices, such as warning light and photocell (4-wire) as well as for an external device (DC 24 V), potential-free relay contact

Innovative:

- Compact design
- Controlled soft run in ramp form without power loss
- Movement is easy on the gate



Safe and convenient emergency release system



Electronic limit switches with reed sensors ensure precise limit switching

¹⁾ twist 200 E/EL operators and twist 350/XL control units can only be operated in combination with the twist XS (# 3248V000) conversion set.

twist 200 E, SOMloq2 (FM 868.95 MHz), set**NEW**

- Control unit DST-A 24 in housing (IP65), Dimensions: 250 × 175 × 75 mm
- SOMup4 radio receiver (FM 868.95 MHz SOMloq2, 40 radio memory positions), pluggable
- Slot for Memo memory extension (450 radio commands)
- Pearl Vibe 4-command handheld transmitter (# 4019V000) with noticeable feedback of radio commands via vibration
- Transmitters can be programmed and deleted and information on the radio receiver viewed via the SOMlink service interface.


1-leaf**S11520-00001**

- twist 200 E swing gate operator (can be used universally for DIN left and DIN right)
- Post and gate leaf fitting

**2-leaf****S11521-00001**

- Two twist 200 E swing gate operators (can be used universally for DIN left and DIN right)
- Post and gate leaf fittings



Advantages of the longer travel length of the twist 200 EL:

- Operator can be mounted on very wide brick posts
- Operator can be installed at an incline to the gate
- Operator can achieve opening angle of up to 130°
- Through the inclined position, the operator can provide a higher force when the gate is closed so that breaking in or unauthorised opening can be made even more difficult



twist 200 EL set

NEW

- Control unit DST-A 24 in housing (IP65), Dimensions: 250×175×75 mm
- SOMup4 radio receiver (FM 868.95 MHz SOMloq2, 40 radio memory positions), pluggable
- Slot for Memo memory extension (450 radio commands)
- Pearl Vibe 4-command handheld transmitter (# 4019V000) with noticeable feedback of radio commands via vibration
- Transmitters can be programmed and deleted and information on the radio receiver viewed via the SOMlink service interface.



1-leaf

S 11522-00001

- twist 200 EL swing gate operator (can be used universally for DIN left and DIN right)
- Post and gate leaf fitting

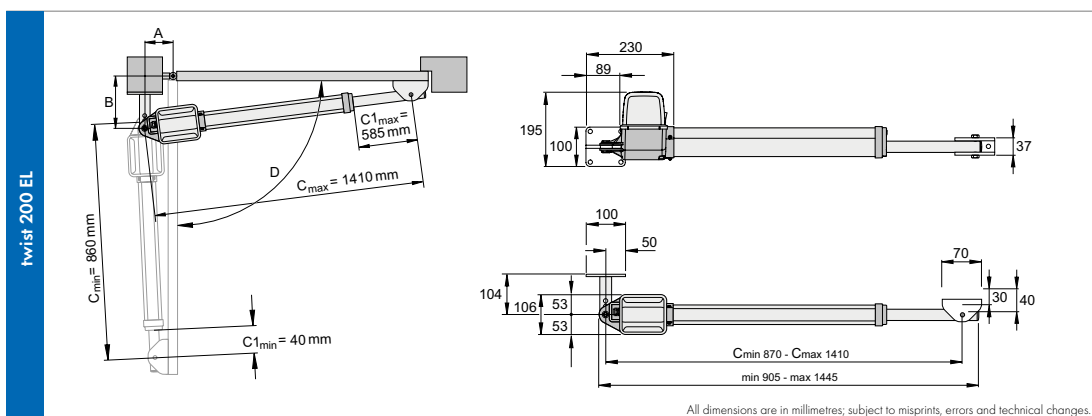
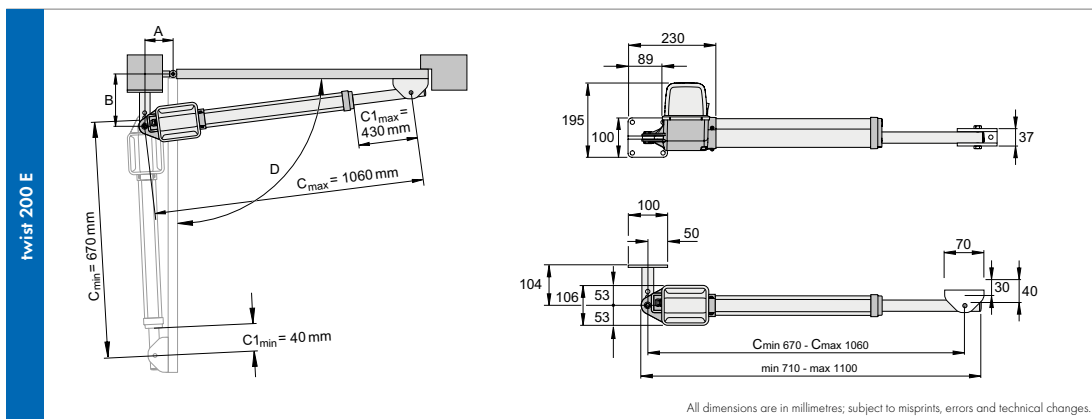
2-leaf

S 11523-00001

- Two twist 200 EL swing gate operators (can be used universally for DIN left and DIN right)
- Post and gate leaf fittings

Type	twist 200 E/EL
Gate weight per leaf	max. 300 kg
Gate width per leaf	max. 2,500 mm
Gate inclination	Up to a max. of 10 % in connection with special fittings ¹⁾
Gate filling	max. 100 % closed (depending on the width and height of the gate)
Operator principle	Electromechanical swing gate operator with 8-gear stainless steel threaded spindle and self-locking high-performance worm gear
Push rod	Made from polished stainless steel, non-rusting, high resistance to buckling
Outer tube	Anodised aluminium, very high degree of protection in extreme weather conditions
Storage	Maintenance-free slide bearing with very good dry-running characteristics
Housing	The housing is made of special UV-resistant and non-ageing synthetic material. It is more resistant against brittle fracture than the same housing made of aluminium alloy
Motor	Multiple-reduced high-performance DC motor with specially intensified gear stages, high operational reliability
Motor safety device	Via microprocessor, power-monitored
Motor control unit	DST-A 24, 1- and 2-leaf systems
Voltage supply	AC 220-240 V, 50/60 Hz / Motor voltage DC 24 V
Opening time	Approx. 13-26 s (twist 200 E) or approx. 13-40 s (twist 200 EL), depending on fixing point (see installation dimensions A + B), opening time and opening angle change
Opening angle	twist 200 E: max. 120°; twist 200 EL: max. 130°
Accident prevention	Through automatic obstacle detection
Limit switch	Limit switch (reed contacts)
Emergency release	On the operator; secured with a lock, simple operation
LED-monitored function sequence	Network / ON / OFF / safety, warning light
Soft start / soft stop	Controlled soft run in ramp form without power loss
Connection options	For photocell, safety contact strip (can only be connected with external evaluation unit), warning light, external devices (DC 24 V, max. 1 A), potential-free relay contact, TorMinal, electric lock
Automatic closing function	Can be set via DIP switch
Dead-man function	No
Walk-through door function	Yes
Pulse mode	OPEN / STOP / CLOSE / STOP / ...
Close sequence	Self-learning
Number of radio channels	2
Operating mode	S3 15 %
Protection class	Operator: IP44 / Control unit: IP65
Temperature range	Operator/control unit: -30 °C to +70 °C

¹⁾ In compliance with the norms and standards listed in the Declaration of Installation, particularly DIN EN 13241.



I INSTRUCTIONS



www.som4.me/man-d

X CAD DATA



www.som4.me/cad

twist 200 E / twist 200 EL



Before mounting, it is necessary to define the A/B dimensions. Without these dimensions, the operator cannot be correctly installed and operated.

The dimensions (A+B) must be selected so that the desired opening angle (D) is reached. The specified opening angle is a reference value for the largest possible angle. For gate leaf widths greater than 1.5 m or full surface closed gates, the B dimension must be at least 140 mm.

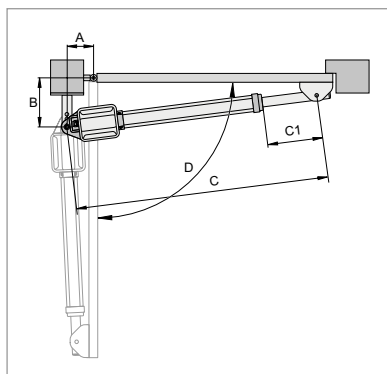
The reference values in the table have been calculated based on the following data:

Wind speed: 28.3 m/s; Gate height: 2.0 m; Gate width: 2.5 m; Gate filling: 35 % evenly distributed; without electric lock

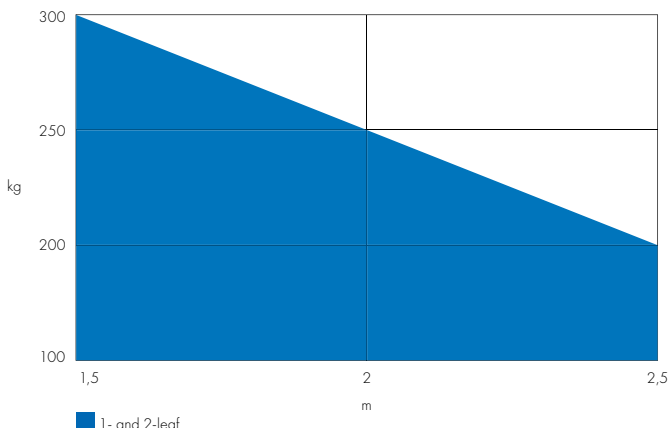
- The largest possible B dimension should always be selected. A large B dimension improves the power transmission from the operator to the gate. In addition, the operator is stressed less, which increases the service life.
- The C dimension displays the entire length of the operator mounted on the closed gate.
- The C1 dimension displays the stroke of the push rod with the operator mounted on the closed gate.
- Due to the increased stroke, we recommend the use of the twist 200 EL from a B dimension of 180 mm onwards.

twist 200 E

B	A		80		100		120		140		160		180		200		220		240		260		Max. gate leaf width without electric lock																		
	C	C1	D		D		D		D		D		D		D		D		D																						
100	851	221	90°		875	245	93°		918	288	105°		957	327	113°		994	363	118°		1026	396	120°		1041	411	115°		1043	413	108°		1051	421	102°		1040	410	98°		1.5 m
120	872	242	90°		896	266	93°		935	305	103°		968	338	108°		1004	374	113°		1035	405	115°		1041	411	108°		1042	412	102°		1040	410	97°		1037	407	93°		
140	894	264	90°		918	288	93°		951	321	100°		987	357	107°		1018	388	110°		1048	418	112°		1040	410	101°		1040	410	96°		1038	408	92°		1043	412	90°		
160	916	286	90°		940	310	93°		971	341	99°		1001	371	103°		1035	405	108°		1049	419	104°		1051	421	98°		1040	410	91°						2.5 m				
180	938	308	90°		961	332	93°		991	361	98°		1021	391	102°		1050	420	105°		1041	410	94°		1050	420	92°														
200	961	331	90°		984	354	93°		1010	380	96°		1039	409	100°		1042	412	93°																						
220	983	354	90°		1008	378	93°		1032	403	96°		1051	421	95°																										
240	1007	377	90°		1031	401	93°																																		
260	1030	400	90°																																						



White fields: Installation range only for horizontal gates
Light blue fields: Installation range for horizontal and inclined gates
Attention: Inclined gates only with special fitting, max. leaf width 2.5 m, max. leaf weight 120 kg, max. inclination 10 %

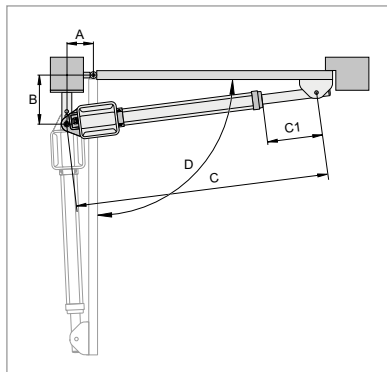


Height (m)	Infill (%)		
2	70	60	50
1.5	90	80	70
1	100	100	100
0.5	100	100	100
Length (m)	1.5	2	2.5

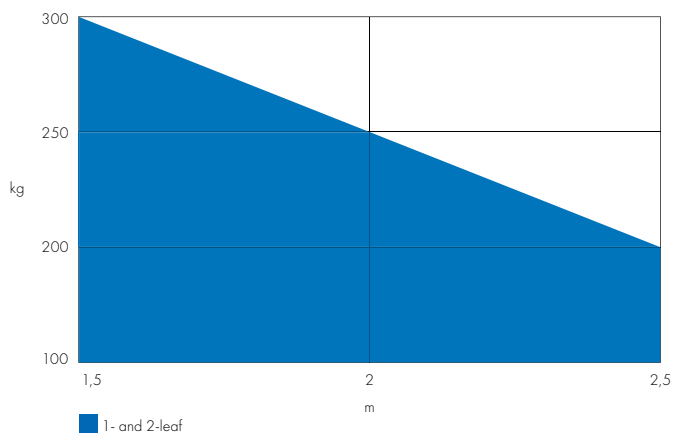
Valid for B dimensions 260 mm (twist 200 E) and 400 mm (twist 200 EL) and A dimension 80 mm; recorded values for gate leaf thickness 50 mm and centre rotation point, based on the maximum given gate weight.

twist 200 EL

B	A		Max. gate leaf width without electric lock											
	C	C1	80	100	120	140	160	180	200	220	240	260	280	
1.5 m	100	216	1041	1065	1108	1147	1183	1216	1256	1298	1317	1346	1376	
			90°	93°	105°	113°	118°	120°	125°	130°	125°	125°	125°	
	120	237	1062	1086	1128	1158	1194	1235	1264	1304	1321	1349	1376	
			90°	93°	103°	108°	113°	115°	120°	125°	120°	120°	120°	
	140	258	1107	1141	1177	1208	1244	1279	1309	1340	1358	1377		
			90°	93°	100°	107°	110°	115°	118°	125°	120°	117°	115°	
	160	304	1129	1160	1191	1245	1258	1292	1316	1360	1372	1385		
			90°	93°	99°	103°	108°	112°	115°	122°	120°	115°	112°	
	180	326	1151	1180	1210	1246	1279	1308	1331	1372	1392	1398		
			90°	93°	98°	102°	108°	112°	113°	120°	117°	115°	110°	
200	348	1173	1199	1230	1261	1296	1326	1364	1387	1396	1398			
		90°	93°	96°	101°	105°	110°	112°	117°	115°	110°	105°		
220	370	1195	1221	1252	1283	1316	1343	1380	1393	1398	1396			
		90°	93°	96°	101°	105°	109°	110°	115°	110°	105°	100°		
240	393	1218	1242	1273	1305	1335	1364	1397	1399	1399	1392			
		90°	93°	95°	100°	105°	108°	110°	113°	105°	100°	95°		
260	416	1241	1265	1295	1324	1353	1380	1398	1380	1398	1386			
		90°	93°	95°	100°	103°	106°	107°	105°	95°	95°	90°		
280	439	1264	1289	1316	1344	1374	1398	1405	1389	1394	1386			
		90°	93°	95°	99°	102°	105°	105°	100°	92°	90°	90°		
300	462	1287	1311	1337	1365	1392	1390	1408						
		90°	93°	95°	98°	101°	103°	95°	95°					
320	486	1311	1334	1371	1388	1394	1401							
		90°	93°	95°	98°	101°	95°	92°						
340	509	1334	1358	1382	1410									
		90°	93°	95°	97°	100°								
360	533	1358	1382											
		90°	93°	95°										
380	557	1382												
		90°	93°											
400	558	1383												
		90°												



White fields: Installation range only for horizontal gates
Light blue fields: Installation range for horizontal and inclined gates
Attention: Inclined gates only with special fitting, max. leaf width 2.5 m, max. leaf weight 120 kg, max. inclination 10 %

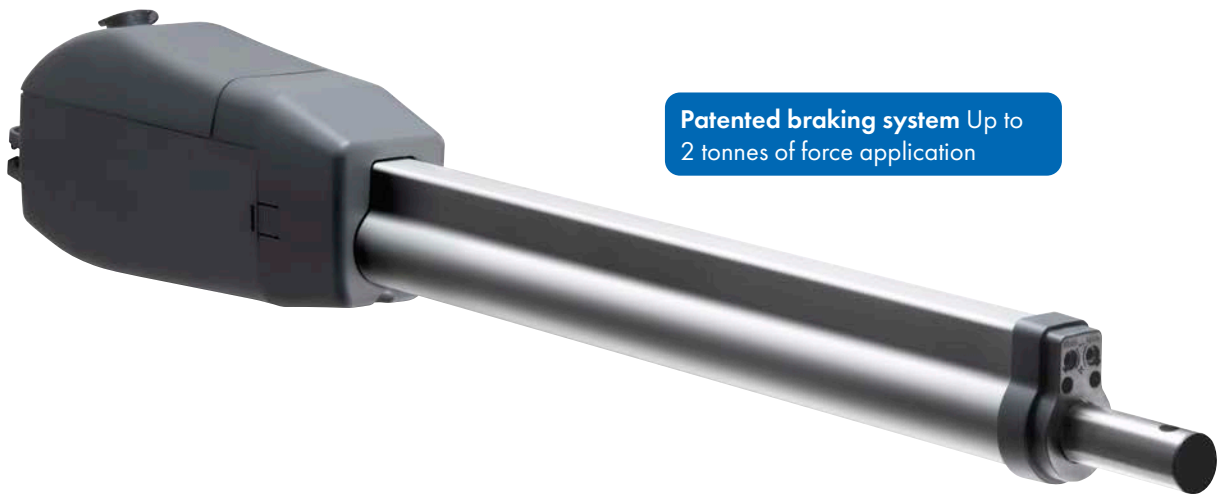


Height (m)	Infill (%)		
	2	70	60
1,5	90	80	70
1	100	100	100
0,5	100	100	100
Length (m)	1,5	2	2,5

Valid for B dimensions 260 mm (twist 200 E) and 400 mm (twist 200 EL) and A dimension 80 mm; recorded values for gate leaf thickness 50 mm and centre rotation point, based on the maximum given gate weight.

twist 350

The high-power swing gate operator for gates with a gate leaf width of up to 4 m or a gate leaf weight of 700 kg



Patented braking system Up to 2 tonnes of force application

Flexible:

- Can be used universally for DIN left and DIN right
- 1- and 2-leaf operation as well as mixed operation with twist 200 E/EL¹⁾ and twist XL possible
- Can also be used for closed gate fillings
- Also suitable for outward-opening gates
- Microprocessor control unit with a wide variety of setting options, such as pedestrian leaf function, automatic closing of the gate, adjustable speed and pre-warning time, adjustable behaviour when encountering an obstacle (complete or partial reversion of the gate)
- Interface to TorMinal programming device
- Fast installation and easy electrical connection

Secure:

- The patented SOMMER braking system makes the operator very durable – even in the event of extreme force effects of up to 2 tonnes, e.g. due to wind load or vandalism
- Self-locking without electric lock (up to 3.5 m)
- Accident prevention by means of electronically-regulated force measurement with DPS (Dynamic Power System)
- Operator can be manually unlocked in any position (e.g. in the event of a power failure)
- Connections for safety devices, such as warning light and photocell (2- and 4-wire) as well as for an external device (DC 24 V), potential-free relay contact

Innovative:

- Modern, elegant design
- Controlled soft run in ramp form without power loss
- Movement is easy on the gate



Safe and convenient emergency release system



Electronic limit switches with reed sensors ensure precise limit switching

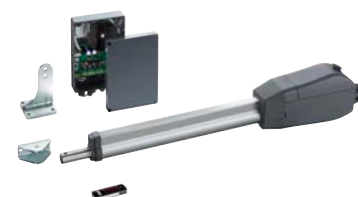
¹⁾ twist 200 E/EL operators and twist 350/XL control units can only be operated in combination with the twist XS (# 3248V000) conversion set.

twist 350, SOMloq2 (FM 868.95 MHz), set**NEW****SOMloq2**

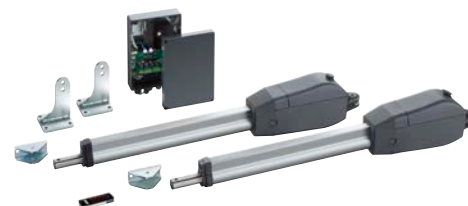
- Control unit DTA-1 in housing (IP65),
Dimensions: 250 × 175 × 75 mm
- SOMup4 radio receiver (FM 868.95 MHz SOMloq2, 40 radio memory positions), pluggable
- Slot for Memo memory extension (450 radio commands)
- Pearl Vibe 4-command handheld transmitter (#4019V000) with noticeable feedback of radio commands via vibration
- Transmitters can be programmed and deleted and information on the radio receiver viewed via the SOMlink service interface.

1-leaf**S11524-00001**

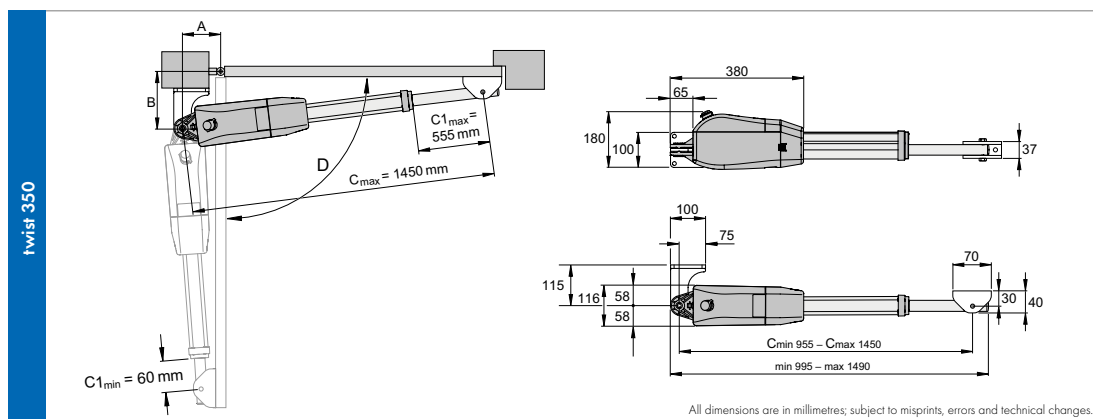
- twist 350 swing gate operator (can be used universally for DIN left and DIN right)
- Post and gate leaf fitting

**2-leaf****S11525-00001**

- Two twist 350 swing gate operators (can be used universally for DIN left and DIN right)
- Post and gate leaf fittings



Type	twist 350
Gate weight per leaf	max. 700 kg
Gate width per leaf	max. 4,000 mm
Gate inclination	-
Gate filling	max. 100 % closed (depending on the width and height of the gate)
Operator principle	Electromechanical swing gate operator with 8-gear stainless steel threaded spindle and self-locking high-performance worm gear
Push rod	Made from polished stainless steel, non-rusting, high resistance to buckling
Outer tube	Anodised aluminium, very high degree of protection in extreme weather conditions
Storage	Maintenance-free slide bearing with very good dry-running characteristics
Housing	The housing is made of UV-resistant and non-ageing special plastic. It is more resistant against brittle fracture than the same housing made of aluminium alloy
Motor	Multiple-reduced high-performance DC motor with specially intensified gear stages, high operational reliability
Motor safety device	Via microprocessor, power-monitored
Motor control unit	DTA-1, 1- and 2-leaf systems
Voltage supply	AC 220-240 V, 50/60 Hz / Motor voltage DC 24 V
Opening time	Approx. 12-34 s, depending on fixing point (see installation dimensions A + B), the opening time and opening angle change
Opening angle	max. 121°
Accident prevention	Through automatic obstacle detection
Limit switch	Limit switch (reed contacts)
Emergency release	On the operator; secured with a lock, simple operation
LED-monitored function sequence	Network / ON / OFF / safety, warning light, limit switch, electric lock
Soft start / soft stop	Controlled soft run in ramp form without power loss
Connection options	For photocell (4- and 2-wire), safety contact strip (can only be connected with external evaluation unit), warning light, external devices (DC 24 V, max. 0.1 A), potential-free relay contact, TorMinal, electric lock
Automatic closing function	Can be set via DIP switch
Dead-man function	Yes, can be activated via TorMinal
Walk-through door function	Yes
Pulse mode	OPEN / STOP / CLOSE / STOP / ..., defined OPEN/CLOSE can be set
Close sequence	Self-learning
Number of radio channels	2
Mode of operation	S3 40 %
Protection class	Operator: IP44 / Control unit: IP65
Temperature range	Operator/control unit: -30 °C to +70 °C



i Before mounting, it is necessary to define the A/B dimensions. Without these dimensions, the operator cannot be correctly installed and operated.

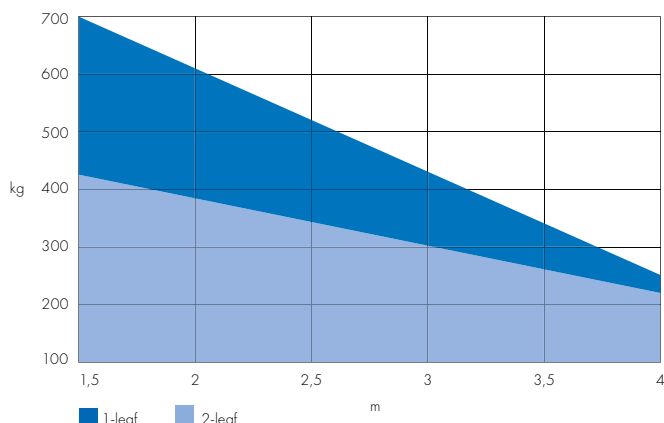
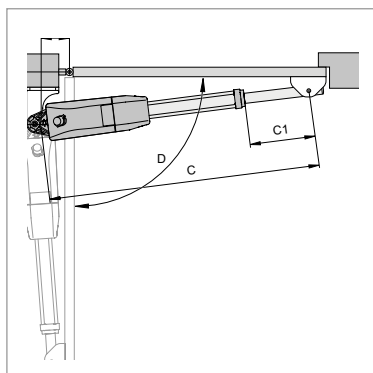
The dimensions (A+B) must be selected so that the desired opening angle (D) is reached. The specified opening angle is a reference value for the largest possible angle. For gate leaf widths greater than 2.5 m or full surface closed gates, the B dimension must be at least 200 mm.

The reference values in the table have been calculated based on the following data:

Wind speed: 28.3 m/s; Gate height: 2.0 m; Gate width: 2.5 m; Gate filling: 35 % evenly distributed; without electric lock

- The largest possible B dimension should always be selected. A large B dimension improves the power transmission from the operator to the gate. In addition, the operator is stressed less, which increases the service life.
- The C dimension displays the entire length of the operator mounted on the closed gate.
- The C1 dimension displays the stroke of the push rod with the operator mounted on the closed gate.

B	A		D													Max. gate leaf width without electric lock									
	C	C1	100	120	140	160	180	200	220	240	260	280	300	320											
140	1200	326	1234	360	1264	390	1295	421	1331	457	1371	497	1409	535	1411	537	1403	529	1424	550	1424	550	1430	556	3.5 m
		92°		99°		103°		105°		111°		117°		121°		112°		104°		104°		100°		98°	
160	1222	348	1247	374	1279	405	1307	433	1340	466	1377	503	1414	542	1428	554	1420	546	1436	562	1440	566	1440	566	
		92°		95°		100°		102°		106°		111°		116°		111°		103°		102°		99°		96°	
180	1235	365	1267	393	1299	425	1326	452	1351	477	1385	511	1424	550	1442	568	1446	572	1443	569	1439	565	1437	563	
		91°		94°		99°		101°		102°		106°		111°		109°		104°		99°		95°		92°	
200	1264	390	1289	415	1319	445	1345	471	1372	498	1398	524	1433	559	1446	572	1441	567	1444	570	1443	569	1446	572	
		91°		93°		98°		100°		102°		103°		107°		104°		98°		95°		92°		90°	
220	1286	412	1310	436	1341	467	1367	493	1394	520	1404	530	1442	568	1444	570	1444	570	1444	570	1444	570	1444	570	
		91°		93°		98°		100°		102°		98°		103°		98°		94°		91°					
240	1308	434	1332	458	1361	487	1387	513	1414	540	1416	542	1435	561	1444	570	1445	571							
		91°		93°		97°		99°		100°		95°		95°		93°		90°							
260	1331	457	1355	481	1381	507	1409	535	1431	557	1438	564	1445	570											
		91°		93°		96°		99°		99°		95°		92°											
280	1354	503	1378	504	1404	530	1430	556	1448	573	1446	572													
		91°		93°		96°		98°		96°		91°													
300	1377	496	1401	526	1425	551	1448	574																	
		91°		93°		95°		96°																	
320	1400	526	1420	546	1443	569																			
		91°		91°		93°																			

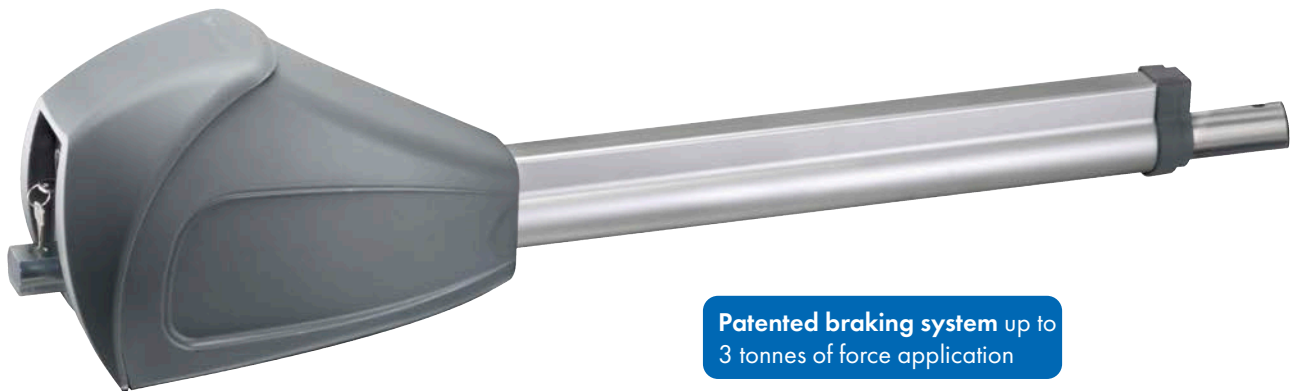


Height (m)	Infill (%)					
3	100	100	90	80	60	40
2.5	100	100	100	90	70	50
2	100	100	100	100	90	70
1.5	100	100	100	100	100	90
1	100	100	100	100	100	100
0.5	100	100	100	100	100	100
Length (m)	1.5	2	2.5	3	3.5	4

Valid for B dimensions 320 mm and A dimensions 100 mm; recorded values for gate leaf thickness 50 mm and centre rotation point, based on the maximum given gate weight.

twist XL

The powerhouse swing gate operator for gates with a gate leaf width of up to 7 m or a gate leaf weight of 1,100 kg



Patented braking system up to 3 tonnes of force application

Flexible:

- Can be used universally for DIN left and DIN right
- 1- and 2-leaf operation as well as mixed operation with twist 200 E/EL¹⁾ and twist 350 possible
- Can also be used for closed gate fillings
- Also suitable for outward-opening gates
- Microprocessor control unit with a wide variety of setting options, such as pedestrian leaf function, automatic closing of the gate, adjustable speed and pre-warning time, adjustable behaviour when encountering an obstacle (complete or partial reversion of the gate)
- Interface to TorMinal programming device
- Fast installation and easy electrical connection

Secure:

- The patented SOMMER braking system makes the operator very durable – even in the event of extreme force effects of up to 3 tonnes, e.g. due to wind load or vandalism
- Self-locking without electric lock (up to 5 m)
- Accident prevention by means of electronically-regulated force measurement with DPS (Dynamic Power System)
- Operator can be manually unlocked in any position (e.g. in the event of a power failure)
- Connections for safety devices, such as warning light and photocell (2- and 4-wire) as well as for an external device (DC 24 V), potential-free relay contact

Innovative:

- Controlled soft run in ramp form without power loss
- Spring-mounted threaded spindle ensures movement that is easy on the gate



Safe and convenient emergency release system



Electronic limit switches with reed sensors ensure precise limit switching

¹⁾ twist 200 E/EL operators and twist 350/XL control units can only be operated in combination with the "twist XS" (# 3248V000) conversion set.

Operator unit twist XL, 1-leaf

3280V000

- twist XL swing gate operator, 1-leaf (can be used universally for DIN left and DIN right)
- Post and gate leaf fitting
- *Please order control unit separately*

**twist XL control unit****NEW**

S11526-00001

- For operators (DC 24 V) twist XL, twist 350 or twist 200 E/EL¹⁾
- DC 24 V, control unit is powered with 230 V
- Control unit DTA-1 in housing (IP65), Dimensions: 250 × 175 × 75 mm
- SOMup4 radio receiver (FM 868.95 MHz SOMloq2, 40 radio memory positions), pluggable
- Slot for Memo memory extension (450 radio commands)
- Pearl Vibe 4-command handheld transmitter (#4019V000) with noticeable feedback of radio commands via vibration
- Transmitters can be programmed and deleted and information on the radio receiver viewed via the SOMlink service interface.

**twist XXL control unit****NEW**

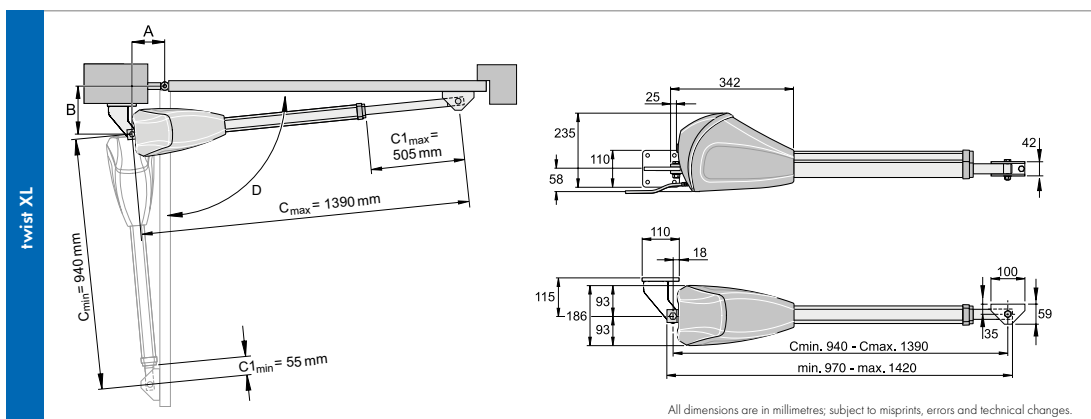
S11812-00001

- For operators (DC 24 V) twist XL, twist 350 or twist 200 E/EL¹⁾
- Control unit is powered with 230 V
- Control unit DTA-1 in large housing (IP67) with contact protection and pre-installed main switch, Dimensions: 362 × 255 × 165 mm
- SOMup4 radio receiver (FM 868.95 MHz SOMloq2, 40 radio memory positions), pluggable
- Slot for Memo memory extension (450 radio commands)
- Pearl Vibe 4-command handheld transmitter (#4019V000) with noticeable feedback of radio commands via vibration
- Transmitters can be programmed and deleted and information on the radio receiver viewed via the SOMlink service interface.



Type	twist XL
Gate weight per leaf	max. 1,100 kg
Gate width per leaf	max. 7,000 mm
Gate inclination	Up to a max. of 10 % in connection with special fittings ¹⁾
Gate filling	max. 100 % closed, depending on the width and height of the gate
Operator principle	Electromechanical swing gate operator with 8-gear stainless steel threaded spindle and self-locking high-performance worm gear
Push rod	Made from polished stainless steel, non-rusting, high resistance to buckling
Outer tube	Anodised aluminium, very high degree of protection in extreme weather conditions
Storage	Maintenance-free slide bearing with very good dry-running characteristics
Housing	The housing is made of UV-resistant and non-ageing special plastic. It is more resistant against brittle fracture than the same housing made of aluminium alloy.
Motor	Multiple-reduced high-performance DC motor with specially intensified gear stages, high operational reliability
Motor safety device	Via microprocessor, power-monitored
Motor control unit	DTA-1, 1- and 2-leaf systems
Voltage supply	AC 220–240 V, 50/60 Hz / Motor voltage DC 24 V
Opening time	Approx. 10–40 s, depending on fixing point (see installation dimensions A + B), the opening time and opening angle change
Opening angle	max. 110°
Accident prevention	Through automatic obstacle detection
Limit switch	Limit switch (reed contacts)
Emergency release	On the operator; secured with a lock, simple operation
LED-monitored function sequence	Network / ON / OFF / safety, warning light, limit switch, electric lock
Soft start / soft stop	Controlled soft run in ramp form without power loss
Connection options	For photocell (4- and 2-wire), safety contact strip (can only be connected with external evaluation unit), warning light, external devices (DC 24 V, max. 0.1 A), potential-free relay contact, TorMinal, electric lock
Automatic closing function	Can be set via DIP switch
Dead-man function	Yes, can be activated via TorMinal
Walk-through door function	Yes
Pulse mode	OPEN / STOP / CLOSE / STOP / ..., defined OPEN/CLOSE can be set
Close sequence	Self-learning
Number of radio channels	2
Mode of operation	S3 40 %
Protection class	Operator: IP44 / Control unit: IP65
Temperature range	Operator/control unit: -25 °C to +70 °C

1) In compliance with the norms and standards listed in the Declaration of Installation, particularly DIN EN 13241.



i Before mounting, it is necessary to define the A/B dimensions. Without these dimensions, the operator cannot be correctly installed and operated.

The dimensions (A+B) must be selected so that the desired opening angle (D) is reached. The specified opening angle is a reference value for the largest possible angle.

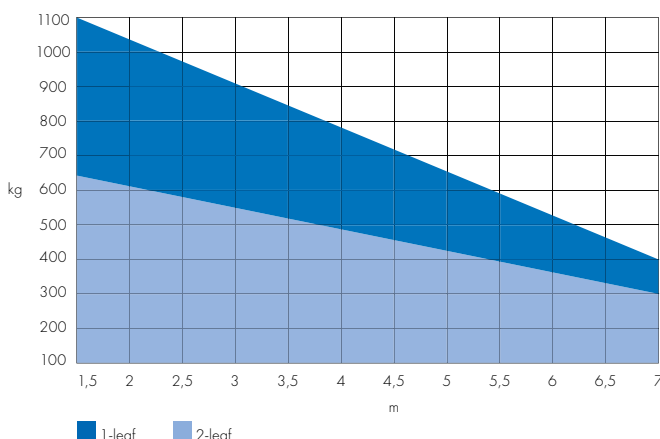
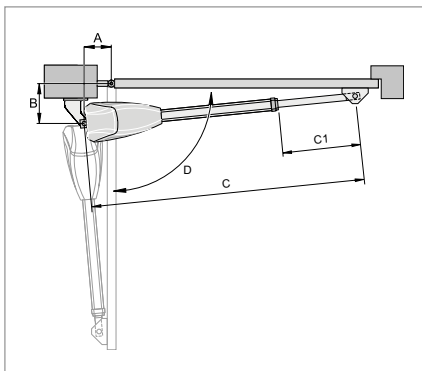
The reference values in the table have been calculated based on the following data:

Wind speed: 28.3 m/s; Gate height: 2 m; Gate width: 2.5 m; Gate filling: 35 % evenly distributed; without electric lock

- The largest possible B dimension should always be selected. A large B dimension improves the power transmission from the operator to the gate. In addition, the operator is stressed less, which increases the service life.
- The C dimension displays the entire length of the operator mounted on the closed gate.
- The C1 dimension displays the stroke of the push rod with the operator mounted on the closed gate.

B	A		C							Max. gate leaf width without electric lock			
	C	C1	140	160	180	200	220	240					
160	1243	360	1273	391	1314	431	1360	477	1385	503	1385	501	3.5 m
	91°		93°		102°		110°		110°		103°		
180	1265	382	1295	412	1335	452	1372	490	1384	501	1377	494	4.0 m
	91°		95°		102°		108°		103°		96°		
200	1287	404	1317	434	1354	471	1383	500	1376	493	1385	502	4.5 m
	91°		95°		101°		103°		95°		93°		
220	1306	423	1339	456	1373	490	1385	502	1385	502			5.0 m
	90°		95°		100°		97°		92°				
240	1328	446	1361	478	1390	507	1386	503					
	90°		95°		98°		91°						
260	1351	468	1381	498	1390	507							
	90°		94°		91°								
280	1374	491											
	90°												
300	1397	514											
	90°												

White fields: Installation range only for horizontal gates
Light blue fields: Installation range for horizontal **and** inclined gates
Attention: Inclined gates only with special fitting, max. leaf width 5 m, max. leaf weight 300 kg, max. inclination 10 %



Height (m)	Infill (%)						
5	100	100	70	40	20	-	-
4	100	100	90	50	30	20	-
3	100	100	100	60	40	30	20
2	100	100	100	100	60	40	30
1	100	100	100	100	100	90	60
Length (m)	1.5	2	3	4	5	6	7

Valid for B dimensions 300 mm and A dimensions 140 mm; recorded values for gate leaf thickness 50 mm and centre rotation point, based on the maximum given gate weight.

twist UG

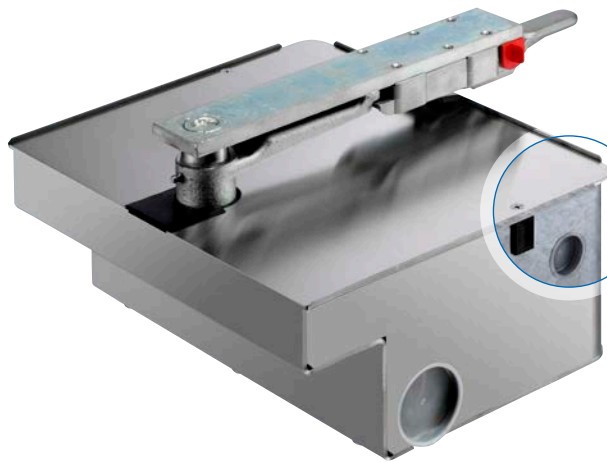
For swing gates with a maximum leaf width of 3.5 m and a maximum leaf weight of 350 kg¹⁾



ACCU READY



<0.5 W STANDBY



SOMloq2

Available in a hot-dip galvanised or stainless steel model



You can find further information at www.twistug.sommer.eu.

Flexible:

- 1- and 2-leaf operation possible
- Fully or semi-automatic closing function. Shortening of the hold open time after driving through is possible.
- Operator can be manually unlocked in any position. (E.g. in the event of a power failure)

Secure:

- Bidirectional SOMloq2 radio system (FM 868.95 MHz) for guaranteed convenience and secure encryption
- Certified restriction of closing forces in acc. with EN 12453 by electronic motor monitoring
- Lockable, mechanical emergency release
- Integrated evaluation unit for safety contact strip
- Optional safety devices can be integrated effortlessly (e.g. safety contact strip, photocell, electric gate leaf lock, warning light)

Innovative:

- Gear-saving soft start and soft stop without loss of thrust thanks to electronic motor monitoring
- Automatic learning process – Quick programming of end positions and operating forces with few reference drives
- Versatile setting options and service information with the SOMlink Service interface

Quality:

- High-quality DC gear motor in cast aluminium housing with hall sensor
- Environmentally friendly and cost-effective (uses <0.5 W in standby mode)
- Weatherproof stainless steel housing



Battery pack in case of power failures



Expandable to 450 memory positions using optional Memo module.

¹⁾ For leaf lengths from 3 m and gate weights of 300 kg or more, active safety contact strips must be used.

twist UG 1-leaf, set

- Underground swing gate operator
- Control unit twist UG (IP67), Dimensions: 350 × 200 × 140 mm
- Radio receiver FM 868.95 MHz (SOMloq2)
- Pearl Vibe 4-command handheld transmitter (# 4019V000) with noticeable feedback of radio commands via vibration

Stainless steel; DIN left	S10603-00001
----------------------------------	--------------

Hot-dip galvanised, DIN left	S10904-00001
-------------------------------------	--------------

Stainless steel, DIN right	S10604-00001
-----------------------------------	--------------

Hot-dip galvanised, DIN right	S10905-00001
--------------------------------------	--------------

**twist UG 2-leaf, set**

- Two underground swing gate operators (DIN left and DIN right)
- Control unit twist UG (IP67), Dimensions: 350 × 200 × 140 mm
- Radio receiver FM 868.95 MHz (SOMloq2)
- Pearl Vibe 4-command handheld transmitter (# 4019V000) with noticeable feedback of radio commands via vibration
- 12 m connecting cable set

Stainless steel	S10605-00001
------------------------	--------------

Hot-dip galvanised	S10906-00001
---------------------------	--------------



twist UG⁺

For swing gates with a maximum leaf width of 3.5 m and a maximum gate leaf weight of 600 kg ¹⁾

twist UG⁺ 1-leaf, set

Advantages: see *twist UG*

- Underground swing gate operator
- Control unit twist UG⁺ (IP65), Dimensions: 350 × 200 × 140 mm
- Radio receiver FM 868.95 MHz (SOMloq2)
- Pearl Vibe 4-command handheld transmitter (# 4019V000) with noticeable feedback of radio commands via vibration

Stainless steel; DIN left	S12027-00001
----------------------------------	--------------

Hot-dip galvanised, DIN left	S12036-00001
-------------------------------------	--------------

Stainless steel, DIN right	S12030-00001
-----------------------------------	--------------

Hot-dip galvanised, DIN right	S12039-00001
--------------------------------------	--------------



twist UG⁺ 2-leaf, set

Advantages: see *twist UG*

- Two underground swing gate operators (DIN left and DIN right)
- Control unit twist UG (IP65), Dimensions: 350 × 200 × 140 mm
- Radio receiver FM 868.95 MHz (SOMloq2)
- Pearl Vibe 4-command handheld transmitter (# 4019V000) with noticeable feedback of radio commands via vibration
- 12 m connecting cable set

Stainless steel	S12033-00001
------------------------	--------------

Hot-dip galvanised	S12042-00001
---------------------------	--------------



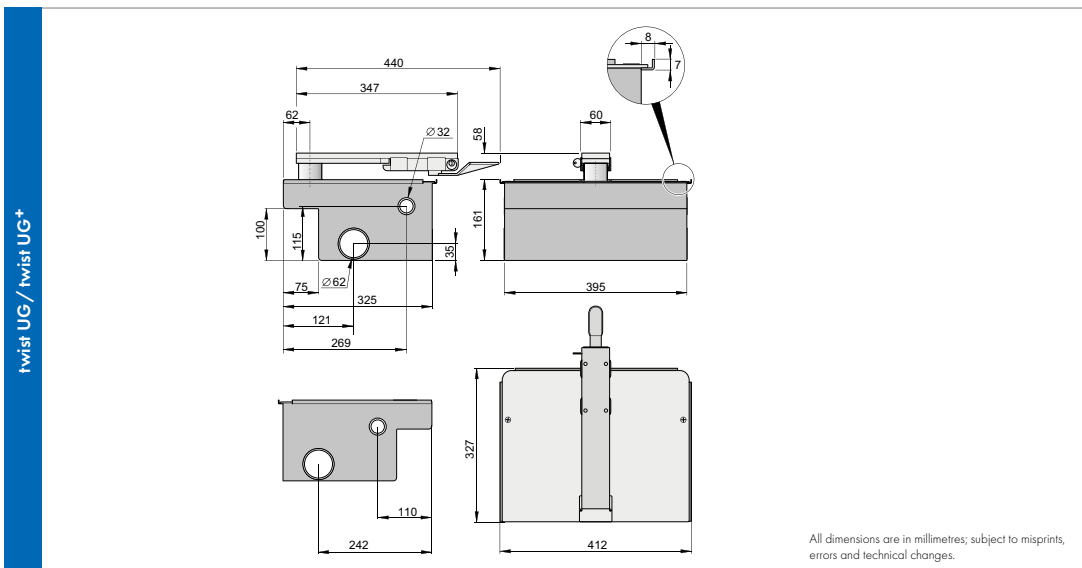
¹⁾ The use of active safety contact strips is mandatory in compliance with the norms and standards listed in the Declaration of Installation, particularly DIN EN 13241.

Type	twist UG	twist UG ⁺
Gate weight per leaf	max. 350 kg ¹⁾²⁾	max. 600 kg ¹⁾³⁾
Gate width per leaf	max. 3,500 mm ¹⁾²⁾	max. 3,500 mm ¹⁾³⁾
Gate inclination	-	
Gate filling	max. 90 % closed (depending on the width and height of the gate)	
Operator principle	Electromechanical swing gate operator	
Housing	Stainless steel or hot-dip galvanised finish	
Motor	High-quality DC gear motor with hall sensor	
Motor safety device	Via microprocessor, power-monitored	
Motor control unit	twist UG DT-C-1	
Voltage supply	AC 220–240 V, 50/60 Hz / Motor voltage DC 24 V	
Angular velocity	10°/s	
Opening angle	max. 105°	
Accident prevention	Through automatic obstacle detection	
Limit switch	Path measurement	
Emergency release	On the operator; secured with a lock, simple operation	
LED-monitored function sequence	Status display; STOP, OPEN, CLOSE; safety devices interior/exterior; electric lock; warning light	
Soft start / soft stop	Controlled soft run in ramp form without power loss	
Connection options	For photocells (2- and 4-wire), safety contact strips (8.2 kOhm), warning light, potential-free relay contact, electric lock, Memo, battery pack	
Automatic closing function	Can be set via DIP switch	
Dead-man function	Yes	
Walk-through door function	Yes	
Pulse mode	OPEN / STOP / CLOSE / STOP /..., defined OPEN/CLOSE can be set	
Close sequence	Self-learning	
Number of radio channels	4	
Operating mode	S3 40 %	
Protection class	Operator: IP67 / Control unit: IP65	
Temperature range	-25 °C to +65 °C	

1) In compliance with the norms and standards listed in the Declaration of Installation, particularly DIN EN 12453.

2) For leaf lengths from 3 m and gate weights of 300 kg or more, active safety contact strips must be used.

3) The use of active safety contact strips is mandatory in compliance with the norms and standards listed in the Declaration of Installation, particularly DIN EN 13241.



Height (m)	Infill (%)			
	2	2.5	3	3.5
1.8	50	30	20	20
1.5	60	40	30	20
1	90	60	40	30
Length (m)	2	2.5	3	3.5

Relation of door surface to filling level



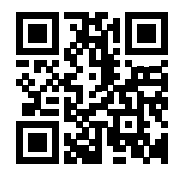
In compliance with DIN EN 1991-1-4 Wind pressure, with values 32.3 m/s, wind zone 2, and 11 on the Beaufort scale.

INSTRUCTIONS



www.som4.me/man-d

CAD DATA



www.som4.me/cad

twist AM

For swing gates with a maximum leaf width of 2.5 m and a maximum leaf weight of 250 kg




ACCU READY



<0.5 W STANDBY



 You can find further information at www.twistam.sommer.eu

Flexible:

- 1- and 2-leaf operation possible
- Fully or semi-automatic closing function. Shortening of the hold open time after driving through is possible.
- The emergency release can also be triggered under full load (e.g. with pressure) with relatively low force
- For gates with large posts (up to approx. 60 x 60 cm)

Secure:

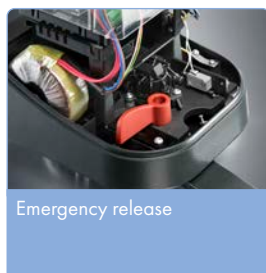
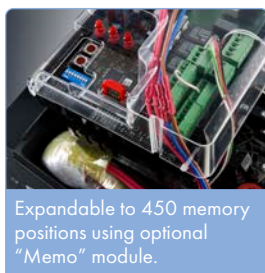
- Bidirectional SOMloq2 radio system (FM 868.95 MHz) for guaranteed convenience and secure encryption
- Certified restriction of closing forces in acc. with EN 12453 by electronic motor monitoring
- Lockable, mechanical emergency release
- Integrated evaluation unit for safety contact strip
- Optional safety devices can be integrated effortlessly (e.g. safety contact strip, photocell, electric gate leaf lock, warning light)
- Connection option for battery pack (in the event of power failure)

Innovative:

- The control unit and transformer are integrated in the operator – making it both compact and quiet
- Automatic learning process - Quick programming of end positions and operating forces with few reference drives
- Versatile setting options and service information with the SOMlink Service interface

Quality:

- The high-quality DC gear motor with hall sensor ensures low wear and a long service life
- Environmentally friendly and cost-effective (uses <0.5 W in standby mode)
- Weatherproof housing



twist AM 1-leaf, set

3734V000

- 1x twist AM master operator with control unit
- Radio receiver FM 868.95 MHz (SOMloq2)
- Pearl Vibe 4-command handheld transmitter (# 4019V000) with noticeable feedback of radio commands via vibration
- One-way photocell, 2-wire (#7023V000)
- Warning light 24 V (# 5069V001)
- Gate post fitting; galvanised steel
- Gate leaf fitting; U-shaped; galvanised steel

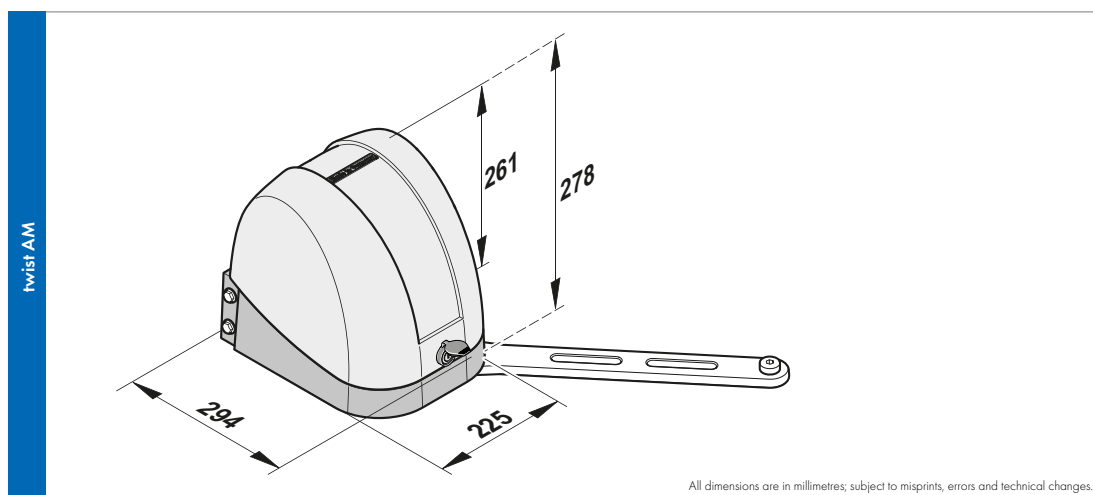
**twist AM 2-leaf, set**

3735V000

- 1x twist AM master operator with control unit and 1x twist AM slave operator
- Radio receiver FM 868.95 MHz (SOMloq2)
- Pearl Vibe 4-command handheld transmitter (# 4019V000) with noticeable feedback of radio commands via vibration
- One-way photocell, 2-wire (#7023V000)
- Warning light 24 V (# 5069V001)
- 2x gate post fitting, galvanised steel
- 2x gate leaf fitting, U-shaped, galvanised steel
- 12 m connection cable



Type	twist AM
Gate weight per leaf	max. 250 kg
Gate width per leaf	max. 2,500 mm
Gate inclination	-
Gate filling	max. 100 % closed (depending on the width and height of the gate)
Operator principle	Electromechanical swing gate operator
Housing	Made of special UV-resistant and non-ageing synthetic material. It is more resistant against brittle fracture than the same housing made of aluminium alloy
Motor	High-quality DC gear motor with hall sensor
Motor safety device	Via microprocessor, power-monitored
Motor control unit	Control unit and transformer integrated in operator (master)
Voltage supply	AC 220–240 V, 50/60 Hz / Motor voltage DC 24 V
Angular velocity	approx. 11 °/s
Opening angle	max. 130°
Accident prevention	Through electronic motor monitoring
Limit switch	Via fixed stop
Emergency release	On the operator; secured with a lock, simple operation
LED-monitored function sequence	Status display; STOP, OPEN, CLOSE; safety devices interior/exterior; electric lock; warning light
Soft start / soft stop	Controlled soft run in ramp form without power loss
Connection options	For photocells (2- and 4-wire), safety contact strip, warning light, external devices, potential-free relay contact, electric lock, Memo
Automatic closing function	Can be set via DIP switch
Dead-man function	Yes
Walk-through door function	Yes
Pulse mode	OPEN / STOP / CLOSE / STOP /..., defined OPEN/CLOSE can be set
Close sequence	Self-learning
Number of radio channels	4
Operating mode	S3 15 %
Protection class	IP44
Temperature range	-25 °C to +65 °C



i The following criteria must be fulfilled for mounting on the gate. Post dimensions must be at least 25 × 25 cm. Material of the posts must have sufficient strength for the forces generated. The installation position of the fittings must be within the permitted values of the A-/B-/C-/D-dimensions.

- If the opening angles of the two gate leaves deviate, the A-/B-/C-/D-dimensions must be selected appropriately.
- Safety distances must comply with the standard for the gate type.
- The intended installation surface on the post must be vertical and flat. The post fitting must be positioned flat during installation. Uneven areas or slopes must be flattened out before installation.

B angle	A		D		200		225		275		350		400	
	C	D	C	D	C	D	C	D	C	D	C	D	C	D
155	720	480	695	480	645	480	570	480	519	480				
		90°		100°		110°		120°		130°				
200	715	480												
		90°												
250	705	480												
		90°												
300	694	480												
		90°												
350	678	480												
		90°												
400	660	480												
		90°												
450	639	480												
		90°												

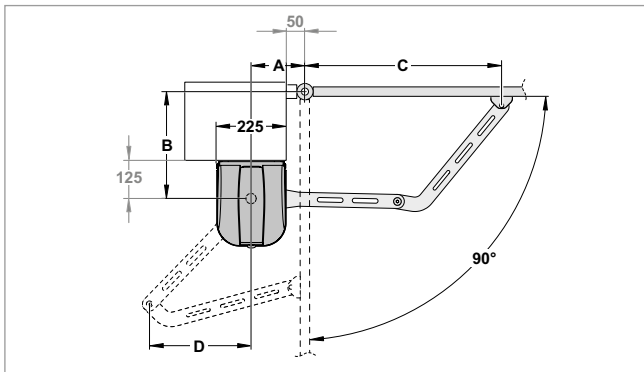


Fig. A-/B-/C-/D-dimensions, opening angle 90°

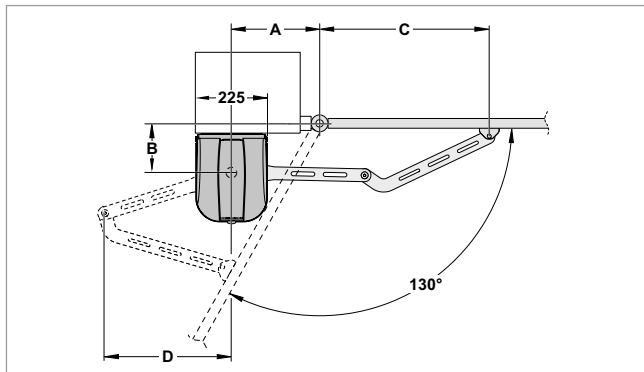


Fig. A-/B-/C-/D-dimensions, opening angle 130°

Height (m)	Infill (%)			
	100	80	40	30
2	100	80	40	30
1.5	100	100	60	40
1	100	100	80	50
Length (m)	1	1.5	2*	2.5*

Relation of door surface to filling level

*Use of an electric lock is recommended.

i INSTRUCTIONS

www.som4.me/man-d

x CAD DATA

www.som4.me/cad

Accessories for swing gate operators



Memo

10373

- Memory extension, pluggable, Plug & Play
- Expands the radio memory to 450 handheld transmitter commands
- Automatic transfer of the handheld transmitter commands from the internal memory of the operator to the Memo
- Simple data backup and transfer of handheld transmitter commands to a new operator if service is required
- Allows the use of transmitter management Codemaster⁺
- For products with radio system SOMloq2 and a Memo slot



Junction box

NEW

S12615-00001

- Plastic housing (IP67, RAL 7035)
- Dimensions: 85 × 49 × 51 mm
- Incl. 2 × cable gland with anti-kink protection



Connecting cable set for twist 200 E/EL

3204V000

- For connection of a second operator to the control unit housing
- Incl. 7 m cable, junction box (IP67) and cable glands



Connecting cable set for twist 350, twist XL, twist UG and twist AM

3271V000

- For connection of a second operator to the control unit housing
- Incl. 12 m cable, junction box (IP67) and cable glands



twist XS conversion set

3248V000

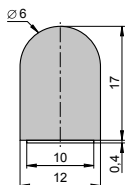
- For the operation of twist 200 E/EL operators at twist XL/XXL control units



Cable gland for twist control unit

S10152-00001

- 2 × M16 × 1.5 WAF22
- 1 × M20 × 1.5 WAF27



Edge protection profile

S10332-00001

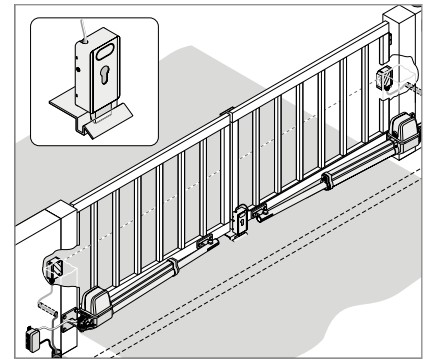
- Length: 6 m
- Colour: black
- Self-adhesive on one side

Accessories for swing gate operators

Electric lock (DC 24 V)

3205V003

- Additional protection against vandalism
- With strike plate and floor strike plate for locking at the side or to the floor
- Without profile cylinder



Cylinder for electric lock

5102V000

- Matching profile cylinder for electric lock (# 3205V003)
- Including 3 keys (length: 40 mm, material: brass)

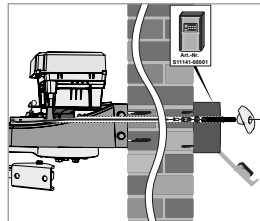
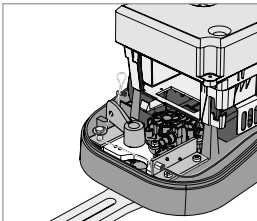


Release set

NEW

S11142-00001

- Wire 5,000 mm, sheath 4,500 mm
- For emergency release from outside for twist AM



KeyGarage key safe

NEW

S11141-00001

- For safe storage of up to 50 keys, or in combination with release set (# S11142-00001), for protection of the release lever against unauthorised access.
- Dimensions: 120 × 83.5 × 62 mm
- Large, stable metal housing
- Individually programmable numeric code (4-digit)

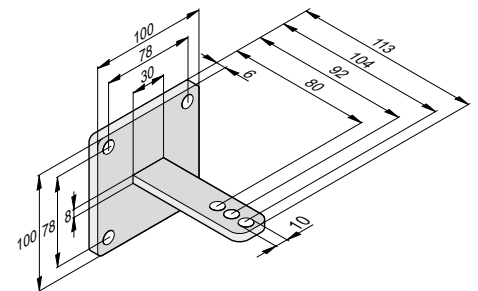
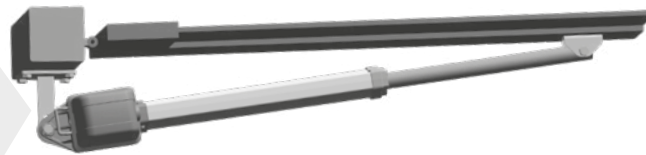


Fittings for twist 200 E/EL

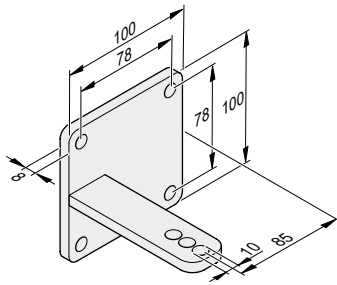
Gate post fitting 50/104, standard

2251V000

- Suitable for use on the left or right
- Galvanised



Fittings for twist 200 E/EL



Gate post fitting 85/104 L + R

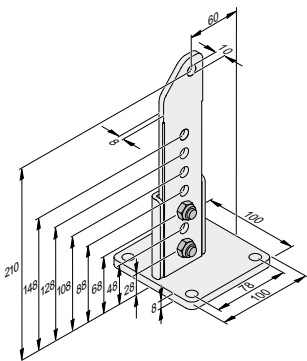
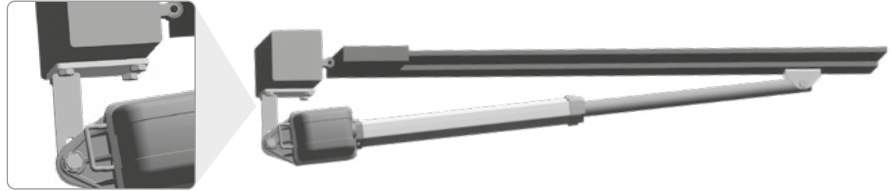
32063V001

- Suitable for use on the left or right
- Galvanised

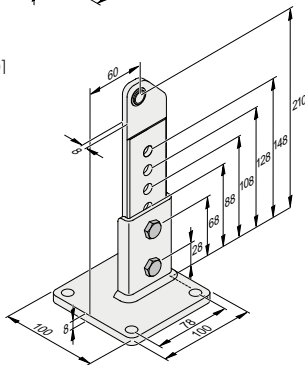
Gate post fitting 85/104 L + R

32063V004

- Suitable for use on the left or right
- **Stainless steel**



S10751-00001



S10758-00001

Gate post fitting 60/210 L

S10751-00001

Gate post fitting 60/210 R

S10755-00001

- Variable setting; galvanised
- Can also be used for twist 350

Gate post fitting with ball joint 60/210 L

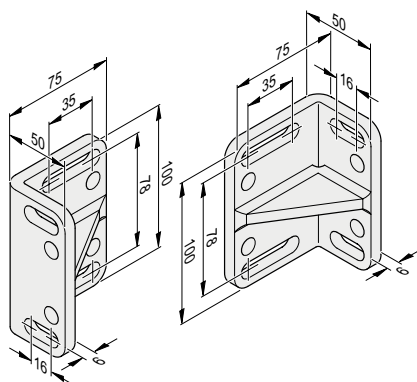
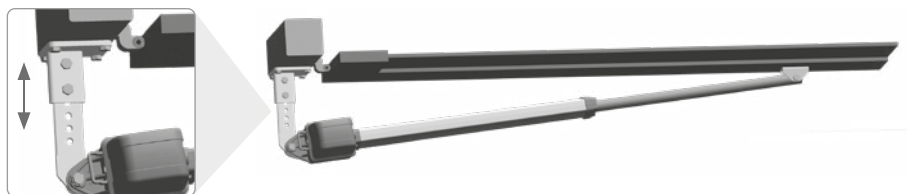
S10758-00001

Gate post fitting with ball joint 60/210 R

S10759-00001

- **For inclined gates (up to a max. gate inclination of 10 %, max. gate leaf weight 120 kg, max. gate leaf width 2.5 m)**
- Variable setting; galvanised

Attention: Please observe the valid standards (e.g. EN 12453; EN 12604; EN 12605; EN 13241; EN 12453) and the installation dimensions.



Bracket for post fitting L + R

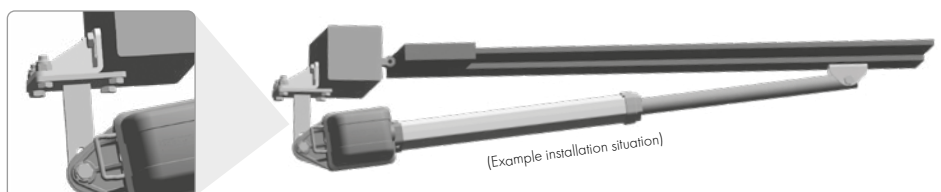
32066

- Galvanised; welded
- Can only be used with gate post fittings # S10751-00001, # S10758-00001, # S10755-00001, # S10759-00001, # 225V000, # 32063V001, # 32063V002 and # 32063V003

Bracket for post fitting L + R

32066V001

- **Stainless steel**; welded
- Can only be used with gate post fitting # 32063V004

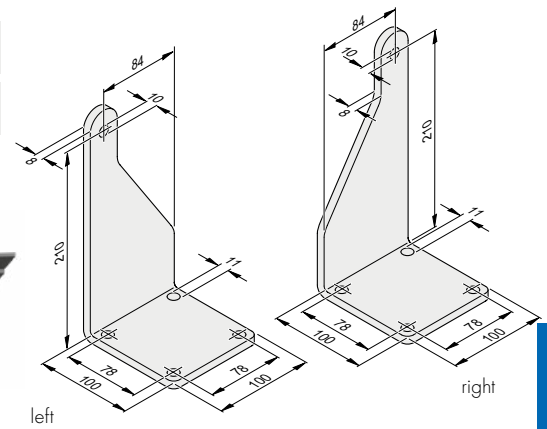
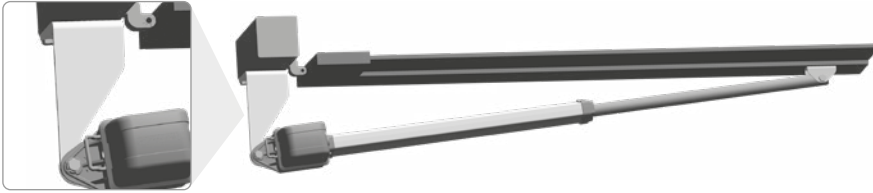


Fittings for twist 200 E/EL

Gate post fitting 84/210 L 32063V002

Gate post fitting 84/210 R 32063V003

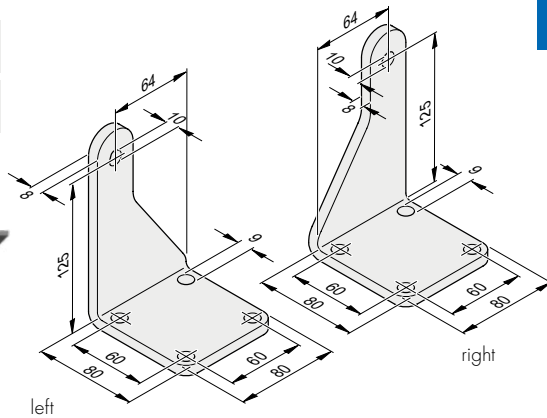
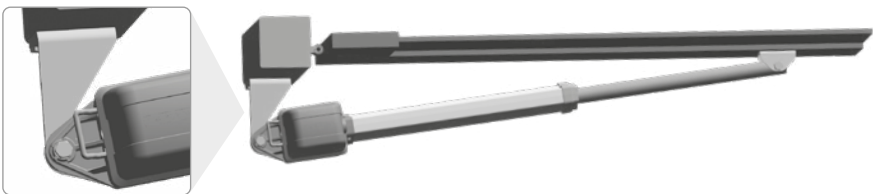
- Hot-dip galvanised



Gate post fitting 64/125 L 32063V174

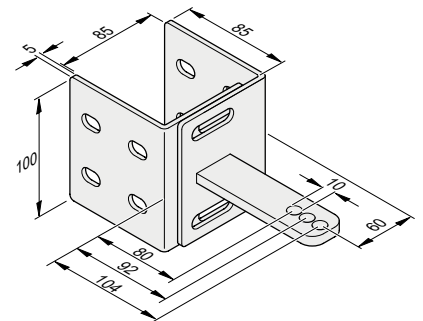
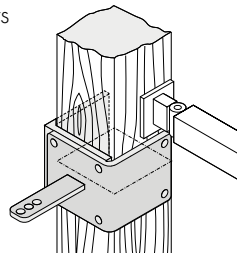
Gate post fitting 64/125 R 32063V175

- Hot-dip galvanised



Gate post fitting 60/104 L + R 3108V000

- Especially for mounting the operator on timber posts
- Variable setting, 90–140 mm post thickness
- Suitable for use on the left or right

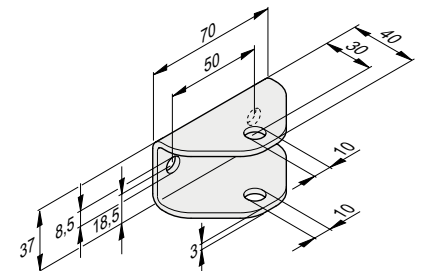


Gate leaf fitting S11179-00001

- Suitable for use on the left or right
- Galvanised

Gate leaf fitting **NEW** S11629-00001

- Suitable for use on the left or right
- Hot-dip galvanised

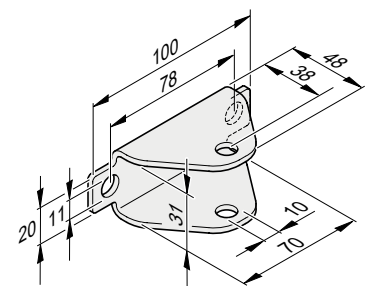


Gate leaf fitting **NEW** S11627-00001

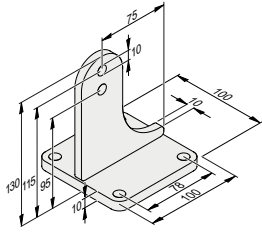
- Suitable for use on the left or right
- Galvanised
- Bore hole spacing matches twist 200 E operators up to date of manufacture 05/2010

Gate leaf fitting **NEW** S11628-00001

- Suitable for use on the left or right
- [Stainless steel](#)
- Bore hole spacing matches twist 200 E operators up to date of manufacture 05/2010



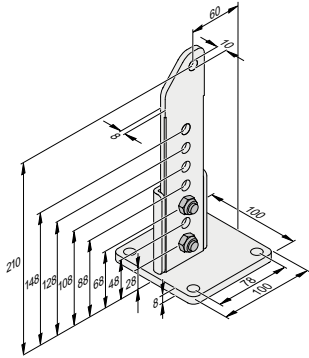
Fittings for twist 350



Gate post fitting 75/115

12295V000

- Suitable for use on the left or right
- Galvanised



Gate post fitting 60/210 L

S10751-00001

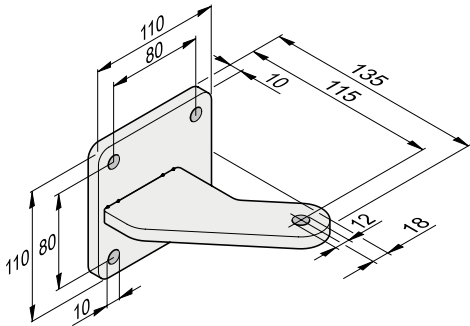
Gate post fitting 60/210 R

S10755-00001

- Variable setting; galvanised
- Can also be used for twist 200 E/EL

S10751-00001

Fittings for twist XL



Gate post fitting 85/115 L + R

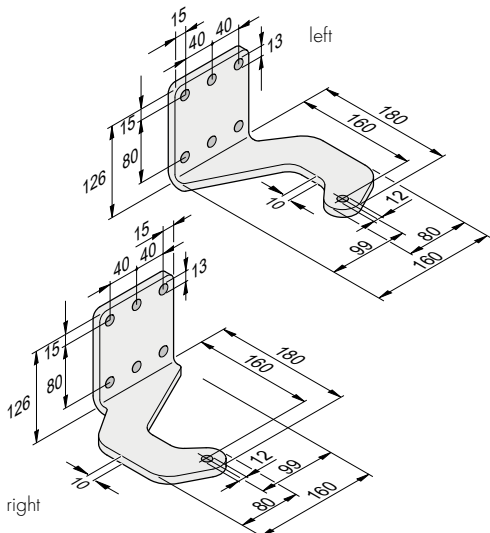
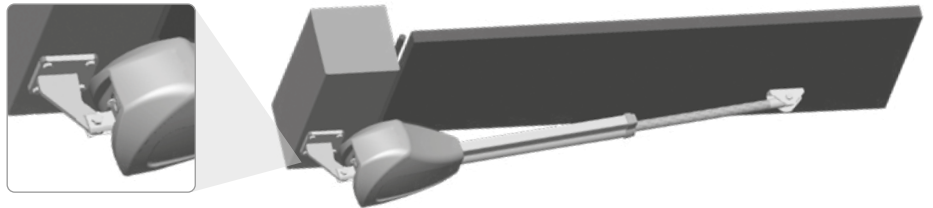
2187V000

- Suitable for use on the left or right
- Galvanised
- Consisting of: Gate post fitting 85/115 L + R standard (#14514V002) and screw material

Gate post fitting 85/115 L + R

14514V009

- Suitable for use on the left or right
- **Stainless steel**



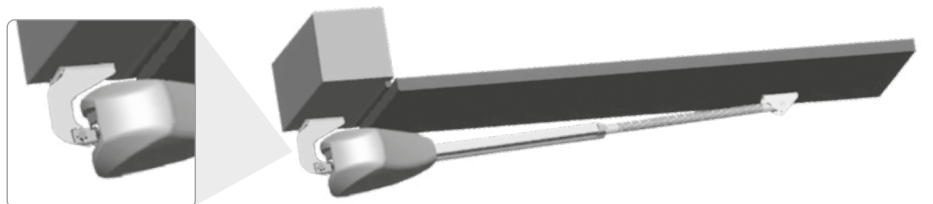
Gate post fitting 100/160 L

14514V005

Gate post fitting 100/160 R

14514V006

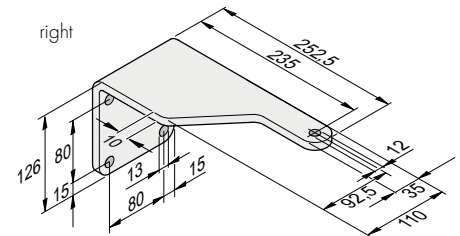
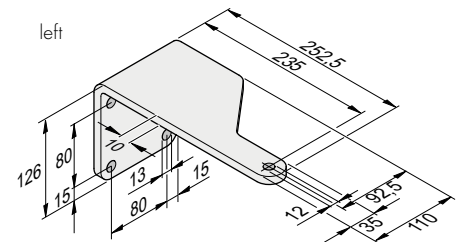
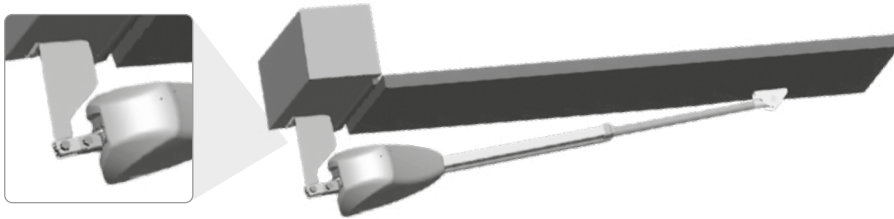
- 160 mm, curved
- Galvanised



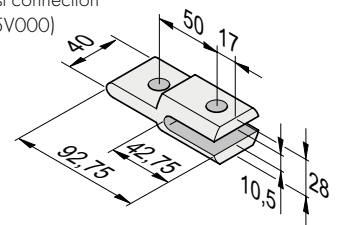
Fittings for twist XL

Gate post fitting 92/235 L	14514V007
Gate post fitting 92/235 R	14514V008
<ul style="list-style-type: none"> Galvanised 	
Gate post connection	14525V000
<ul style="list-style-type: none"> Extension: 50 mm Galvanised 	
Complete set "left leaf"	7613V000
Complete set "right leaf"	7614V000

- Consisting of: Gate post fitting 92/235 L (#14514V007) or gate post fitting 92/235 R (#14514V008), gate post connection (#14525V000) and screw material

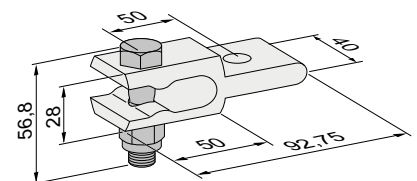


Gate post connection (#14525V000)

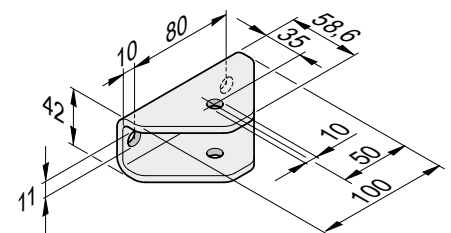


Gate post connection in set	7634V000
<ul style="list-style-type: none"> For inclined gates (up to a max. gate inclination of 10 %, max. gate leaf weight 300 kg, max. gate leaf width 5 m) Extension: 50 mm Galvanised Consisting of: Gate post fitting for inclined gates (#14525V001) and screw material 	

Attention: Please observe the valid standards (e.g. EN 12453; EN 12604; EN 12605; EN 13241; EN 12453) and the installation dimensions.

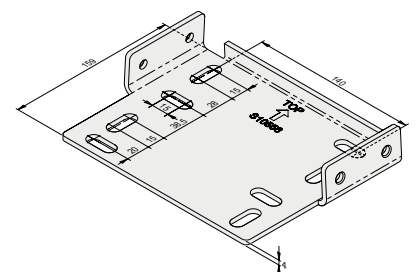


Gate leaf fitting	14521V000
(Already included in the scope of delivery of the twist XLI)	
<ul style="list-style-type: none"> Suitable for use on the left or right Galvanised 	
Gate leaf fitting	14521V001
<ul style="list-style-type: none"> Suitable for use on the left or right Stainless steel 	



Fittings for twist AM

Wall fitting, large	S10556-00001
<ul style="list-style-type: none"> Greater distance between the mounting bores to facilitate installation on difficult surfaces (e.g. bricks) Galvanised 	





Sliding gate operators

Convenience

Can you imagine watching television without a remote control? Unthinkable nowadays. And yet you still get out of your car, walk to your yard gate, open it laboriously by hand, walk back to your car, drive 5 m and then have to get out and walk back again to close it? Or, to save yourself the trouble, you leave your gate open all the time, allowing anyone access to your property.

There's a better way: with modern sliding gate operators. These have long been affordable and quick to install. A simple press of the button is all that is needed, and the gate opens or closes fully automatically. Isn't it time you rewarded yourself with this daily convenience?



Security

- SOMMER door operators are developed and manufactured in Germany and comply with **the latest international standards**
- Our sliding gate operators are tested by independent institutes, so that you and your family can rest assured that you own **a secure and safe operator**
- Accident prevention at the main closing edge by means of electronically-regulated force measurement with DPS (Dynamic Power System) ¹⁾

Technology

- SOMMER places great emphasis on the development of **reliable and durable operators**
- The operators are particularly quick and easy to install



Passive safety contact strips must be used on the main and auxiliary closing edges. A sliding gate must not be used without safety contact strips!

¹⁾ with the exception of SM 40 T and DS 600/1200.

All our sliding gate operators at a glance

Type	STArter	STArter+	SP 900
Door weight	max. 300 kg	max. 400 kg	max. 400 kg
Travel length	max. 6,000 mm	max. 8,000 mm	max. 8,000 mm
Gate inclination	—	—	max. 3.5 % ¹⁾²⁾ with a gate weight of max. 250 kg
Operator principle	24 V DC gear motor		24 V DC gear motor
Self-locking	By means of worm gear		By means of worm gear and electromechanical locking
Opening speed	max. 170 mm/s	max. 240 mm/s	max. 285 mm/s
Standby power consumption	~2 W		~0.5 W
Motor safety device	Yes, via microprocessor, power-monitored		Yes, via microprocessor, power-monitored
Voltage supply	AC 220–240 V, 50/60 Hz Motor voltage DC 24 V		AC 220–240 V, 50/60 Hz Motor voltage DC 24 V
Limit switch	By means of electronic limit switch (contactless) with fine adjustment		By means of electronic limit switch (contactless) with fine adjustment
Motor control unit	Integrated in the housing of the operator, pluggable		Integrated in the housing of the operator
DC output	Yes (24 V)		Yes (photocell: 20 V / 400 mA; warning light unregulated 24 V / 0.8 A)
Pre-warning time can be selected	Yes		Yes
Soft start / soft stop	Controlled soft run in ramp form without power loss		Controlled soft run in ramp form without power loss, can be set to the centimetre
Connection options	1 x warning light, photocell, safety contact strips (evaluation for electric (8.2 kOhm) or optical safety contact strips integrated), potential-free relay contact, 1x on or impulse button, 1x off button		1x warning light, 1x photocell (2- or 4-wire), 2x safety contact strips 8.2 kOhm or optical safety contact strip, 1x potential-free relay contact, 1x on button, 1x stop button, 1x off button, 1x pulse button, 1x partial opening button, 1x emergency stop, 1x battery pack; optional: radio-based safety contact strips, 2 each for ON/OFF, key switch, integrated timer input
Function of the safety connection	Adjustable		Adjustable
Automatic closing in t (time)	Adjustable from 1–120 s		Adjustable from 0–255 seconds
Dead-man function	Yes, can be activated via TorMinal		Yes
Only in combination with TorMinal	Cycle counter, potential-free relay output (function adjustable)		Cycle counter, potential-free relay output (function adjustable), last error code, ...
Direction of movement activation	Defined OPEN/CLOSE can be set		Defined OPEN/CLOSE can be set
Partial opening	Adjustable		Adjustable; also from open position
Number of radio channels	2		4
Number of pulse inputs	2		6
Number of safety inputs	2		3
Operating mode	S3 30 %		S3 40 %
Protection class	IP54		Operator: IP44 / Control unit: IP64
Temperature range	-20 °C to +50 °C		-20 °C to +60 °C
Gear teeth dimensions	Module 4 / 19 teeth		Module 4 / 18 teeth

1) In compliance with the norms and standards listed in the Declaration of Installation, particularly DIN EN 13241.

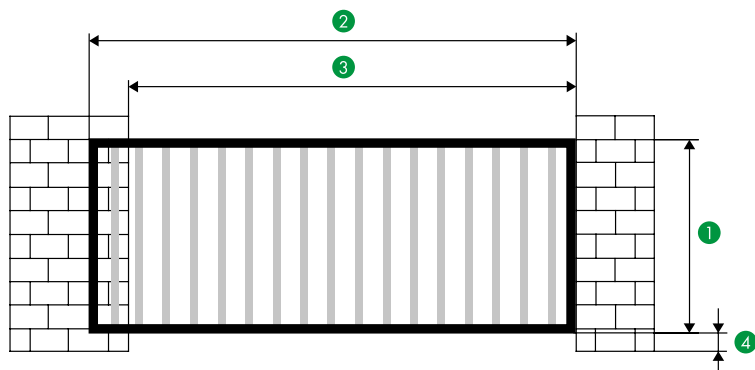
2) Use of a radial damper is recommended.

All our sliding gate operators at a glance

RUNner	RUNner+	SM 40 T	DS 600	DS 1200
max. 600 kg	max. 800 kg	max. 600 kg	max. 600 kg	max. 1,200 kg
max. 8,000 mm	max. 12,000 mm	max. 12,000 mm	max. 15,000 mm	max. 20,000 mm
–	–	–	max. 5 % ¹⁾²⁾	
24 V DC gear motor		Oil bath geared motor in compact aluminium die cast housing	High-performance geared motor with precision worm gear	
by means of worm gear		by means of worm gear	by means of worm gear	
max. 210 mm/s	max. 190 mm/s	max. 170 mm/s	approx. 220 mm/s	approx. 200 mm/s
~0.5 W		~3.5 W	~3.5 W	~3.5 W
yes, via microprocessor, power-monitored		–	–	–
AC 220–240 V, 50/60 Hz Motor voltage DC 24 V		AC 230 V, 50 Hz	AC 400 V, 50 Hz 0.37 kW	AC 400 V, 50 Hz 1.1 kW
By means of electronic limit switch (contactless) with fine adjustment		By means of magnetic limit switches	By means of limit switch	Via limit switch and eddy current brake
Integrated in the housing of the operator		T100 integrated in the housing of the operator	ACM 400 S; LED-monitored function sequence	
Yes (photocell: 20 V / 400 mA; warning light unregulated 24 V / 0.8 A)		Yes (DC 24 V, max. 0.15 A)	AC 24 V + DC 12 V	
Yes		Yes	Yes	
Controlled soft run in ramp form without power loss, can be set to the centimetre		No	No	
1x warning light, 1x photocell (2- or 4-wire), 2x safety contact strips 8.2 kOhm or optical safety contact strip, 1x potential-free relay contact, 1x on button, 1x stop button, 1x off button, 1x pulse button, 1x partial opening button, 1x emergency stop, 1x battery pack; optional: radio-based safety contact strips, 2 each for ON/OFF, key switch, integrated timer input		Warning light, photocell, safety contact strips (electric (8.2 kOhm) or optical) - only possible in combination with evaluation electronics, key switch	For emergency stop, courtyard and warning light, photocell, electrical (8.2 kOhm) or optical safety contact strips	
Adjustable		–	adjustable	
Adjustable from 0–255 seconds		Adjustable from 1 second to 15 minutes	Adjustable from 2 to 196 seconds	
Yes		No	Yes	
Cycle counter, potential-free relay output (function adjustable), last error code, ...		No	No	
Defined OPEN/CLOSED		No	Defined OPEN/CLOSE can be set	
Adjustable; also from open position		Adjustable	Adjustable	
4		2	2	
6		3	3	
3		2	6	
S3 40 %		S3 40 %	S3 40 %	
IP54		IP44	Operator: IP44 / Control unit: IP65	
–30 °C to +50 °C		–20 °C to +70 °C	–20 °C to +50 °C	
Module 4 / 19 teeth		Module 4 / 18 teeth	Module 4 / 20 teeth	

Checklist for sliding gate operators

Gate leaf

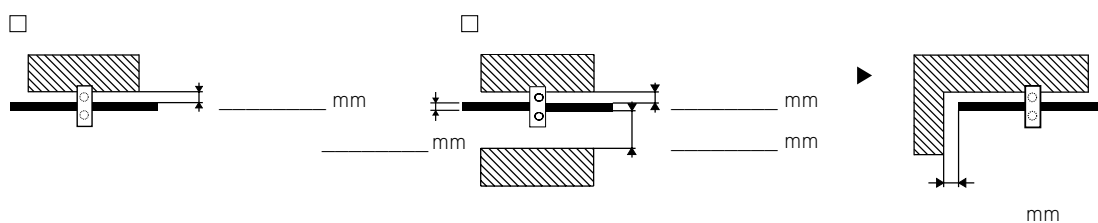


Weight and sizes

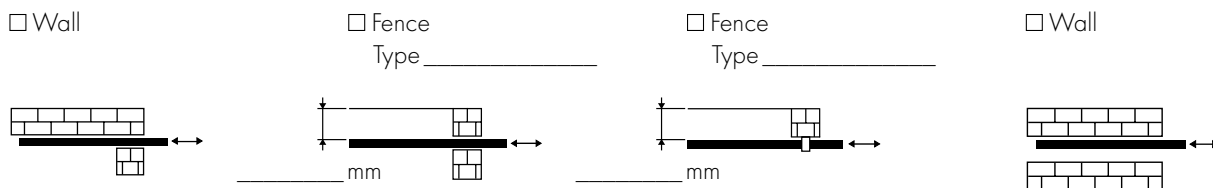
	Gate leaf weight	_____ kg
①	Gate leaf height	_____ mm
②	Gate leaf width	_____ mm
③	Clearance	_____ mm
④	Ground-bottom edge of gate	_____ mm
	Max. travel length	_____ mm

Post situation

Dimensioning



Post situation from above (for calculation of the safety contact strips)



Checklist for sliding gate operators

Additional information

Does the gate have an inclination?

- No
- Yes, _____% (max. 5% inclination)

Does the gate have a full surface closed infill?

- Yes
- No, type _____

Power connection:

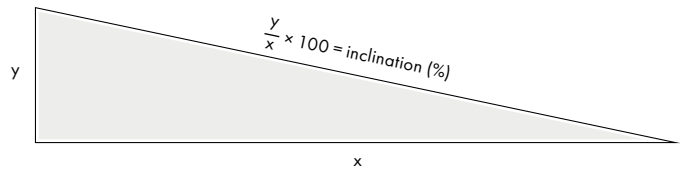
- 230 V
- 400 V

Opening operations per day:

Opening operations per hour:

Use of the gate:

- Private
- Public/commercial



Example for calculation of the inclination:

x = 10 m y = 0.1 m

$0.1 \text{ m} / 10 \text{ m} \times 100 = 0.01 \times 100 = 1\%$ inclination

Mode of operation

- Pulse mode
- Dead man mode
(only possible without radio)
- Automatic mode
(only in combination with photocells)

Accessories

1. Operation

- Handheld transmitter _____ pcs.
- Key switch
 - Flush-mounted
 - Surface-mounted
- Telecody+
- Rod antenna
- Traffic light control (DS 600/DS 1200 only)
- Access systems
- Fingerprint (ENTRASys+)

2. Security

- Safety contact strip _____ pcs.
- Photocell _____ pcs.
- Warning light
- Main switch
- Motor protection switch
- Evaluation electronics for safety contact strip



It is important that the gate can be opened and closed easily by hand. The force requirement here is 150 N for private and 260 N for commercial use.



Simply fill in the checklist, enter your contact data and submit to SOMMER together with your inquiry.
You can download the checklist at www.som4.me/chkl.
You can find further information at www.som4.me/man-s.

Company stamp / customer number _____
(The customer number is required for processing.)

STArter

The compact sliding gate operator for gates with a travel length of up to 6 m and a gate weight of 300 kg

Advantages

- No active safety contact strip on the main closing edge necessary ¹⁾²⁾
- Maintenance-free operator with long service life
- High level of security through fully automatic force memory
- 24 V technology with controlled soft run
- Pre-installed test network cable
- Can be configured for automatic closing and partial opening
- STA-1 motor control unit:
 - pluggable, integrated in the housing
 - with connection for TorMinal
- Manual unlocking:
With SOMMER sliding gate operators, the gate can be locked and unlocked easily in every position.
- Rack:
Plastic rack with steel core ensures smooth and quiet door operation
- With all-purpose base plate for simple installation
- Compact design
- Resilient, corrosion-resistant

1) In compliance with the norms and standards listed in the Declaration of Installation, particularly DIN EN 13241. 2) Does not apply for STArter*.



STArter set

3540V007

- STArter sliding gate operator
- Motor control unit with integrated radio receiver (FM 868.8 MHz Somloq Rollingcode)
- Universal mounting base plate (H = 15 mm)
- 4-command handheld transmitter Pearl (# 4018V000)
- 4 m plastic rack with steel core incl., mounting material (expandable to max. 6,000 mm)



STArter single operator

3550V000

- STArter sliding gate operator
- Motor control unit with integrated radio receiver (FM 868.8 MHz Somloq Rollingcode)
- Universal mounting base plate (H = 15 mm)

STArter⁺

The compact sliding gate operator for gates with a movement range of up to 8 m and a gate weight of 400 kg

STArter⁺ set 3541V004

Advantages: see left

- STArter⁺ sliding gate operator
- Motor control unit with integrated radio receiver (FM 868.8 MHz Somloq Rollingcode)
- Universal mounting base plate (H = 15 mm)
- 4-command handheld transmitter Classic (# 4018V000)
- 4 m plastic rack with steel core incl. mounting material (expandable to max. 8,000 mm)



STArter⁺ single operator 3551V000

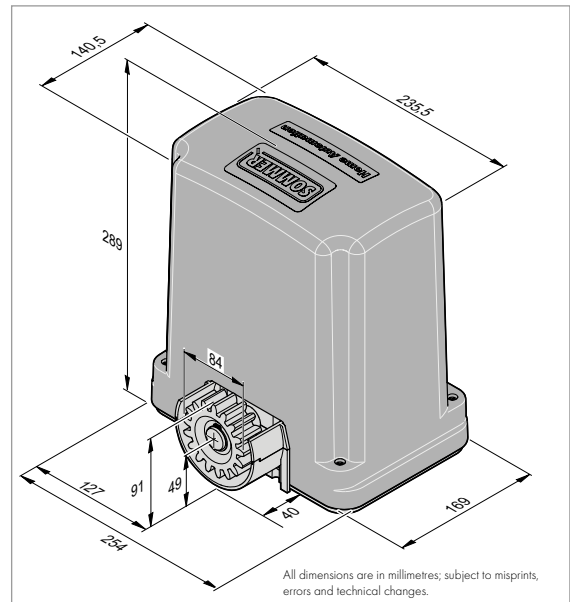
Advantages: see left

- STArter⁺ sliding gate operator
- Motor control unit with integrated radio receiver (FM 868.8 MHz Somloq Rollingcode)
- Universal mounting base plate (H = 15 mm)



Type	STArter	STArter ⁺
Door weight	max. 300 kg	max. 400 kg
Travel length	max. 6,000 mm	max. 8,000 mm
Gate inclination	—	—
Operator principle	24 V DC gear motor	
Self-locking	By means of worm gear	
Opening speed	max. 170 mm/s	max. 240 mm/s
Standby power consumption	~2 W	
Motor safety device	Yes, via microprocessor, power-monitored	
Voltage supply	AC 220–240 V, 50/60 Hz; motor voltage DC 24 V	
Limit switch	By means of electronic limit switch (contactless) with fine adjustment	
Motor control unit	Integrated in the housing of the operator, pluggable	
DC output	Yes (24 V)	
Pre-warning time can be selected	Yes	
Soft start / soft stop	Controlled soft run in ramp form without power loss	
Connection options	1 x warning light, photocell, safety contact strips (evaluation for electric (8.2kOhm) or optical safety contact strips integrated), potential-free relay contact, 1x on or impulse button, 1x off button	
Function of the safety connection	Adjustable	
Automatic closing in t (time)	Adjustable from 1–120 s	
Dead-man function	Yes, can be activated via TorMinal	
Only in combination with TorMinal	Cycle counter, potential-free relay output (function adjustable)	
Direction of movement activation	Defined OPEN/CLOSE can be set	
Partial opening	Adjustable	
Number of radio channels	2	
Number of pulse inputs	2	
Number of safety inputs	2	
Mode of operation	S3 30 %	
Protection class	IP54	
Temperature range	–20 °C to +50 °C	
Gear teeth dimensions	Module 4 / 19 teeth	

i Active safety contact strips must be used on the main and auxiliary closing edges. Sliding gates must not be operated together with the STArter⁺ without active safety contact strips!



VIDEO

www.som4.me/vid-p

INSTRUCTIONS

www.som4.me/man-s

CAD DATA

www.som4.me/cad

SP 900

The robust and “invisible” sliding gate operator in the post, for gates with a travel length of up to 8 m and a gate weight of 400 kg

Advantages

- No active safety contact strip on the main closing edge necessary ¹⁾
 - Speed and additional parameters can be adjusted automatically to the gate size and gate weight
 - Integrated electric lock ensures high automatic self-locking
 - Suitable for gates with an inclination of up to 3.5 % ¹⁾²⁾
 - Automatic detection of safety contact strips (8.2 kOhm or OSE) and photocells (2- and 4-wire)
 - Automatic and semi-automatic closing function can be set
 - Gate opening direction can be set with selection switch
 - Energy-saving ring core transformer is environmentally friendly and saves money
 - Connection option for battery pack ³⁾
 - Rigid construction thanks to real box profile; also ideal for high gate leaves
 - Dead-man function
- 2 packages = more flexibility:**
- Post and operator unit are supplied in two packages for easy handling
 - No need to dismantle operators before painting



<0.5 W STANDBY



ACCU READY

1) In compliance with the norms and standards listed in the Declaration of Installation, particularly DIN EN 13241. 2) max. 250 kg gate weight; use of radial damper is recommended. 3) Battery pack with SP 900 only compatible with control units from Rev. G and software version 1.6. 4) Raw material without surface finish.



Post unit SP 900 (1,500 mm) 3712V000

- Aluminium post (bare aluminium⁴⁾) with post cover
- Floor plate

Post unit SP 900 (2,100 mm) 3710V000

- Aluminium post (bare aluminium⁴⁾) with post cover
- Floor plate
- Clamping claws set

Post unit SP 900 without recess (1,500 mm) 3713V000

- Opposite post matches SP 900
- Aluminium post (bare aluminium⁴⁾) with post cover
- Floor plate

Post unit SP 900 without recess (2,100 mm) 3700V005

- Opposite post matches SP 900
- Aluminium post (bare aluminium⁴⁾) with post cover
- Floor plate
- Clamping claws set

Operator unit SP 900 NEW S11568-00001

- Motor unit
- Control unit in housing
- SOMup4 radio receiver (FM 868.95 MHz SOMloq2, 40 radio memory positions), pluggable
- Slot for Memo memory extension (450 radio commands)
- Transmitters can be programmed and deleted and information on the radio receiver viewed via the SOMlink service interface.



You can find matching tooth racks on page 104 (please order separately).

Operator unit SP 900 with increased shaft adjustment range

- Motor unit
- Control unit in housing
- SOMup4 radio receiver (FM 868.95 MHz SOMloq2, 40 radio memory positions), pluggable
- Slot for Memo memory extension (450 radio commands)
- Transmitters can be programmed and deleted and information on the radio receiver viewed via the SOMlink service interface.
- Shaft with increased adjustment range for more flexibility of individual solutions



40 mm adjustment range incl. shield S 11815-00001

50 mm adjustment range incl. shield S 11816-00001

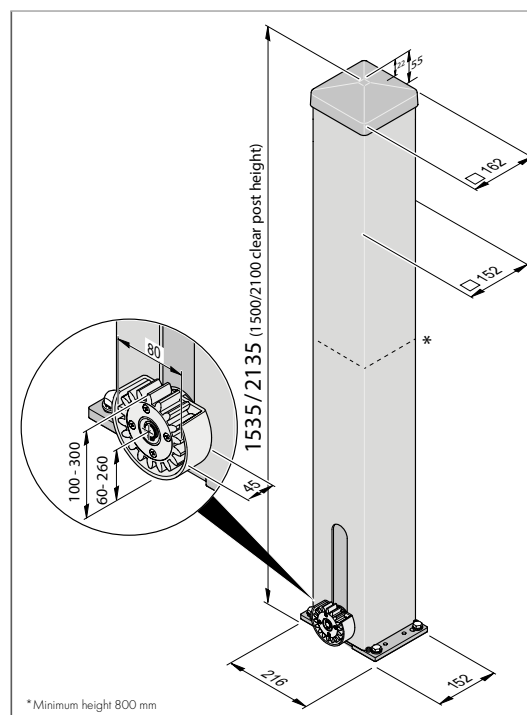
100 mm adjustment range S 11817-00001

NEW

NEW

NEW

Type	SP 900
Door weight	max. 400 kg
Travel length	max. 8,000 mm
Gate inclination	max. 3.5 % ¹⁾²⁾ with a gate weight of up to 250 kg
Operator principle	24 V DC gear motor
Self-locking	By means of worm gear and electromechanical locking
Opening speed	max. 285 mm/s
Standby power consumption	~0.5 W
Motor safety device	Yes, via microprocessor, power-monitored
Voltage supply	AC 220–240 V, 50/60 Hz; motor voltage DC 24 V
Limit switch	By means of electronic limit switch (contactless) with fine adjustment
Motor control unit	Integrated in the housing of the operator
DC output	Yes (photocell: 20 V / 400 mA; warning light unregulated 24 V / 0.8 A)
Pre-warning time can be selected	Yes
Soft start / soft stop	Controlled soft run in ramp form without power loss, can be set to the centimetre
Connection options	1x warning light, 1x photocell (2- or 4-wire), 2x safety contact strips 8.2 kOhm or optical safety contact strip, 1x potential-free relay contact, 1x on button, 1x stop button, 1x off button, 1x pulse button, 1x partial opening button, 1x emergency stop, 1x battery pack; optional: radio-based safety contact strips, 2 each for ON/OFF, key switch, integrated timer input
Function of the safety connection	Adjustable
Automatic closing in t (time)	Adjustable from 0–255 seconds
Dead-man function	Yes
Only in combination with TorMinal	Cycle counter, potential-free relay output (function adjustable), last error code, ...
Direction of movement activation	Defined OPEN/CLOSE can be set
Partial opening	Adjustable; also from open position
Number of radio channels	4
Number of pulse inputs	6
Number of safety inputs	3
Operating mode	S3 40 %
Protection class	Operator: IP44 / Control unit: IP64
Temperature range	-20 °C to +60 °C
Gear teeth dimensions	Module 4 / 18 teeth



*Minimum height 800 mm
All dimensions are in millimetres; subject to misprints, errors and technical changes.

1) In compliance with the norms and standards listed in the Declaration of Installation, particularly DIN EN 13241.

2) Use of a radial damper is recommended.

VIDEO

www.som4.me/vid-p

INSTRUCTIONS

www.som4.me/man-s

CAD DATA

www.som4.me/cad

RUNner

The powerful sliding gate operator for gates with a travel length of up to 8 m and a gate weight of 600 kg

Advantages

- No active safety contact strip on the main closing edge necessary ¹⁾²⁾
- Maintenance-free operator with long service life
- High level of security through fully automatic force memory
- 24 V technology with controlled soft run
- Automatic detection of safety contact strips (8.2 kOhm or OSE) and photocells (2- and 4-wire)
- Energy-saving ring core transformer is environmentally-friendly and saves money
- Connection option for battery pack
- Automatic or semi-automatic closing function from end position and partial opening possible; adjustable partial opening
- Gate opening direction can be set with selection switch
- Pre-warning function and dead man mode



<0.5 W STANDBY



ACCU READY

1) In compliance with the norms and standards listed in the Declaration of Installation, particularly DIN EN 13241. 2) Does not apply for RUNner*.



RUNner

NEW

- RUNner sliding gate operator
- Motor control unit
- SOMup4 radio receiver (FM 868.95 MHz SOMloq2, 40 radio memory positions), pluggable
- Slot for Memo memory extension (450 radio commands)
- Transmitters can be programmed and deleted and information on the radio receiver viewed via the SOMlink service interface.



Set

S11813-00001

- Pearl Vibe 4-command handheld transmitter (# 4019V000) with noticeable feedback of radio commands via vibration
- 4 m plastic rack with steel core incl. mounting material (expandable to max. 8,000 mm)



Single operator

S11566-00001

RUNner⁺

The powerful sliding gate operator for gates with a movement range of up to 12 m and a gate weight of 800 kg

RUNner⁺

NEW



Advantages: see left

- RUNner⁺ sliding gate operator
- Motor control unit
- SOMup4 radio receiver (FM 868.95 MHz SOMloq2, 40 radio memory positions), pluggable
- Slot for Memo memory extension (450 radio commands)
- Transmitters can be programmed and deleted and information on the radio receiver viewed via the SOMlink service interface.

Set

S11814-00001

- Pearl Vibe 4-command handheld transmitter (# 4019V000) with noticeable feedback of radio commands via vibration
- 4 m steel rack incl. mounting material (expandable to max. 12,000 mm)



Single operator

S11567-00001

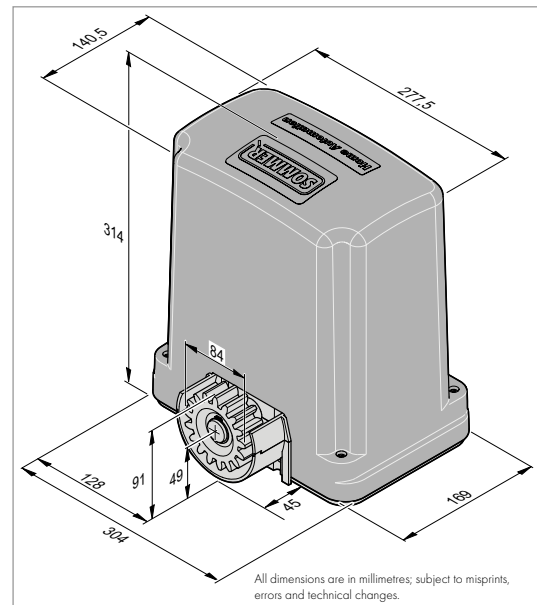


RUNner / RUNner⁺

Type	RUNner	RUNner ⁺
Door weight	max. 600 kg	max. 800 kg
Travel length	max. 8,000 mm	max. 12,000 mm
Gate inclination	-	
Operator principle	24 V DC gear motor	
Self-locking	by means of worm gear	
Opening speed	max. 210 mm/s	max. 190 mm/s
Standby power consumption	~0.5 W	
Motor safety device	Yes, via microprocessor, power-monitored	
Voltage supply	AC 220–240 V, 50/60 Hz; motor voltage DC 24 V	
Limit switch	By means of electronic limit switch (contactless) with fine adjustment	
Motor control unit	Integrated in the housing of the operator	
DC output	Yes (photocell: 20 V / 400 mA; warning light unregulated 24 V / 0.8 A)	
Pre-warning time can be selected	Yes	
Soft start / soft stop	Controlled soft run in ramp form without power loss, can be set to the centimetre	
Connection options	1x warning light, 1x photocell (2- or 4-wire), 2x safety contact strips 8.2 kOhm or optical safety contact strip, 1x potential-free relay contact, 1x on button, 1x stop button, 1x off button, 1x pulse button, 1x partial opening button, 1x emergency stop, 1x battery pack; optional: radio-based safety contact strips, 2 each for ON/OFF, key switch, integrated timer input	
Function of the safety connection	Adjustable	
Automatic closing in t (time)	Adjustable from 0–255 seconds	
Dead-man function	Yes	
Only in combination with TorMinal	Cycle counter, potential-free relay output (function adjustable), last error code, ...	
Direction of movement activation	Defined OPEN/CLOSED	
Partial opening	Adjustable; also from open position	
Number of radio channels	4	
Number of pulse inputs	6	
Number of safety inputs	3	
Operating mode	S3 40 %	
Protection class	IP54	
Temperature range	-30 °C to +50 °C	
Gear teeth dimensions	Module 4 / 19 teeth	



Active safety contact strips must be used on the main and auxiliary closing edges. Sliding gates must not be operated together with the RUNner⁺ without active safety contact strips! In the case of gates with a weight exceeding 600 kg, operation is only permissible with steel racks.



INSTRUCTIONS



www.som4.me/man-s

CAD DATA



www.som4.me/cad



SM 40 T

The high-power sliding gate operator for gates with a movement range of up to 12 m and a gate weight of 600 kg

Advantages

- Can be manually released in any position (in the event of a power failure)
- High-performance and inexpensive
- Wear-free limit stops



SM 40 T set with key switch

3500V000

- Sliding gate operator SM 40 T
- T100 motor control unit
- Key switch, 1-contact with cylinder (surface-mounted), IP54
- Radio receiver FM 868.8 MHz (Somloq Rollingcode)
- 4-command handheld transmitter Classic (# 4020V000)
- 4 m plastic rack with steel core incl., mounting material (expandable to max. 12,000 mm)



SM 40 T set with photocell

3504V000

- Sliding gate operator SM 40 T
- T100 motor control unit
- Photocell
- Radio receiver FM 868.8 MHz (Somloq Rollingcode)
- 4-command handheld transmitter Classic (# 4020V000)
- 4 m plastic rack with steel core incl., mounting material (expandable to max. 12,000 mm)



SM 40 T single operator

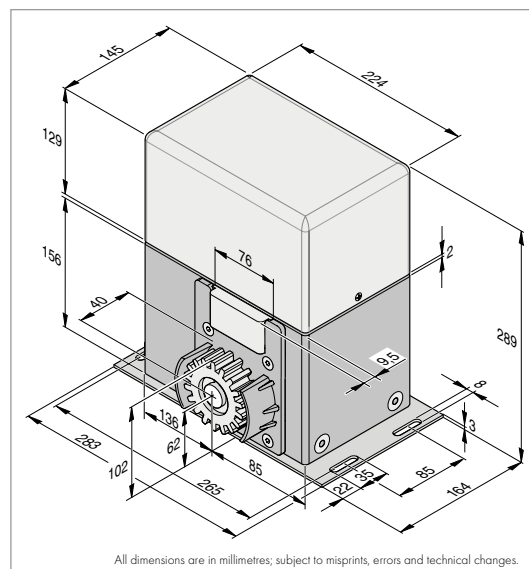
5822V002

- Sliding gate operator SM 40 T
- T100 motor control unit
- Radio receiver FM 868.8 MHz (Somloq Rollingcode)

Type	SM 40 T
Door weight	max. 600 kg
Travel length	max. 12,000 mm
Gate inclination	–
Operator principle	Oil bath geared motor in compact aluminium die cast housing
Self-locking	By means of worm gear
Opening speed	max. 170 mm/s
Standby power consumption	~3.5 W
Motor safety device	–
Voltage supply	AC 230 V, 50 Hz
Limit switch	By means of magnetic limit switches
Motor control unit	T100 integrated in the housing of the operator
DC output	Yes (DC 24 V, max. 0.15 A)
Pre-warning time can be selected	Yes
Soft start / soft stop	No
Connection options	Warning light, photocell, safety contact strips (electric (8.2 kOhm) or optical) - only possible in combination with evaluation electronics, key switch
Function of the safety connection	–
Automatic closing in t (time)	Adjustable from 1 second to 15 minutes
Dead-man function	No
Only in combination with TorMinal	No
Direction of movement activation	No
Partial opening	Adjustable
Number of radio channels	2
Number of pulse inputs	3
Number of safety inputs	2
Mode of operation	S3 40 %
Protection class	IP44
Temperature range	-20 °C to +70 °C
Gear teeth dimensions	Module 4 / 18 teeth



Active safety contact strips must be used on the main and auxiliary closing edges. Sliding gates must not be operated together with the SM 40 T without active safety contact strips!



I INSTRUCTIONS



www.som4.me/man-s

DS 600 / DS 1200

Our strongest sliding gate operators for gates with a travel length of up to 20 m and a gate weight of 1,200 kg

Advantages

- Ideal for heavy gates, particularly if used on commercial sites
- Reliable and robust operator (IP44) with high-performance gear motor
- Control unit with numerous additional functions, e.g. dead man operation
- Connection options e.g. for emergency stop, warning light, photocell and safety contact strips



DS 600

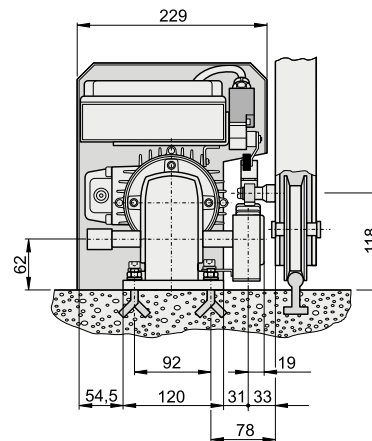
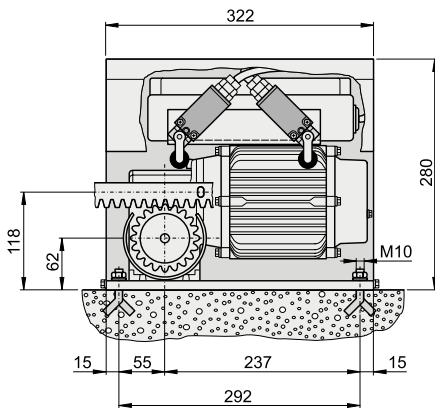
3408V000

- DS 600 sliding gate operator
- Motor control unit ACM 400 S
- Prepared for radio receiver, 4-channel (#7000V000)

DS 1200

3409V000

- DS 1200 sliding gate operator
- Motor control unit ACM 400 S
- Prepared for radio receiver, 4-channel (#7000V000)



All dimensions are in millimetres; subject to misprints, errors and technical changes.

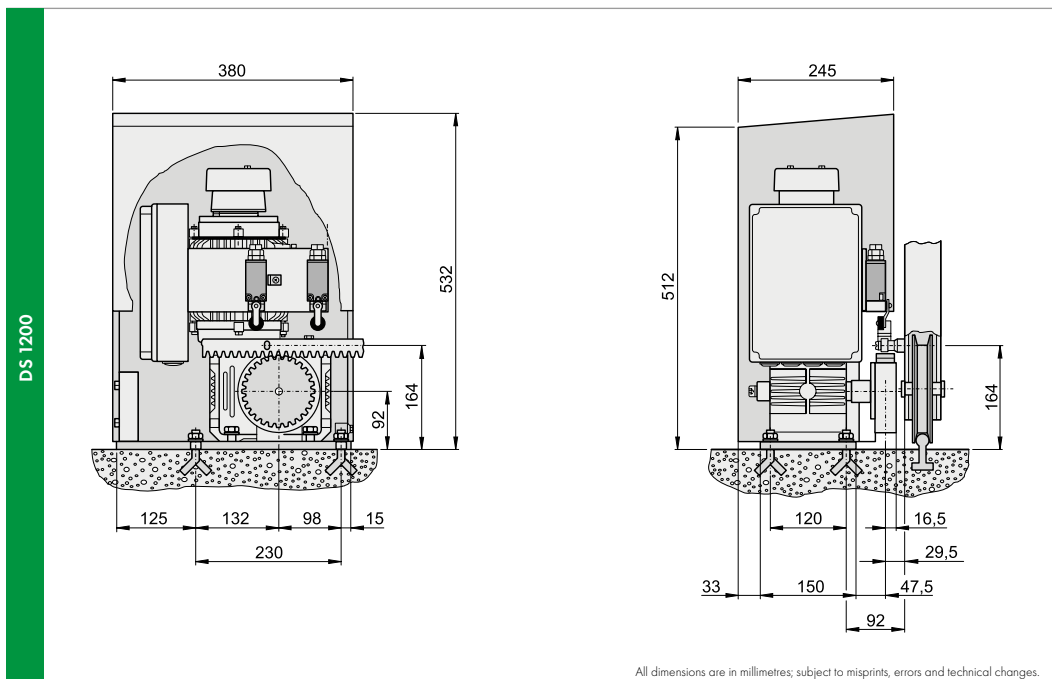
Type	DS 600	DS 1200
Door weight	max. 600 kg	max. 1,200 kg
Travel length	max. 15,000 mm	max. 20,000 mm
Gate inclination	max. 5 % ¹⁾²⁾	
Operator principle	High-performance geared motor with precision worm gear	
Self-locking	by means of worm gear	
Opening speed	approx. 220 mm/s	approx. 200 mm/s
Standby power consumption	~3.5 W	~3.5 W
Motor safety device	-	-
Voltage supply	AC 400 V, 50 Hz 0.37 kW	AC 400 V, 50 Hz 1.1 kW
Limit switch	By means of limit switch	Via limit switch and eddy current brake
Motor control unit	ACM 400 S; LED-monitored function sequence	
DC output	AC 24 V + DC 12 V	
Pre-warning time can be selected	Yes	
Soft start / soft stop	No	
Connection options	For emergency stop, courtyard and warning light, photocell, electrical (8.2 kOhm) or optical safety contact strips	
Function of the safety connection	Adjustable	
Automatic closing in t (time)	Adjustable from 2 to 196 seconds	
Dead-man function	Yes	
Only in combination with TorMinal	No	
Direction of movement activation	Defined OPEN/CLOSE can be set	
Partial opening	Adjustable	
Number of radio channels	2	
Number of pulse inputs	3	
Number of safety inputs	6	
Operating mode	S3 40 %	
Protection class	Operator: IP44 / Control unit: IP65	
Temperature range	-20 °C to +50 °C	
Gear teeth dimensions	Module 4 / 20 teeth	



Active safety contact strips must be used on the main and auxiliary closing edges. Sliding gates must not be operated together with the DS 600 or DS 1200 without active safety contact strips! In the case of gates with a weight exceeding 600 kg, operation is only permissible with steel racks.



1) In compliance with the norms and standards listed in the Declaration of Installation, particularly DIN EN 13241.
2) Use of a radial damper is recommended.



Accessories for sliding gate operators



Installation bracket

5823V001

- For sliding gate operators RUNner, RUNner+ and SM 40 T
- For concreting in
- 4× hexagon bolt M8×30 mm
- Dimensions: 308×165×204 mm (L×W×H)



Installation bracket

5823V002

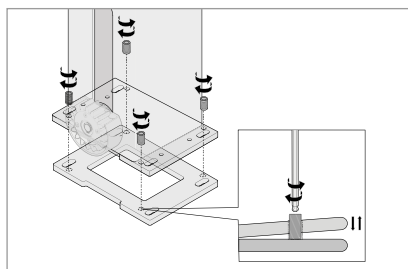
- For sliding gate operators RUNner, RUNner+ and SM 40 T
- For concreting in
- 4× hexagon bolt M8×45 mm
- Screw-on
- Dimensions: 316×165×24 mm (L×W×H)



Installation bracket

2119V001

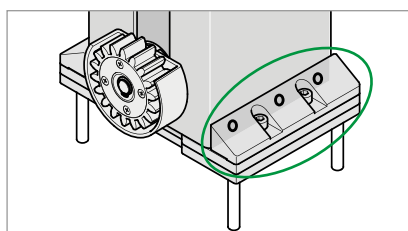
- For sliding gate operators STArter and STArter⁺
- For concreting in
- Screw-on
- Dimensions: 260×180×15 mm (L×W×H)



Levelling plate in set

14038V000

- For sliding gate operator SP 900
- For aligning the post perpendicularly, e.g. in the case of uneven concrete foundations
- Galvanised
- Incl. screws



Clamping claws set

3701V000

- For sliding gate operator SP 900
- For additional fixing of the post
- Material: Bare aluminium¹⁾
- Incl. screws

1) Raw material without surface finish.

Accessories for sliding gate operators

Aluminium C-rail

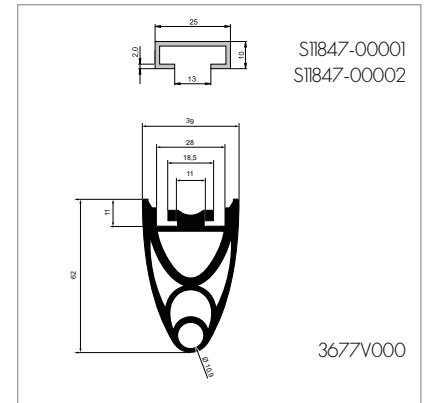
- Fits rubber profile (passive), Type GP62, and safety contact strips

Length: 1 m S 11847-00001

Length: 2 m S 11847-00002

Rubber profile (passive), Type GP62 3677V000

- For protection of the safety edges
- Improved damping characteristics through 3-chamber-system
- Improved appearance: the rubber profile covers the aluminium C-rail.



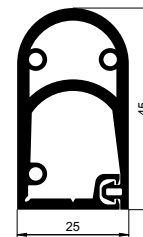
Rubber profile (passive), Type 25.45 ST

NEW

- For protection of the safety edges
- Screw-on
- No aluminium rail is required.

Assembled S 11935-00001

Reel, 25 m S 11938-00001



End cap for rubber profile (passive), Type 25.45 ST

NEW

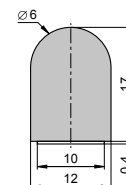
- Incl. 2x mounting clips

1 pc. S 11936-00001

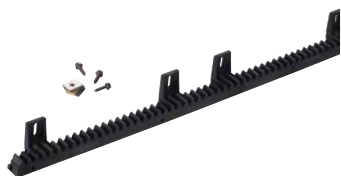
25 pcs. S 11937-00001

Edge protection profile S 10332-00001

- Length: 6 m
- Colour: black
- Self-adhesive on one side



Accessories for sliding gate operators



Plastic rack with steel core

S11114-00001

- Plastic rack (length: 1 m; gear teeth dimensions: module 4)
- Incl. mounting material
- For sliding gates up to 600 kg

Plastic rack with steel core in a set

NEW

S12243-00001

- 4× plastic rack (length: 1 m; gear teeth dimensions: module 4)
- Incl. mounting material
- For sliding gates up to 600 kg



Steel rack (galvanised)

NEW

S12374-00001

- Steel rack (length: 1 m; gear teeth dimensions: module 4)
- Incl. mounting material
- For sliding gates up to 1,200 kg

Steel rack (galvanised) in a set

NEW

S12496-00001

- 4× steel rack (length: 1 m; gear teeth dimensions: module 4)
- Incl. mounting material
- For sliding gates up to 1,200 kg



Control cam for steel rack

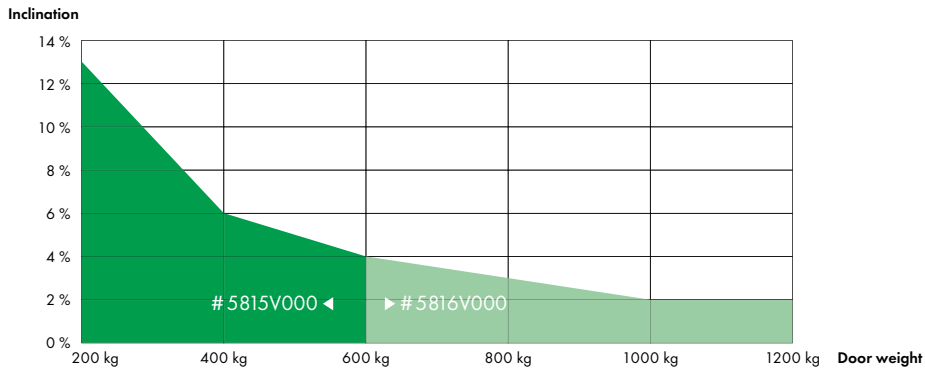
5805

- For DS 600 and DS 1200 sliding gate operators
- In pairs

Accessories for sliding gate operators

Radial damper for inclined gates ¹⁾

- Ideal speed regulation for inclined gates
- One-side damping can be adjusted steplessly
- Counter-direction with freewheel
- Gear teeth dimensions: module 4



up to 600 kg 5815V000

up to 1,200 kg 5816V000

Motor protection switch

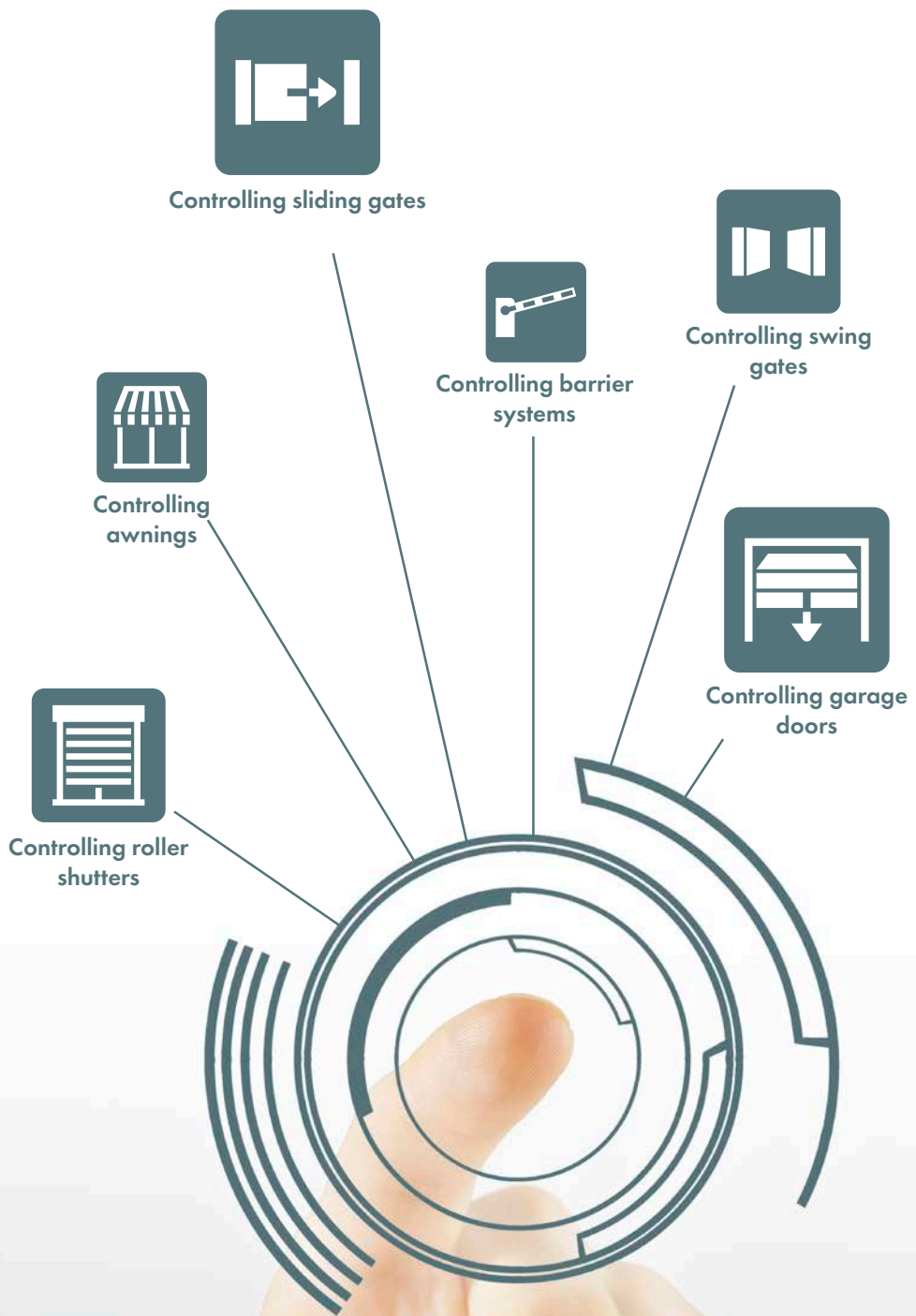
0.6–1.0 A (for DS 600) 5811

1.6–2.5 A (for DS 1200) 5812

2.4–4.0 A (for SM 40 T) 5813



¹⁾ In compliance with the norms and standards listed in the Declaration of Installation, particularly DIN EN 13241.



Radio technology

Operate your applications simply and conveniently by radio remote control!

SOMMER radio technology products give you individual control of your home automation applications within your own four walls, in the garden or the garage. You will be amazed how many devices can be operated by radio technology and how much added convenience it gives you.

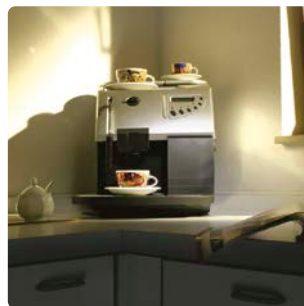
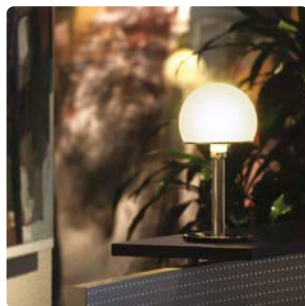
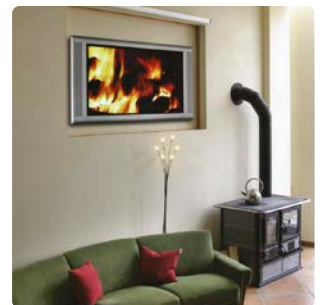
A further advantage: the simple, fast, and inexpensive installation. No difficult and complex routing of cables necessary. This saves you time and money!



Remote control of your gate operators, roller shutters and awnings



Remote control of the wellness and entertainment areas in your home



Remote control of the electric and electronic appliances in your home



Remote control of the applications in the garden and the entire outdoor area



Radio technology

The advantages at a glance

Reliability of the highest level

Gone are the times of opening and closing the garage door, awnings and the like by hand. Our two Somloq Rollingcode and SOMloq2 radio systems make this and many other functions easier than ever before. Both work with safe Rollingcode technology.

- Uses radio frequencies with short transmission periods for quick and fault-free radio commands.
- For optimum protection against code scanning and code grabbing to prevent access by unauthorised parties.

Somloq Rollingcode – for precise control

The Somloq Rollingcode radio system works on the basis of radio frequency FM 868.8 MHz.

- It sends very short radio signals that cannot be interrupted by transmitters which send long signals, such as baby monitors.
- FM stands for frequency modulation and lends our system even more transmission security. The good selectivity ensures that your control commands are reliably differentiated from other radio signals and can be implemented exactly.
- In addition to optimum transmission security, the Somloq Rollingcode provides you with even more protection against access and entrance by unauthorised persons.
- The 66-bit encryption makes 74 trillion codings possible. After every activation, Rollingcode changes the code. This makes code scanning and code grabbing by unauthorised persons pointless, since each code is only valid once.

SOMloq2 – even more security & convenience

We have expanded the advantages of the Somloq Rollingcode even further in our future-proof SOMloq2 radio system even further:

- You utilise the full functionality of Somloq Rollingcode and have even more security and convenience at hand.
- It is bidirectional and therefore reports whether the radio signals have arrived.
- Thanks to 128-bit AES encryption, the SOMloq2 is even more secure.
- **Auto-repeat function** for convenient opening while as you drive up to the premises.
- Query the current status of your door directly from the couch or your deck chair in the garden.
- An innovative **hop function** extends the range, as radio signals are forwarded from SOMloq2 receivers.

You don't have to exchange existing SOMMER operators. Simply retrofit with a SOMloq2 radio receivers – and gain even more advantages.



Transmitters with SOMloq2 are **backward compatible** with the Somloq Rollingcode radio system, making it possible to control existing operators and radio receivers.

Quality and long life guaranteed!

In addition to our own Somloq Rollingcode and SOMloq2 in-house developments, we install only the highest quality components in our radio products. This makes both systems very durable and reliable even if temperatures fluctuate or the product is exposed to impacts and vibrations. Enjoy quality you can feel in every fingertip.

Unique handheld remote control detection

- Each transmitter has its own unique serial number
- The receiver can store a fixed number of different codes, whereby each button of a handheld transmitter has its own individual code
- Due to the unique serial number of the transmitter, the code of an individual handheld transmitter can be deleted from the receiver without affecting other transmitters



Approval

The introduction of the Radio Equipment Directive (RED) facilitated the market introduction to other European countries and reduced the administrative effort.

The mark is:

HomeLink®-compatible

If your vehicle is equipped with a HomeLink® system (from software Version 7), our operators and radio receivers with Somloq Rollingcode (FM 868.8 MHz) are compatible.



For more information, see: www.homelink.com

A comparison of the two radio control systems

	Somloq Rollingcode	SOMloq2
Frequency	FM 868.80 MHz	FM 868.80 MHz FM 868.95 MHz
Encryption	66-bit	128 bit AES
Bidirectional	X	✓
Rollingcode	✓	✓
Hop function	X	✓
Status query of door	X	✓
Auto-repeat function	X	✓
HomeLink®-compatible	✓	•

- Only in combination with HomeLink radio receiver module.

You can find a complete compatibility overview of the radio systems and an overview of the functionality of all transmitters at www.som4.me/tbl.

Transmitter FM 868.95/868.8 MHz (SOMloq2)



4-command handheld transmitter Pearl

- Advantages of SOMloq2: auto-repeat function, hop function
- Range: approx. 50–140 m (depending on the surroundings)
- Battery: 3 V, Type CR2032
- Dimensions: 79 × 26 × 13 mm

black/red	4018V000
black/pink	4018V001
white/pink	4018V003
white/stainless steel	4018V020



4-command handheld transmitter Pearl Vibe

- **Option of querying door and gate positions and reception status**
- **Noticeable feedback of radio commands with vibration**
- further advantages of SOMloq2: auto-repeat function, hop function
- Remote addition and remote replacement possible with transmitter management Codemaster+
- Range: approx. 60–150 m (depending on the surroundings)
- Battery: 3 V, Type CR2032
- Dimensions: 79 × 26 × 13 mm

black/red	4019V000
black/pink	4019V001
white/pink	4019V003
white/stainless steel	4019V021



3-command handheld transmitter Pearl Status

- **Option of querying door and gate position and receiver status without travel motion thanks to special red button**
- **Noticeable feedback of radio commands with vibration**
- Further advantages of SOMloq2: auto-repeat function, hop function
- Remote addition and remote replacement possible with transmitter management Codemaster+
- Range: approx. 60–150 m (depending on the surroundings)
- Battery: 3 V, Type CR2032
- Dimensions: 79 × 26 × 13 mm

white/stainless steel	S10448-00001
black/stainless steel	S10448-00012

Transmitter FM 868.95/868.8 MHz (SOMloq2)

2-command handheld transmitter Pearl Twin

S10019-00001

- **Convenient, large button areas**
- Advantages of SOMloq2: auto-repeat function, hop function
- Range: approx. 50–140 m (depending on the surroundings)
- Battery: 3 V, Type CR2032
- Dimensions: 79 × 26 × 13 mm



2-command handheld transmitter Pearl Twin+ **NEW**

S11925-00001

- **Convenient, large button areas**
- Advantages of SOMloq2: auto-repeat function, hop function
- Remote addition and remote replacement possible with transmitter management Codemaster+
- Range: approx. 50–140 m (depending on the surroundings)
- Battery: 3 V, Type CR2032
- Dimensions: 79 × 26 × 13 mm



Pearl holder

- For all handheld transmitters in the Pearl series
- For mounting in the car or on the wall
- Incl. mounting material

black

4643V000

white

4643V001



Visor Clip

S11842-00001

- For all handheld transmitters in the Pearl series
- Holding clip for fixing the handheld transmitter to the sun visor in a car
- Incl. mounting material



Transmitters with SOMloq2 are **backward compatible** with the radio system Somloq Rollingcode. This makes it possible to control existing operators and radio receivers. You can find information on the SOMloq2 auto-repeat and hop functions on page 108.

Transmitter FM 868.95/868.8 MHz (SOMloq2)



SOMloq2

4-command handheld transmitter Slider+

S10305-00001

- High quality, modern design with stainless-steel trim
- Slider function for protecting against unintentional actuation
- Thanks to the compact design, can also be attached to a key ring
- Advantages of SOMloq2: auto-repeat function, hop function
- Range: approx. 50–140 m (depending on the surroundings)
- Battery: 3 V, Type CR2032
- Dimensions: 55 × 30 × 14 mm (closed)



SOMloq2

4-command handheld transmitter Slider Vibe

S10202-00001

- High quality, modern design with stainless-steel trim
- Slider function for protecting against unintentional actuation
- Thanks to the compact design, can also be attached to a key ring
- **Option of querying door and gate positions and reception status**
- **Noticeable feedback of radio commands with vibration**
- Further advantages of SOMloq2: auto-repeat function, hop function
- Remote addition and remote replacement possible with transmitter management Codemaster+
- Range: approx. 60–150 m (depending on the surroundings)
- Battery: 3 V, Type CR2032
- Dimensions: 55 × 30 × 14 mm (closed)



SOMloq2

12-command handheld transmitter Telecody+

S10212-00001

- **Also ideal as radio code button**
- With illuminated keys
- Memory locations: 10 different access codes and 2 unencrypted buttons, e.g. for light
- Weather-proof; can be used indoors and outdoors
- **Radio receiver confirms received commands, an LED on the transmitter acknowledges receipt**
- Further advantages of SOMloq2: Hop function
- Including aluminium holder and mounting material
- Range: approx. 50 m (depending on the surroundings)
- Battery: 3 V, Type CR123A
- Dimensions: 147 × 48 × 30 mm
- Temperature range: –20 °C to +55 °C

IP64

Transmitter FM 868.95/868.8 MHz (SOMloq2)

200-command handheld transmitter GIGAcem

4038V000

- Ideal for industrial doors
- With illuminated keys
- For activation of 100 doors
(targeted opening and closing → - this adds up to 200 commands)
- Pre-selection of the desired command using keypad
- Favourites function enables direct control of a door
- Weather-proof; can be used indoors and outdoors
- **Radio receiver confirms received commands, an LED on the transmitter acknowledges receipt**
- Further advantages of SOMloq2: Hop function
- Including aluminium holder and mounting material
- Range: approx. 50 m (depending on the surroundings)
- Battery: 3 V, Type CR123A
- Dimensions: 147 × 48 × 30 mm
- Temperature range: -20 °C to +55 °C



IP64

2-command SOMtouch radio wall button (surface-mounted)

- Battery-operated - no additional installation effort is necessary
- **Option of querying gate and door position/receiver status without travel motion thanks to small button**
- **Feedback of radio commands with LED**
- Further advantages of SOMloq2: Hop function
- Remote addition and remote replacement possible with transmitter management Codemaster+
- Range: approx. 50 m (depending on the surroundings)
- Battery: 3 V, Type CR2032
- Dimensions: 80 × 85 × 14 mm
- Area of application: dry, closed rooms



white/white

S10447-00001

anthracite/white

S10447-00002



Transmitters with SOMloq2 are **backward compatible** with the radio system Somloq Rollingcode. This makes it possible to control existing operators and radio receivers. You can find information on the SOMloq2 auto-repeat and hop functions on page 108.

Radio receiver FM 868.95 MHz (SOMloq2)



SOMsocket, SOMplug, SOMcom2, SOMcom4 and SOMup4 are **not compatible** with transmitters with Somloq Rollingcode (FM 868.8 MHz).



< 0.45 W STANDBY



SOMloq2

SOMsocket radio power socket

- Radio receiver in power socket housing which can be used to switch the connected application, for example a lamp, on and off via radio control system
- **Option of status query by means of transmitter (e.g. Pearl Status), e.g. whether the connected device is switched on or off**
- **Ideal as substitute for a rod antenna: increase in range due to hop function. There is no need to programme transmitters on the radio receiver.**
- Integrated antenna
- Memory: 112 radio commands can be programmed
- Power supply: 100–240 V, 50/60 Hz
- Switching output: 1-pole switching; max. 10 A
- Area of application: dry, closed rooms
- Dimensions: 138 × 54 × 40 mm
- Operating mode:
 - Switching mode (Toggle): relay can be switched on and off via radio control system, like a surge relay
 - Defined ON/OFF: command for defined switch-on and command for defined switch-off

Power socket housing D



21106V000

Power socket housing F



21106V030



< 0.45 W STANDBY



SOMloq2

SOMplug 1-channel radio receiver in power socket housing

- Potential-free relay output via 1.5 m cable for connection to the pulse input of the operator
- Simple conversion of external operators and easy changing of the radio frequency
- No installation work on 230 V necessary
- **Optional feedback via transmitter when the sent command has been processed by the receiver**
- Further advantages of SOMloq2: Hop function
- Integrated antenna
- Memory: 112 radio commands can be programmed
- Power supply: 100–240 V, 50/60 Hz
- Outlet socket: Schuko, 16 A, AC 230 V, 50 Hz
- Area of application: dry, closed rooms
- Dimensions: 138 × 54 × 40 mm
- Operating mode:
 - Impulse mode (Jog): relay activated as long as radio signal is present
 - Defined ON/OFF: command for defined switch-on and command for defined switch-off



The button lines are switched, not the power socket contacts.

Power socket housing D



21107V000

Power socket housing CH



21107V010

Power socket housing GB



21107V020

Power socket housing F



21107V030

Radio receiver FM 868.95 MHz (SOMloq2)

2-channel radio receiver SOMcom2

S10696-00001

- Simple conversion of external operators and easy changing of the radio frequency
- Suitable for special applications (not suitable as tubular motor controller)
- **Optional feedback via transmitter when the sent command has been processed by the receiver**
- **Ideal as substitute for a rod antenna: increase in range due to hop function.**
There is no need to programme transmitters on the radio receiver.
- Integrated antenna
- Memory: 40 radio commands can be programmed
- Slot for Memo memory extension (450 radio commands)
- Power supply: AC/DC 12–24 V
- Area of application: dry, closed rooms
- Control output: 2 potential-free relay contacts (normally open contacts, 1 A, DC 30 V)
- Connection: 6-pin screw terminal
- Dimensions: 109×40×32 mm
- Operating mode:
 - Impulse mode (Jog): relay activated as long as radio signal is present
 - Defined ON/OFF: command for defined switch-on and command for defined switch-off
 - Switching mode (Toggle): relay can be switched on and off via radio control system, like a surge relay (can only be set via SOMlink)



4-channel radio receiver SOMcom4

S10794-00001

- Simple conversion of external operators and easy changing of the radio frequency
- Suitable for special applications (not suitable as tubular motor controller)
- **Optional feedback via transmitter when the sent command has been processed by the receiver**
- **Option of channel relay status query via transmitter (e.g. Pearl Status)**
- **Ideal as substitute for a rod antenna: increase in range due to hop function.**
There is no need to programme transmitters on the radio receiver.
- Integrated antenna
- Memory: 40 radio commands can be programmed
- Slot for Memo memory extension (450 radio commands)
- Power supply: AC 230 V or AC/DC 12–24 V ±20 %
- Area of application: indoor and outdoor use
- Control output: 4 potential-free relay contacts (change-over, 8 A, AC 250 V)
- Pulse input: connection option for a potential-free pulse input
- Connection: screw terminals
- Connectible cable: up to 2.5 mm² diameter
- Temperature range: –25 °C to +65 °C
- Dimensions: 125×125×60 mm
- Operating mode:
 - Impulse mode (Jog): relay activated as long as radio signal is present
 - Defined ON/OFF: command for defined switch-on and command for defined switch-off
 - Switching mode (Toggle): relay can be switched on and off via radio control system, like a surge relay
 - Timed mode (Time): relay is triggered with radio signal and deactivated after set time (1–255 s)



Radio receiver FM 868.95 MHz (SOMloq2)



SOMloq2

4-channel radio receiver module SOMup4

S11442-00001

- Simple conversion of operators and control units with radio receiver #7000VXXX to SOMloq2 (twist 200 E/EL, twist 350, twist XL, RUNner, RUNner+, SP 900 and GIGA industrial door control units)
- **Optional feedback via transmitter when the sent command has been processed by the receiver**
- Further advantages of SOMloq2: Hop function
- Integrated antenna
- Memory: 40 radio commands can be programmed
- Slot for Memo memory extension (450 radio commands)
- Power supply: DC 5 V or DC 8–18 V
- Connection: 20-pin contact strip
- Temperature range: –25 °C to +65 °C
- Dimensions: 60 × 57 × 13 mm
- Operating mode:
 - Impulse mode (Jog): relay activated as long as radio signal is present
 - Defined ON/OFF: command for defined switch-on and command for defined switch-off

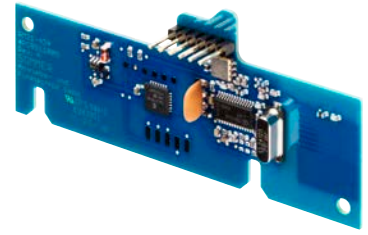
HomeLink radio receiver

HomeLink radio receiver module

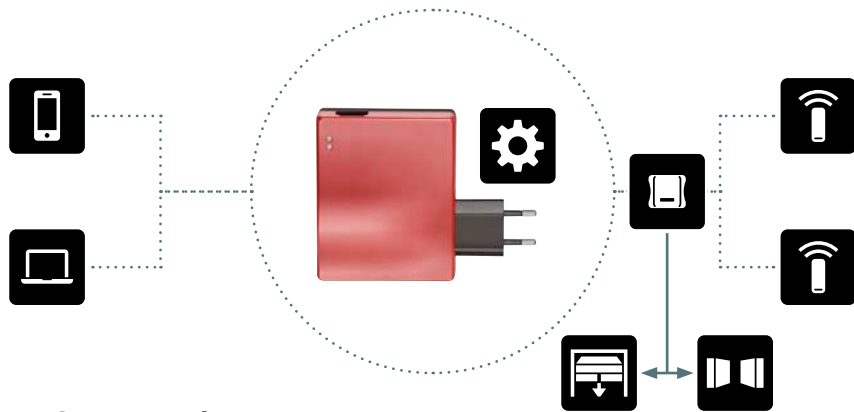
NEW

S11004-00001

- The radio receiver module allows you to control operators and control units with the radio system SOMloq2 via the HomeLink transmitter integrated in a vehicle.
- Plug & Play installation via serial interface
- Simple programming directly at the operator
- Memory: 12 radio commands can be programmed
- For HomeLink version EURO 2 from year of manufacture approx. 2005
- For SOMMER base⁺, pro⁺, tiga, tiga⁺, A 550 L and A 800 XL from date of manufacture 05.2017 and software version 03.03, RDC Vision⁺ and barriers with SOMloq2 radio system



Transmitter management



SOMMER Suite

With the SOMMER Suite for Windows, you can update the Codemaster⁺ firmware or create backup copies of your data.

You can find the latest version of the SOMMER Suite in the download area of www.sommer.eu.

Codemaster⁺

It has never been easier to manage underground garages etc. The transmitters are conveniently organised and managed from the office, via the browser. No special software installation required; everything you need is integrated into the device itself.

Compatibility

- Transmitter management for operators and radio receivers with radio system SOMloq2 and a Memo slot. To find out whether your operator or radio receiver is compatible with the Codemaster⁺, see www.som4.me/sv.

Technology

- Integrated WiFi module
- Integrated web server
- Universal for smartphone, tablet or PC
- No saving of data on external servers
- No on-site Internet connection required! A direct WiFi connection is established between smartphone, tablet or PC and the Codemaster⁺.

Advantages

- Transmitters are managed and organised in the office or on-site where required.
- Additional handheld transmitters for managed buildings can only be obtained via the firm operating the transmitter management.
- Easy handling:
 - A new object is created via the web interface.
 - The Memo of the operator or radio receiver is plugged into the Codemaster⁺.
 - Transmitters are added
 - Data are transferred to the Memo.
 - The Memo is unplugged and connected to the operator.
- Complete control and protection against unauthorised access, as non-approved transmitters cannot be programmed. When the Memo is created, the Codemaster⁺ reserves all free memory positions.
- If it becomes necessary to replace the Memo, for example following a lightning strike, the data saved in the Codemaster⁺ can simply be transferred to a new Memo. There is no need to reprogramme the handheld transmitters.
- A convenient function that allows you to add and replace transmitters remotely without having to replace the Memo or call out a technician.¹⁾

¹⁾ Only possible with the following transmitters: Pearl Vibe, Pearl Status, Pearl Twin⁺, Slider Vibe and SOMtouch.

Transmitter management

Codemaster⁺

S11489-00001

- Transmitter management; FM 868.95 MHz; WiFi
- No on-site Internet connection required! A direct WiFi connection is established between smartphone, tablet or PC and the Codemaster⁺.
- Option allowing organisation and management of transmitters from various objects via smartphone, tablet or PC
- For operators and radio receivers with radio system SOMloq2 and a Memo slot
- To find out whether your operator or radio receiver is compatible with the Codemaster⁺, see www.som4.me/sv.



3-command handheld transmitter Pearl Service **NEW**

S11011

- The service transmitter gives technicians access to door and gate systems for maintenance purposes.
- Example: A Pearl Service is programmed on a door or gate system by technician A or via the Codemaster⁺. This service transmitter remains with technician A or the administrator of the Codemaster⁺. Technician B also has a Pearl Service which allows him access to the door or gate system without the need to reprogramme the handheld transmitter.
- The Pearl Service is created individually for each customer.
- Battery: 3 V, Type CR2032
- Dimensions: 79 × 26 × 13 mm
- **For specialist retailers only!**



SOMloq2



Transmitter FM 868.8 MHz (Somloq Rollingcode)



4-command handheld transmitter Classic 4020V000

- Range: approx. 50 m (depending on the surroundings)
- Slide-open housing in stainless steel design
- Button protector prevents accidental operation
- Battery: 3 V, Type CR2032
- Dimensions: 87 × 24 × 16 mm (closed)



Holder 4640V000

- For 4-command handheld transmitter Classic (# 4020V000)
- For mounting in the car or on the wall
- Incl. mounting material



Set with 4-command handheld transmitter Classic and holder 4650V000

- Comprising 4-command handheld transmitter Classic (# 4020V000) and holder (# 4640V000), incl. mounting material



2-command handheld transmitter Mini **DISCONTINUED ITEM** 4026V000

- Range: approx. 50 m (depending on the surroundings)
- Battery: 3 V, Type CR2032
- Dimensions: 88 × 24 × 13 mm



Holder **DISCONTINUED ITEM** 4642V000

- For 2-command handheld transmitter Ruby (# 4035V002)
- For mounting in the car or on the wall
- Incl. mounting material



5-command handheld transmitter Industry 4011V000

- Range: approx. 50 m (depending on the surroundings)
- Battery: 3 V, Type CR2032
- Dimensions: 107 × 58 × 25 mm

Transmitter FM 868.8 MHz (Somloq Rollingcode)

Aluminium wall holder

4641V000

- For 30-command handheld transmitter Flexy (# 4080V000, # 4080V001)
- For mounting on the wall; including mounting material



Wireless wall button, 2-command, with flush-mounted box 4752V000

- Via radio code transmission, an action can be triggered from a location where there is no power connection; no additional installation is necessary
- Range: approx. 25 m (depending on the surroundings)
- Dimensions: flush-mounted box, depth 63 mm, Ø 68 mm
- Push-button design: open wire connections, universally connectible
- Battery: 3 V, Type CR2450



Wireless wall button, 2-command, with flush-mounted box and button 4753V000

4753V000

- Like # 4752V000
- Incl. button Jung CD 500 (white)

3-command radio wall button (surface-mounted)

- Via radio code transmission, an action can be triggered from a location where there is no power connection; no additional installation is necessary
- Range: approx. 25 m (depending on the surroundings)
- Area of application: dry, closed rooms
- Dimensions: 80 × 85 × 15 mm
- Battery: 3 V, Type CR2032



white

4762V000

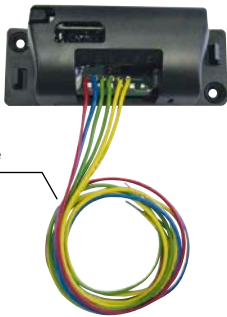
anthracite

4762V001

Radio receiver FM 868.8 MHz (Somloq Rollingcode)

2-channel radio receiver module in housing

- Suitable for other makes and special applications
- Can be used universally with any control units
- Integrated antenna; optional external antenna (# 7004) can be connected
- Power supply: AC/DC 12–24 V
- Control output: 2 potential-free relay contacts (normally open contacts, 1 A, DC 24 V)
- Dimensions: 109 × 40 × 32 mm



with pluggable
memory module



with 112 radio commands

4796V000

- Memory: 112 radio commands can be programmed
- Connection: 6-pin screw terminal
- Operating mode: Impulse mode (Jog): relay activated as long as radio signal is present

with 112 radio commands and cable

4796V001

- Memory: 112 radio commands can be programmed
- Pre-assembled cable (length: approx. 400 mm)
- Operating mode: Impulse mode (Jog): relay activated as long as radio signal is present

with 448 radio commands

4796V002

- Memory: 448 radio commands can be programmed; pluggable module
- Connection: 6-pin screw terminal
- Operating mode:
 - Impulse mode (Jog): relay activated as long as radio signal is present
 - Switching mode (Toggle): relay can be switched on and off via radio control system, like a surge relay

Radio receiver FM 868.8 MHz (Somloq Rollingcode)

4-channel radio receiver in housing

7001V000

- Suitable for products from other manufacturers and other special applications (not suitable as tubular motor controller)
- A specific selected operating mode can be programmed in the receiver for every button of the handheld transmitter
- Integrated antenna; optional external antenna (#7004) can be connected
- Memory: 448 radio commands can be programmed
- Power supply: AC 230 V $\pm 10\%$ or AC/DC 24 V
- Control output: 4 potential-free relay contacts (change-over, 8 A, AC 230 V)
- Pulse input: connection option for a potential-free pulse input
- Connection: via screw terminal
- Connectible cable: up to 2.5 mm² diameter
- Temperature range: -20 °C to +70 °C
- Dimensions: 130 × 130 × 60 mm
- Operating mode:
 - Impulse mode (Jog): relay activated as long as radio signal is present
 - Switching mode (Toggle): relay can be switched on and off via radio control system, like a surge relay
 - Defined ON/OFF: command for defined switch-on and command for defined switch-off
 - Timed mode (Time): relay is triggered with radio signal and deactivated after set time (1–255 s)



2-channel radio receiver in housing

7002V000

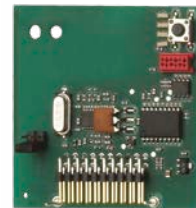
- Like #7001V000, but only 112 memory positions and 2 potential-free relay contacts



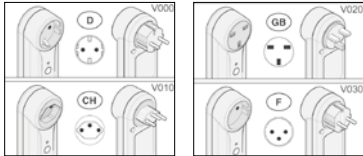
4-channel radio receiver, pluggable

7000V000

- Suitable for SOMMER swing and sliding gate operators
- Memory: 112 radio commands can be programmed
- Integrated antenna; optional external antenna (#7004) can be connected
- Power supply: DC 8–18 V
- Connection: 20-pin contact strip
- Dimensions: 54 × 54 × 16 mm
- Operating mode: Impulse mode (Jog): relay activated as long as radio signal is present



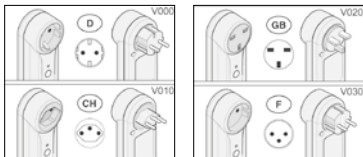
Radio receiver FM 868.8 MHz (Somloq Rollingcode)



Radio power socket

7017V000

- Radio receiver in power socket housing which can be used to switch the connected application, for example a lamp, on and off via radio control system
- Memory: 112 radio commands can be programmed
- Integrated antenna
- Power supply: AC 230 V, 50 Hz
- Switching output: 1-pole switching; max. 3,500 W, max. 16(3) A, ohmic load
- Area of application: dry, closed rooms
- Dimensions: 138 × 54 × 40 mm
- Operating mode: Switching mode (Toggle): relay can be switched on/off via radio control system like a surge relay



1-Channel radio receiver in power socket housing

7021V000

- Pulse output via 1.5 m long cable; for connecting to the pulse input of the operator
- Simple conversion of external operators and easy changing of the radio frequency
- No installation work on 230 V necessary
- Integrated antenna
- Memory: 112 radio commands can be programmed
- Power supply: AC 230 V, 50 Hz
- Outlet socket: Schuko, 16 A, AC 230 V, 50 Hz
- Area of application: dry, closed rooms
- Dimensions: 138 × 54 × 40 mm
- Operating mode: Impulse mode (Jog): relay activated as long as radio signal is present



The button lines are switched, not the power socket contacts.

Rod antenna

- **Only for operators and receivers with Somloq Rollingcode (FM 868.8 MHz)**
- External antenna for garage door, swing and sliding gate operators, barriers and various radio receivers
- FM 868.8 MHz
- With 50 Ohm coaxial cable



with 2 m cable

7004V003

with 6 m cable

7004V001

with 10 m cable

7004V000

with 16 m cable

7004V002

Radio receiver FM 868.8 MHz (Somloq Rollingcode)

FunkManager S 5980V000

- Programmable via radio control system for controlling roller shutters, blinds and awnings
- For flush mounting (deep standard socket)
- Not compatible with Telecody, ENTRAsys and ENTRApin
- Coding: Somloq Rollingcode
- Rated voltage: AC 230 V ±10 %
- Rated frequency: 50/60 Hz
- Relay output: 4 A, 50/60 Hz
- Dimensions: 48 × 51 × 26.5 mm
- Operating mode: targeted OPEN and CLOSE



FunkManager S in set 5990V000

- Like # 5980V000
- Also including 4-command handheld transmitter Classic (# 4020V000)



Consumables (batteries)

Battery CR2032 46055V001

- Lithium button cell
- Suitable for the following former radio technology products: Slider # 4031V000



Battery CR2450 46213

- Lithium button cell
- Suitable for the following former radio technology products: Funkcody # 7050V000 (only until date of manufacture 2/2003), # 7051V000



Battery CR2/3AH 46059

- Suitable for the following former radio technology products: Funkcody # 7050V000 (from date of manufacture 01/2004)



Battery CR123A 204V000

- Suitable for the following former radio technology products: Telecody # 4070V000, Telecody # 4071V000



Transmitter FM 40.685 MHz



5-command handheld transmitter (standard design)

4004V001

- Self-learning
- LED function control
- Range: approx. 50 m (depending on the surroundings)
- Battery: 9 V, Type 6F22
- Dimensions: 107 × 58 × 25 mm



2-command handheld transmitter (miniature design)

4050V000

- Self-learning
- LED function control
- Range: approx. 25 m (depending on the surroundings)
- Battery: 12 V, Type GP23A
- Dimensions: 62 × 47 × 18 mm

Transmitter AM 40.685 MHz (10-bit)



We offer compatible replacements for the handheld transmitters pictured above, which were sold before 1994.



1-command handheld transmitter

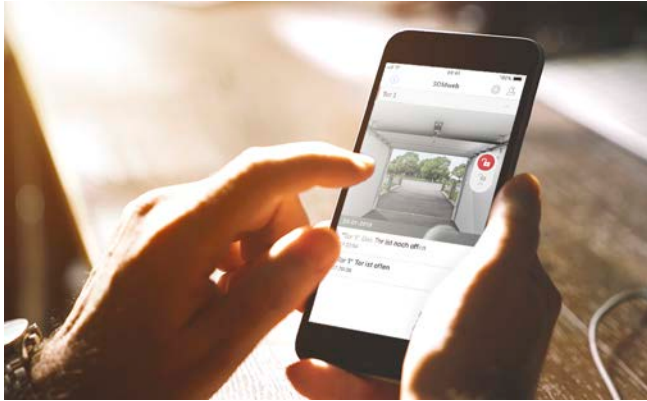
7441

4-command handheld transmitter

7444



Smart Home



SOMweb

The Smart Home solution allows you to control operators extremely simply via app or browser from a smartphone, tablet or PC. The data is safe, as it is not saved on external servers, but literally remains at home.

Compatibility

- Smart Home solution for garage door operators with the SOMloq2 radio control system from date of manufacture 12/2018. To find out whether your operator is compatible with SOMweb, see www.som4.me/sh. Further operator types and radio receivers to follow.

Functions

- Open or close the door
- Check the door status
- Up to 10 operators can be controlled with a SOMweb.
- Optional video function via bookable video plug-in.
- Including user management and access control for 10 users
- Optional expansion to 50 users or an unlimited number of users via bookable user plug-ins.
- Real-time notification of door movements by app or e-mail.

Technology

- **No saving or processing of data on external servers.**
- Communication between SOMweb and radio receiver via SOMloq2 radio control system with 128-bit AES encryption. No wiring to the operator is necessary.
- The SOMweb requires no additional sensors for detection of the door status.
- Integrated WiFi module



- The **HomeKit** technology allows the use of the Apple Home App to create set-ups combining various devices. For example, to switch the hall light on automatically when you open the garage in the evening.
- Creation of own events via the **IFTTT** platform. For example, automatic opening and closing of the garage at a defined distance from the door or at a specified time.
- Supports **voice control** via **Siri** and **Google Assistant**. Voice control via **Amazon Alexa** is possible using IFTTT.
- USB port (e.g. for connection of a LAN adapter)
- Universal for smartphone, tablet or PC
- Apps for operation are available for Android and iOS.
- Operation is possible via all common browsers. This makes the system independent of the operating system used.
- Can be controlled via the home network or via the Internet.



SOMweb app

Free apps for the Android operating system and iOS are available for download from Google Play and in the App Store.



SOMweb

S11342-00001

- Smart Home solution; FM 868.95 MHz; WiFi
- Operators can be controlled via smartphone, tablet or PC
- For garage door operators with SOMloq2 radio system
- To find out whether your operator is compatible with SOMweb, see www.som4.me/sh.

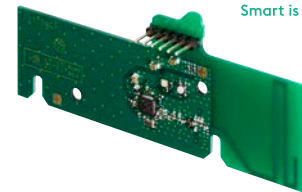


The operator only functions with a connected photocell.

Delta Dore X3D module

S11561-00001

- Module for integration of the SOMMER garage door operators base⁺, pro⁺, tiga, tiga⁺, A 550 L and A 800 XL into the Smart Home system from Delta Dore
- Allows you to control and query the position of the operators via the Tydom app from Delta Dore
- To find out whether your operator is compatible with the Delta Dore X3D module, see www.som4.me/sh.



The operator only functions with a connected photocell.

KNX A3-B2 gate and door operator control module

46072V000

The gate and door operator control module in the installation housing has three outputs for gate/door control and two binary inputs.

Inputs: 2× binary inputs (for potential-free contacts), maximum line length 5 m

Outputs: 3× semi-conductor output, max. AC/DC 60 V, 300 mA

Dimensions: approx. 38 × 47 × 24 mm (W × H × D)



IP20

Smart Home



ismartgate PRO

NEW

- Smart Home solution for controlling 3 operators
- Supports up to 3 radio-controlled or wired sensors for querying the gate or door status.
- Operators can be controlled via smartphone, tablet or PC
- Can be programmed to play an individual melody during opening and closing.
- HomeKit technology allows the use of the Apple Home App.
- Supports voice control via Siri and Google Assistant. Voice control via Amazon Alexa is possible using IFTTT.
- User management and access control
- Real-time notification of door or gate movements by app or e-mail.
- Optional video function via bookable video plug-in.
- Integrated WiFi module
- Wired connection between operator and ismartgate PRO.



Garage door set

S12271-00001

- ismartgate PRO incl. radio tilt sensor (IP65), plug-in power supply unit, batteries and mounting material



Yard gate set

S12271-00002

- ismartgate PRO incl. radio magnetic sensor (IP65), plug-in power supply unit, batteries and mounting material



IP65

Radio tilt sensor

NEW

S12272-00001

- For ismartgate PRO and ismartgate LITE
- Transmits the status of the garage door to the ismartgate
- Integrated temperature sensor
- Incl. batteries

ismartgate LITE

NEW

- Smart Home solution for controlling one operator
- Supports a radio sensor for querying the gate or door status.
- Operators can be controlled via smartphone, tablet or PC
- HomeKit technology allows the use of the Apple Home App.
- Supports voice control via Siri and Google Assistant. Voice control via Amazon Alexa is possible using IFTTT.
- User management and access control
- Real-time notification of door or gate movements by app or e-mail.
- Optional video function via bookable video plug-in.
- Integrated WiFi module
- Wired connection between operator and ismartgate LITE.



Garage door set

S 12378-00001

- ismartgate LITE incl. radio tilt sensor (IP65), plug-in power supply unit, batteries and mounting material



Yard gate set

S 12378-00002

- ismartgate LITE incl. radio magnetic sensor (IP65), plug-in power supply unit, batteries and mounting material



Radio magnetic sensor

NEW

S 12272-00002

- For ismartgate PRO and ismartgate LITE
- Transmits the status of the yard gate to the ismartgate
- Integrated temperature sensor
- Incl. batteries



IP65

Smart Home



Indoor IP camera

NEW

S12655-00001

The indoor IP camera is ideal for use in a garage. Keep an eye on your garage, wherever you are. Via a Smart Home system, for example, you can open the garage door for the postman and close it again afterwards. Integrated WiFi allows wireless connection to your home network.

- HD resolution (720p)
- Night vision up to 8 metres
- 116° wide-angle
- Two-way audio: listen and speak
- WiFi for wireless connection to the home network
- Simple installation
- **Incl. 1 year video plug-in code**
- Compatible with Smart Home solution SOMweb, ismartgate PRO and ismartgate LITE

Scope of delivery: Indoor IP camera, USB cable (2 m), USB power supply unit, network cable, video plug-in code for SOMweb and ismartgate (1 year), brief instructions, support CD, installation and mounting material

Outdoor IP camera

NEW

S12656-00001

The watertight outdoor IP camera is ideal for outdoor applications. For example, you can mount the outdoor camera on the wall of a building and align it to monitor your yard gates. This allows you to see what is happening outside your house, at the access to your premises, at any time and from any location. This camera is impervious to rain or moisture. Integrated WiFi allows wireless connection to your home network.

- HD resolution (720p)
- Night vision up to 20 metres
- Watertight (IP66)
- 118° wide-angle
- WiFi for wireless connection to the home network
- Microphone port for optional microphone
- Compatible with ONVIF NVR/NAS
- Simple installation
- **Incl. 1 year video plug-in code**
- Compatible with Smart Home solution SOMweb, ismartgate PRO and ismartgate LITE

Scope of delivery: Outdoor IP camera, removable WiFi antenna, USB power supply unit, network cable, video plug-in code for SOMweb and ismartgate (1 year), brief instructions, support CD, installation and mounting material

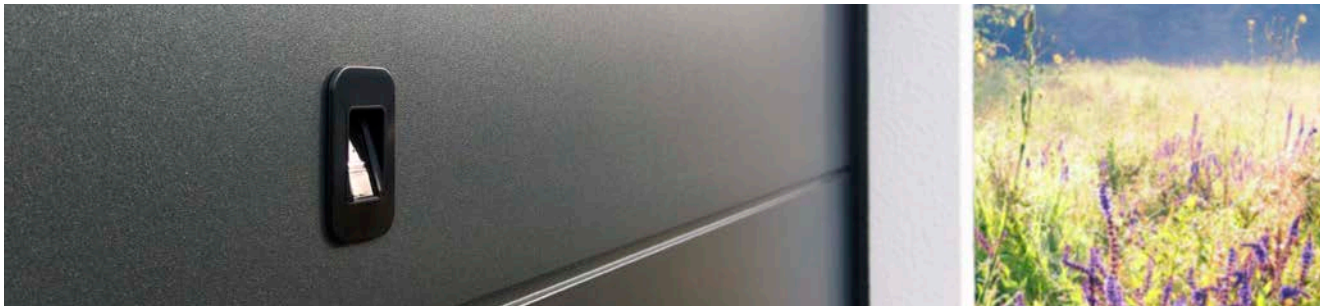


IP66



Accessories

Access systems



ENTRAsys⁺

Our ENTRAsys⁺ finger scanner opens garage doors, yard gates and house doors based on biometric identification at the touch of a finger. This SOMMER product is a reliable access control system. It allows doors and gates to be opened without a key or access card. A fingerprint is all that authorised users need to gain access.

Opening via fingerprint

You can open doors and gates easily with a fingerprint thanks to the biometric detection system.

Quick detection

The modern stripe sensor ensures a high and fast rate of fingerprint recognition.

High memory capacity

50–80 prints can be stored, depending on the complexity of the fingerprints. Up to 9 prints can be assigned administrator rights. These administrators can then share or withdraw access rights.

Excellent protection against manipulation

Live finger recognition prevents manipulation using duplicate fingerprints. Only the print of a 'live' finger identified and stored in the system can be used to gain access.

Safety thanks to encrypted radio control system

This access system offers maximum protection against hackers thanks to 128-bit AES encryption with Rollingcode. Backward compatibility of the transmitters to the Somloq Rollingcode radio control system is always available. Unlike wired systems, no short-circuiting or bridging is possible.

Adjustable functions

The integrated lighting and heatable scanning area offer added convenience. Time-delayed transmission can also be set. In the event of repeated unauthorised attempts to gain access, the Access Control function allows you to send a radio command to a further receiver which is connected to an alarm system, thus offering added security.



For more information, see www.entraseries.com.

Access systems

ENTRASys+ finger scanner for house doors **NEW** S11191-00001

- Encrypted and secure-transmission wireless connection between the finger scanner in the door and radio receiver in the door profile
 - Unlike wired systems, no short-circuiting or bridging possible
 - System data is retained and the door remains securely locked in the event of a power failure.
 - Flexible usage options in addition to the door, e.g. exterior lighting, alarm system and gate operator can be controlled
- | | |
|----------------------|---|
| • Memory locations: | 50–80 fingerprints |
| • Administrators: | 9 fingerprints |
| • Radio commands: | 4 |
| • Radio frequency: | FM 868.95 MHz (SOMloq2)
FM 868.8 MHz (Somloq Rollingcode) |
| • Range: | Approx. 25 m (depending on the surroundings) |
| • Dimensions: | Finger scanner: 87 × 47 × 26 mm
Radio receiver: 120 × 24 × 37 mm |
| • Power supply: | AC 12 V, DC 12–24 V |
| • Temperature range: | –25 °C to +65 °C |

Scope of delivery: ENTRASys+ core module with scanner unit, faceplate in brushed stainless steel, radio receiver for door profiles



Connection cable for house doors **NEW** S11594-00001

- For ENTRASys+ and ENTRAcod+
- For lock type GU-SECURY



ENTRAsys⁺ finger scanner for sectional doors

NEW

- For sectional doors with garage door operator SOMMER base⁺, pro⁺, A 550 L and A 800 XL
 - Cables are virtually invisible due to the travelling motor carriage
 - Power is supplied via the motor carriage. No spiral cable is necessary.
 - For sectional doors with four sections (panels), installation in the uppermost section
 - Suitable for door panels from a thickness of 40 mm
 - Unlike wired systems, no short-circuiting or bridging possible
 - Special door fitting can also be used as a drill template
 - Easy installation with the optional tool set # S11675-00001
- Memory locations: 50–80 fingerprints
 - Administrators: 9 fingerprints
 - Radio commands: 4
 - Radio frequency: FM 868.95 MHz (SOMloq2)
FM 868.8 MHz (Somloq Rollingcode)
 - Range: Approx. 25 m (depending on the surroundings)
 - Dimensions: Finger scanner: 87 × 47 × 26 mm
 - Power supply: AC 12 V, DC 12–24 V
 - Temperature range: –25 °C to +65 °C



Set with stainless steel faceplate

S11614-00001

Scope of delivery: ENTRAsys⁺ core module with scanner unit, faceplate in brushed stainless steel, pre-assembled connecting cable, door bracket, cutting template



Set with black stainless steel faceplate

S11614-00004

Scope of delivery: ENTRAsys⁺ core module with scanner unit, faceplate in black brushed stainless steel, pre-assembled connecting cable, door bracket, cutting template



Tool set

NEW

S11675-00001

- For installation of the core module ENTRAsys⁺ and ENTRAcod⁺ in the door panel
- Incl. casing drill, clamping mandrel, 2× small cutting disc, cable stripping knife, screwdriver, sheet metal drill Ø9.6 mm, sheet metal drill Ø4 mm and 2× drills Ø2 mm

ENTRASys⁺ finger scanner for universal application

NEW

S 11189-00001

- Encrypted and secure transmission wireless connection between finger scanner and radio receiver
- Unlike wired systems, no short-circuiting or bridging possible
- Flexible usage options, e.g. door operator, house door, lighting and alarm system can be controlled
- Ideal for use with electric openers, motor and automatic locks
- Memory locations: 50–80 fingerprints
- Administrators: 9 fingerprints
- Radio commands: 4
- Radio frequency: FM 868.95 MHz (SOMloq2)
FM 868.8 MHz (Somloq Rollingcode)
- Range: Approx. 25 m (depending on the surroundings)
- Dimensions: Finger scanner: 87 × 47 × 26 mm
- Power supply: AC 12 V, DC 12–24 V
- Temperature range: –25 °C to +65 °C

Scope of delivery: ENTRASys⁺ core module with scanner unit, faceplate in brushed stainless steel

SOMloq2



IP65

Universal power supply

10360

- 12 V, 1000 mA
- Overload, short-circuit and thermal protection
- Made in Germany



IP67

ENTRASys⁺ finger scanner, flush-mounted

NEW

S 11186-00001

- With its low installation height of 10 mm, it has an understated design that blends into the façade.
- Clear lines, a white housing and high-quality stainless steel trim for a timeless design
- Unlike wired systems, no short-circuiting or bridging possible
- Ideal for retrofitting thanks to radio technology
- For flush-mounted boxes in accordance with DIN 49073-1
- Flexible usage options, e.g. door operator, house door, lighting and alarm system can be controlled
- Memory locations: 50–80 fingerprints
- Administrators: 9 fingerprints
- Radio commands: 4
- Radio frequency: FM 868.95 MHz (SOMloq2)
FM 868.8 MHz (Somloq Rollingcode)
- Range: Approx. 25 m (depending on the surroundings)
- Dimensions: 94 × 94 × 10 mm
- Power supply: AC 12 V, DC 12–24 V
- Temperature range: –25 °C to +65 °C

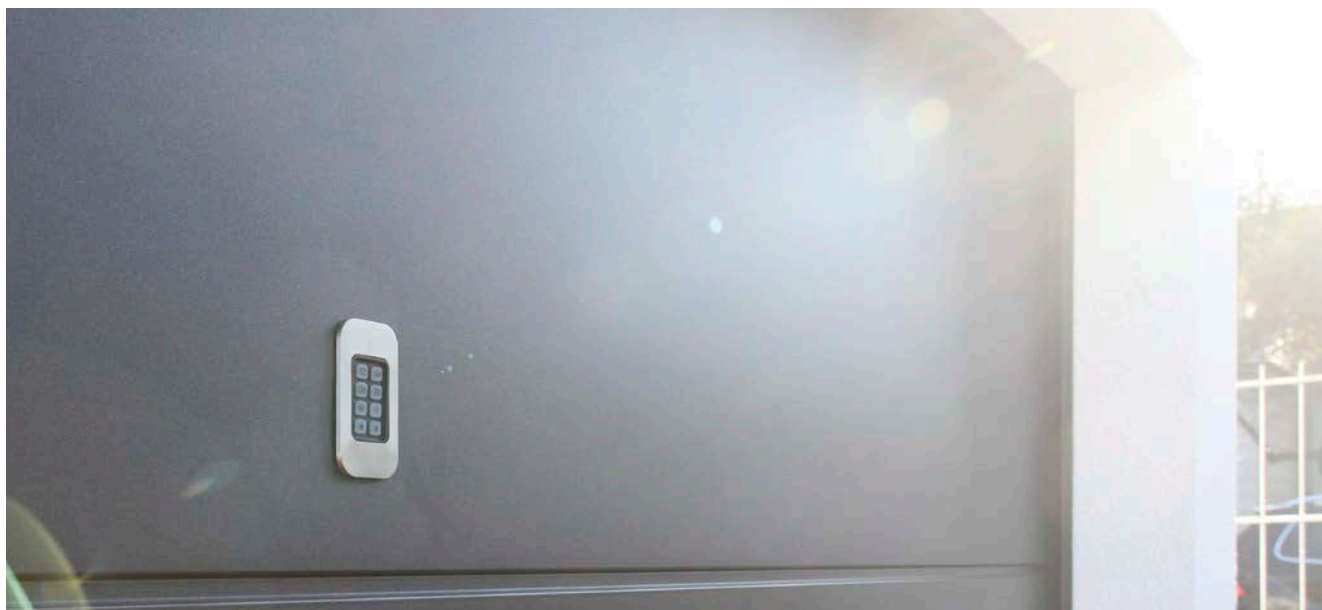
Scope of delivery: ENTRASys⁺ core module with scanner unit in flush-mounting housing, faceplate in brushed stainless steel

SOMloq2



IP65

Access systems



ENTRAcode⁺

ENTRAcode⁺ – the access control system with individually programmable numeric code. Doors can be opened without keys or access cards. The illuminated keypad does not leave you in the dark when you're entering your individual numeric code. The ENTRACode⁺ is available in three versions tailored to your installation situation. The core module and the flush-mounted version are supplied with power via a mains connection. The surface-mounted version is battery-operated.

No key or access card necessary

ENTRAcode⁺ works with a numeric code of at least 4 and no more than 8 digits. You can set the code yourself.

LED status displays

Integrated LEDs give you precise status messages using defined signals. For example, you are informed about low batteries or malfunctions in a timely manner.

Safety thanks to encrypted radio control system

This access system offers maximum protection against hackers thanks to 128-bit AES encryption with Rollingcode. Backward compatibility of the transmitters to the Somloq Rollingcode radio control system is always available. Unlike wired systems, no short-circuiting or bridging is possible.

Adjustable functions

The active time function allows you to send a radio command again by pressing any key, for example in order to stop a garage door. Time-delayed transmission can also be set.



For more information, see www.entraseries.com.

ENTRAcode⁺ code keypad for house doors **NEW** S11192-00001

- Encrypted and secure-transmission wireless connection between the code keypad in the door and radio receiver in the door profile
- Unlike wired systems, no short-circuiting or bridging possible
- System data is retained and the door remains securely locked in the event of a power failure.
- Flexible usage options in addition to the door, e.g. exterior lighting, alarm system and gate operator can be controlled
- Radio commands: 1–5
- Radio frequency: FM 868.95 MHz (SOMloq2)
FM 868.8 MHz (Somloq Rollingcode)
- Range: Approx. 25 m (depending on the surroundings)
- Dimensions: Code keypad: 87 × 47 × 26 mm
Radio receiver: 120 × 24 × 37 mm
- Power supply: AC 12 V, DC 12–24 V
- Temperature range: –25 °C to +65 °C

Scope of delivery: ENTRAcode⁺ core module with code keypad, faceplate in brushed stainless steel, radio receiver for door profiles



Connection cable for house doors **NEW** S11594-00001

- For ENTRAsys⁺ and ENTRAcode⁺
- For lock type GU-SECURY



Access systems

ENTRAcode⁺ code keypad for sectional doors

NEW

- For sectional doors with garage door operator SOMMER base⁺, pro⁺, A 550 L and A 800 XL
- Cables are virtually invisible due to the travelling motor carriage
- Power is supplied via the motor carriage. No spiral cable is necessary.
- For sectional doors with four sections (panels), installation in the uppermost section
- Suitable for door panels from a thickness of 40 mm
- Unlike wired systems, no short-circuiting or bridging possible
- Special door fitting can also be used as a drill template
- Easy installation with the optional tool set # S11675-00001
- Radio commands: 1–5
- Radio frequency: FM 868.95 MHz (SOMloq2)
FM 868.8 MHz (Somloq Rollingcode)
- Range: Approx. 25 m (depending on the surroundings)
- Dimensions: Code keypad: 87 × 47 × 26 mm
- Power supply: AC 12 V, DC 12–24 V
- Temperature range: –25 °C to +65 °C



SOMloq2



IP65

Set with stainless steel faceplate

S 11615-00001

Scope of delivery: ENTRAcode⁺ core module with code keypad, faceplate in brushed stainless steel, pre-assembled connecting cable, door bracket, cutting template



SOMloq2



IP65

Set with black stainless steel faceplate

S 11615-00004

Scope of delivery: ENTRAcode⁺ core module with code keypad, faceplate in black brushed stainless steel, pre-assembled connecting cable, door bracket, cutting template



Tool set

NEW

S 11675-00001

- For installation of the core module ENTRASys⁺ and ENTRAcode⁺ in the door panel
- Incl. casing drill, clamping mandrel, 2× small cutting disc, cable stripping knife, screwdriver, sheet metal drill Ø9.6 mm, sheet metal drill Ø4 mm and 2× drills Ø2 mm

ENTRAcode⁺ code keypad for universal application

NEW

S 11190-00001

- Encrypted and secure-transmission wireless connection between code keypad and radio receiver
- Unlike wired systems, no short-circuiting or bridging possible
- Flexible usage options, e.g. door operator, house door, lighting and alarm system can be controlled
- Ideal for use with electric openers, motor and automatic locks
- Radio commands: 1–5
- Radio frequency: FM 868.95 MHz (SOMloq2)
FM 868.8 MHz (Somloq Rollingcode)
- Range: Approx. 25 m (depending on the surroundings)
- Dimensions: Code keypad: 87 × 47 × 26 mm
- Power supply: AC 12 V, DC 12–24 V
- Temperature range: –25 °C to +65 °C

Scope of delivery: ENTRAcode⁺ core module with code keypad, faceplate in brushed stainless steel

SOMloq2



IP65

Universal power supply

10360

- 12 V, 1000 mA
- Overload, short-circuit and thermal protection
- Made in Germany



IP67

ENTRAcode⁺ code keypad, flush-mounted

NEW

S 11187-00001

- With its low installation height of 10 mm, it has an understated design that blends into the façade.
- Clear lines, a white housing and high-quality stainless steel trim for a timeless design
- Unlike wired systems, no short-circuiting or bridging possible
- Ideal for retrofitting thanks to radio technology
- For flush-mounted boxes in accordance with DIN 49073-1
- Flexible usage options, e.g. door operator, house door, lighting and alarm system can be controlled
- Radio commands: 1–5
- Radio frequency: FM 868.95 MHz (SOMloq2)
FM 868.8 MHz (Somloq Rollingcode)
- Range: Approx. 25 m (depending on the surroundings)
- Dimensions: 94 × 94 × 10 mm
- Power supply: AC 12 V, DC 12–24 V
- Temperature range: –25 °C to +65 °C

Scope of delivery: ENTRAcode⁺ core module with code keypad in flush-mounting housing, faceplate in brushed stainless steel

SOMloq2



IP65

Access systems



IP65

ENTRAcode+ code keypad, surface-mounted **NEW** S11188-00001

- Clear lines, a white housing and high-quality stainless steel trim for a timeless design
- Battery-operated, no power supply connection or wiring necessary
- Unlike wired systems, no short-circuiting or bridging possible
- Keypad with lighting
- Ideal for retrofitting thanks to radio technology
- Flexible usage options, e.g. door operator, house door, lighting and alarm system can be controlled
- Radio commands: 1–5
- Radio frequency: FM 868.95 MHz (SOMloq2)
FM 868.8 MHz (Somloq Rollingcode)
- Range: Approx. 25 m (depending on the surroundings)
- Dimensions: 64.5 × 130 × 37 mm
- Battery: 2 × Mignon (AA), 1.5 V
- Temperature range: –20 °C to +55 °C

Scope of delivery: ENTRAcodE+ core module with code keypad in surface-mounting housing, faceplate in brushed stainless steel, 2 batteries



Slide-open housing

IP54

ENTRApin+ radio code pad S10357-00001

- Opens garage doors and yard gates with an individually programmable numeric code
- Battery-operated, no power supply connection or wiring necessary
- Memory locations: 1 access code
- Coding: individual, 4–8 digits
- Keypad: alphanumeric, with lighting
- Status indication: green/red LED (for transmission and faults)
- Security: no short circuits or bridging possible as with wired systems
- Radio commands: 1 (e.g. gate or door)
- Radio frequency: FM 868.95 MHz (SOMloq2)
FM 868.8 MHz (Somloq Rollingcode)
- Range: approx. 50 m (depending on the surroundings)
- Power consumption: low (battery-saving)



IP54



IP65

“Cody light” coder switchgear 5212V000

- With foil keypad in plastic housing
- Activation of one garage door
- Up to 4 access codes can be saved
- Simple programming via DIP switch
- Power supply: AC/DC 20–28 V or AC 230–240 V

Access systems

"Cody light 1/2 Quadra-line" coder switchgear

5213V001

- With buttons in metal housing
- Activation of two garage doors
- Up to 2 access codes can be saved per door
- Simple programming via DIP switch
- Power supply: AC/DC 20–28 V or AC 230–240 V



IP54



IP65

Key switch in metal housing (surface-mounted)

- The key switch is available in a 1-contact or 2-contact version and with or without cylinder.
- Dimensions: 73.5×73.5×45 mm
- Versions with cylinder: incl. DIN profile half-cylinder 10/30 (key removable in centre position) and 3 keys

1 contact with cylinder 5004V000

1 contact without cylinder 5006V000

2 contacts with cylinder 5008V000

2 contacts without cylinder 5010V000



IP54



Key switch in metal housing (flush-mounted)

- The key switch is available in a 1-contact or 2-contact version and with or without cylinder.
- Dimensions: 100×90×55.5 mm
- Flush-mounted box Ø 60 mm
- Versions with cylinder: incl. DIN profile half-cylinder 10/30 (key removable in centre position) and 3 keys

1 contact with cylinder 5003V000

1 contact without cylinder 5005V000

2 contacts with cylinder 5007V000

2 contacts without cylinder 5009V000



IP54



Key switches in metal housing

1-contact with cylinder (flush-mounted)

S11488-00001

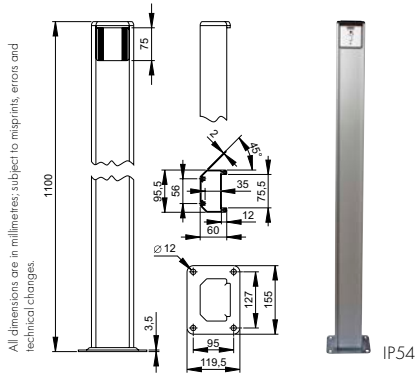
- Ideal for installation in the gate post
- Dimensions: 75×75×52 mm
- Flush-mounted box Ø 60 mm
- Incl. DIN profile half-cylinder 10/30 (key removable in centre position) and 3 keys



IP54



Pulse buttons



Key switch post

5031V000

- Post made of aluminium
- Key switch, 1 contact with cylinder
- Incl. DIN profile half-cylinder 10/30 (key removable in centre position) and 3 keys



KeyGarage key safe

NEW

S 11141-00001

- For safe storage of up to 50 keys, or in combination with release set (# S11142-00001), for protection of the release lever against unauthorised access.
- Dimensions: 120 × 83.5 × 62 mm
- Large, stable metal housing
- Individually programmable numeric code (4-digit)



3-function pad

NEW

- Surface-mounted
- Wired
- UP/STOP/DOWN

Building feed 5 m (4-wire)

S 12068-00001

Building feed 7 m (4-wire)

S 12068-00002

Building feed 11 m (4-wire)

S 12068-00003



3-function pad lockable

S 11466-00001

- Surface-mounted
- Wired
- Lock OFF/UP/STOP/DOWN
- Building feed 7 m (4-wire)

Key switch in metal housing

- Pulse mode 2-contact
- Emergency stop
- Feed via cable gland M20
- Incl. DIN profile half-cylinder 10/30 (key removable in centre position) and 3 keys



Flush-Mounted

5121V000

- Dimensions: 170 × 100 × 68 mm

Surface-Mounted

5122V000

- Dimensions: 131 × 76 × 68 mm

Pulse buttons

Main switch (lockable)

5026

- 4-pin (prescribed for private and commercial applications)
- Voltage 600 V / 16 A



IP65

Palm button

5024

- Emergency stop
- Plastic housing (self-holding)



IP65

Emergency Stop palm button

NEW

10382V000

- Emergency stop button for installation in the control unit housing
- Incl. emergency stop sign, contact element NC contact (IP20), contact element NO contact (IP20) and 2× wires (1× 1.5 mm², L = 400 mm)



IP67

Push-button, flat

NEW

10383V000

- Push-button for installation in the control unit housing
- Incl. mounting adapter, contact element NO contact (IP20) and 2× wires (1× 1.5 mm², L = 400 mm)



IP67

Pull button

S10798-00001

- Cast-aluminium housing with 2.5 m pull rope
- Changeover contact



IP67

Pulse buttons



IP67

Motion detector RAVE-D

S10489-00001

- DC 12–36 V, AC 12–28 V
- Activates door and barrier systems
- Differentiated detection of persons and vehicles, with a potential-free output relay in each case
- Direction detection and cross traffic masking can be set
- Simplified setting options through integrated push-buttons or RMS Remote Control, which is available as an option
- Installation height of up to 7 m possible
- Detection area:
 - 9,000 × 6,500 mm (D × W) at 5,000 mm installation height and 45° angle of tilt
 - 10,000 × 5,500 mm (D × W) at 7,000 mm installation height and 45° angle of tilt
- Incl. 8 m connecting cable



IP54

RMS Remote Control

S10490-00001

- Suitable for programming Rave-D motion detectors
- Convenient and precise setting with high installation height
- Query option via the display of the remote control



IP54

RaDec-M motion detector

S11066-00001

- DC 12–36 V, AC 12–28 V
- Activates door and barrier systems
- Standard motion detector with basic functionality
- Potential-free output relay
- Installation height of up to 4 m possible
- Detection area, wide: 2,000 × 4,500 mm (D × W) at 2,200 mm installation height and 30° angle of tilt
- Detection area, narrow: 4,500 × 2,000 mm (D × W) at 2,200 mm installation height and 30° angle of tilt
- Incl. 2.5 m connecting cable

Photocells

One-way photocell, rotatable through 180°, 4-wire, battery-operated NEW S12478-00001

- Range limit 20 m
- Receiver: AC/DC 12–24 V
- Transmitter: Battery supply 2× AAA 1.5 V
- Incl. batteries



One-way photocell, can rotate 180°, 4-wire 7029V000

- Range limit 20 m
- AC/DC 12–24 V; with relay output



Frame photocell, 2-wire

- Range limit 8 m
- Connection of SOMMER 2-wire system
- For installation directly in the frame
- Incl. mounting caps

without connection cable NEW S10929-00002

incl. connection cable S10929-00001

- Incl. pre-assembled connection cable 2× 10 m



Frame photocell, 2-wire

- Range limit 8 m
- Connection of SOMMER 2-wire system
- Compact design

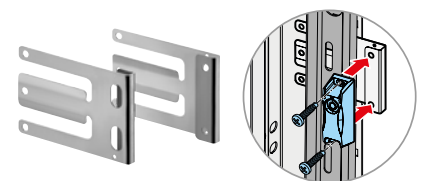
without connection cable 7028V000

Incl. connection cable 20 m 7028V001



Mounting plate, frame photocell S10600-00001

- For photocell # 7028V000 and # 7028V001



Photocells



IP44

One-way photocell, 4-wire

7020V000

- Range limit 10 m
- DC 15–35 V, AC 12–24 V; with relay output



IP44

One-way photocell, 2-wire

7023V000

- Can be connected directly to duo rapido+, twist 350, twist XL, SP 900 and RUNner (only 1x per control unit can be connected in each case)
- Range limit 8 m
- DC 15–35 V, AC 12–24 V



Universal mounting bracket

1640V000

- For photocells #7020V000 and #7023V000
- Bracket swivels (up/down)
- Photocell can be rotated and moved on the bracket



Connection cable

80134

- For photocells
- Length: 20 m
- Cross-section: 2× 0.5 mm²
- Stripped on both sides, with core end sleeves



Connection cable

NEW

S 11181-00001

- For photocells
- Length: 20 m
- Cross-section: 4× 0.5 mm²
- Stripped on both sides, with core end sleeves



IP67

One-way photocell for wide range, 4-wire

5229

- Range limit 65 m
- AC/DC 12–240 V; potential-free changeover contact
- Incl. mounting bracket

Two-way reflector light barrier, power supply only necessary on one side

5228

- Range limit 21 m
- AC/DC 12–240 V; potential-free changeover contact
- Incl. mounting bracket and reflector



Two-way reflector light barrier, power supply only necessary on one side

5233

- Not for SP 900, RUNner and RUNner+
- Range limit 14 m
- AC/DC 24–230 V; potential-free changeover contact
- Incl. mounting bracket and reflector



Two-way reflector light barrier, power supply only necessary on one side

NEW

5234V000

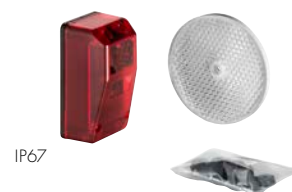
- Range limit 12 m
- DC 12–240 V, AC 24–240 V; potential-free changeover contact
- Incl. 2 m connecting cable, mounting bracket and reflector



Two-way reflector light barrier 15 m

S10970-00001

- Range limit 15 m
- DC 10–40 V, AC 24 V; potential-free changeover contact
- Incl. reflector



Weather-proof housing

S11013-00001

- For two-way reflector light barrier # S10970-00001
- Offers protection against rain, fog and snow



Weather-proof housing

7640V000

- For reflector of reflector photocells # 5228, # 5233, # 5234V000 and # S10970-00001
- Thermal separation of reflector and background
- Offers protection against rain, fog and snow



Columns for photocells

S11059-00001

- Dimensions: 80 × 50 × 470 mm (L × W × H)
- Incl. two columns and mounting material



Induction loops



IP30



IP30



Induction loop detector, 1-channel

5406V000

- For the inductive detection of vehicles
- Area for use: barrier arms, gates, doors, parking and traffic technology
- Incl. 11-pole plug-in base
- Relay operating principle selectable
- Power supply: AC 90–250 V, 50/60 Hz, max. 1.7 W
- Control output: Relay 1: changeover relay with permanent signal
Relay 2: changeover relay with permanent signal
(can be switched over to pulse signal)

Induction loop detector, 2-channel

5412V000

Like # 5406V000

- Control output: one NO contact per channel with permanent signal
(relay 2 can be switched over to pulse signal)
- Evaluation of two loops
- Presence or direction detection

Induction loop

- Inductive assembled loop with 8 m feed
- For vehicle detection via induction loop detectors
- For cold sealing

Circumference 5 m 10296V000

Circumference 9 m 10297V000

Circumference 13 m 10298V000

Safety contact strips

Safety contact strip, optical 3680

- Without sealing lip

Bumper set 46 mm M8 5078

- For safety contact strip without sealing lip
- 2 pieces



Safety contact strip, optical 3682

- With sealing lip

Bumper set 35 mm M8 5079

- For safety contact strip with sealing lip
- 2 pieces



Aluminium C-rail NEW

- Fits rubber profile (passive) and safety contact strips

Length 1 m S 11847-00001

Length 2 m S 11847-00002

Transmitter and receiver unit 5096V001

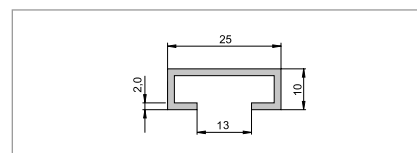
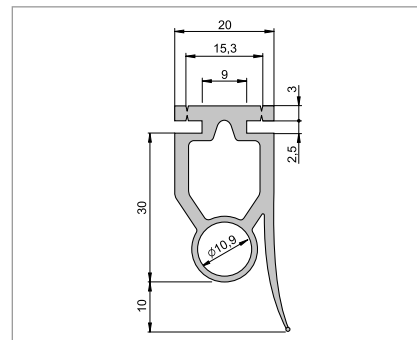
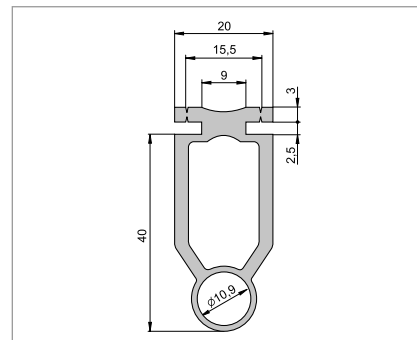
- LOW-POWER-SIGNAL
- For optical safety contact strip
- With diagnostic display
- Housing diameter: 12 mm
- Cable length: 0.5 m / 6.5 m
- Range: 1–12 m
- Operating voltage: Battery operation: 3–6 V
Spiral cable: 9–27 V
reverse-polarity proof
- Current consumption: Battery operation: typ. 1.6 mA
Spiral cable: typ. 3.8 mA

ADOS 21/12 20764V000

- Adapter plug for OSE
- Adapter from 21 mm to 12 mm

ADOS 15/12 20765V000

- Adapter plug for OSE
- Adapter from 15 mm to 12 mm



IP67



Safety contact strips



Spiral cable

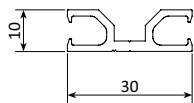
5073V001

- For optical safety contact strip
- 3× 0.5 mm²
- Extended length: 3 m

Cable socket

50046V001

- Cable socket between safety edge and spiral cable
- Angle cable outlet for spiral cable
- With insulating screw joint (3-pin)
- Small design
- Dimensions: 57×35×21 mm



Aluminium profile

NEW

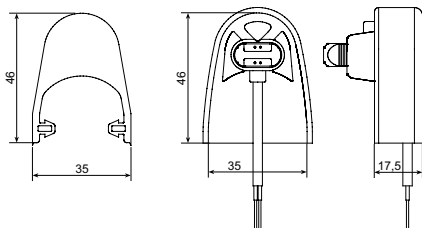
- Fits the following safety contact strips:
S12379-00001, # S12388-00001, # S12382-00001, # S12385-00001

Length 1 m

S11848-00001

Length 2 m

S11848-00002



Safety contact strip, electrical, 8.2 kOhm (H 45 mm)

NEW

S12379-00001

- Height: 45 mm
- Contact profile with lateral clip feet
- Can be assembled in any length

End cap (H 45 mm)

NEW

S12380-00001

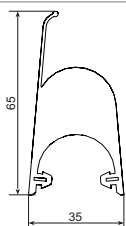
- Incl. 2.5 m connecting line

End cap (H 45 mm)

NEW

S12381-00001

- Incl. 8.2 kOhm terminal resistor



Safety contact strip with sealing lip, electrical, 8.2 kOhm (H 65 mm)

NEW

S12388-00001

- Height: 65 mm
- Contact profile with lateral clip feet
- Can be assembled in any length
- Fits end caps # S12380-00001 and # S12381-00001

Safety contact strips

Safety contact strip, electrical, 8.2 kOhm (H 65 mm) NEW S12382-00001

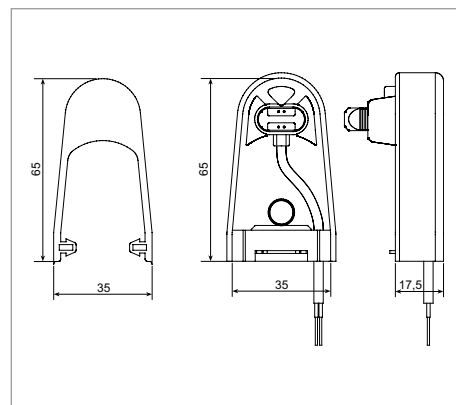
- Height: 65 mm
- Contact profile with lateral clip feet
- Can be assembled in any length

End cap (H 65 mm) NEW S12383-00001

- Incl. 2.5 m connecting line

End cap (H 65 mm) NEW S12384-00001

- Incl. 8.2 kOhm terminal resistor



Safety contact strip, electrical, 8.2 kOhm (H 85 mm) NEW S12385-00001

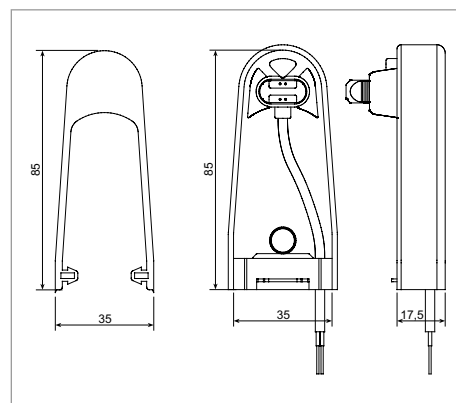
- **Ideal for sliding gates;** Height: 85 mm
- Contact profile with lateral clip feet
- Can be assembled in any length

End cap (H 85 mm) NEW S12386-00001

- Incl. 2.5 m connecting line

End cap (H 85 mm) NEW S12387-00001

- Incl. 8.2 kOhm terminal resistor



Housing for connecting cable 50046

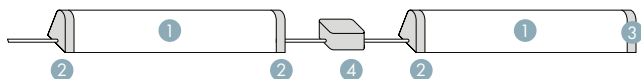
- With cable gland
- Dimensions: 50 × 50 × 35 mm



Series connection of electrical safety contact strips

① electrical safety contact strips	1	2	3	4	5
② End cap incl. connecting cable	1×	3×	5×	7×	9×
③ End cap incl. terminating resistor	1×	1×	1×	1×	1×
④ Housing for connecting cable	-	1×	2×	3×	4×

Example: **Series connection of 2 electrical safety contact strips**
 The following are required: 2 × ① + 3 × ② + 1 × ③ + 1 × ④



i A maximum of 5 electrical safety contact strips can be connected in series per evaluation.

Safety contact strips



IP65

External evaluation unit

5095

- For optical and electrical safety contact strips
- AC 230 V $\pm 10\%$
- Surface-mounted
- Connection of two optical or several electrical (8.2 kOhm) safety contact strips is possible
- Separate relay for reversion and stop
- Safety category 3
- Separate connection for slack wire switch/wicket door contact



IP65

Inductive signal transmission system

5075V002

- For sliding gates up to a gate width of 20 m
- Incl. evaluation unit for 4 electrical safety contact strips 8.2 kOhm (2x mobile / 2x stationary)
- AC 230 V, 50/60 Hz



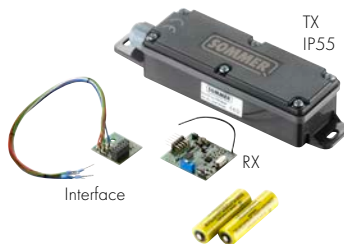
TX
IP55

RX

DoorScout

5150V001

- Wireless signal transmission system for safety contact strip
- Compatible with RUNner, RUNner+, SP 900, S 900 from software version 3.1 and RDC Vision+
- Incl. 1x receiver on the control unit side (RX), 1x transmitter on the gate/door side (TX) and 2x AA lithium battery
- Range: max. 100 m (depending on the surroundings)
- Receiver on the control unit side (RX) is plugged onto the operator control unit
- Transmitter on the gate/door side (TX):
 - Battery-operated (2x AA lithium battery 3.6 V)
 - Degree of protection IP55
 - Dimensions: 190 x 51 x 36 mm



TX
IP55

RX

Interface

DoorScout for RDC Vision

5150V000

- Wireless signal transmission system for optical safety contact strip (LOW-POWER-SIGNAL)
- Compatible with RDC Vision from software version 1.7
- Incl. 1x receiver on the control unit side (RX), 1x transmitter on the door side (TX), 1x interface and 2x AA lithium battery
- Range: max. 100 m (depending on the surroundings)
- Receiver on the control unit side (RX) is plugged onto the interface
- Transmitter on the door side (TX):
 - Battery-operated (2x AA lithium battery 3.6 V)
 - Degree of protection IP55
 - Dimensions: 190 x 51 x 36 mm

Traffic / warning lights

LED traffic light AC/DC 24 V

- For inside and outside; modular design
- AC/DC 24 V, max. 1.5 W
- Dimensions: 160×160×180 mm (W×H×D)
- Incl. mounting material

Red 5230V000

- For SOMMER base⁺, pro⁺, tiga, tiga⁺ and barriers with SOMloq2 radio system

green 3119V000

- For SOMMER tiga⁺ and barriers with SOMloq2 radio system



IP65



IP65

Can be combined as a red-green traffic light

LED traffic light AC 230 V

- For inside and outside; modular design
- AC 230 V; max. 5 W
- Dimensions: 160×160×180 mm (W×H×D)
- Incl. mounting material

Red 5231V000

green 5232V000

LED illuminant

NEW

- For conversion of 230 V traffic lights to AC/DC 24 V
- DC 10–30 V, 4 W
- Colour: cold white
- Not dimmable

Lampholder E14 S11449-00001

Lampholder E27 S11450-00001



Traffic / warning lights



IP65

Lumi Strip traffic light

S11481-00001

- LED red-green traffic light
- Inconspicuous, narrow design
- LED board sealed in plastic housing
- DC 24 V, 4.5 W per colour row
- Colour: red/green (6 LEDs each)
- 8 m connection line
- Dimensions: 287 × 8 × 17.2 mm (L × W × H)
- An optional Relay or Output OC may be required.



IP65

Lumi Strip lighting/warning light

S11480-00001

- LED warning light
- Inconspicuous, narrow design
- LED board sealed in plastic housing
- DC 24 V, 4.5 W per colour row
- Colour: cold white/yellow (6 LEDs)
- 8 m connection line
- Dimensions: 287 × 8 × 17.2 mm (L × W × H)
- An optional Relay or Output OC may be required.



IP44

Warning light

- Not self-blinking; lampholder E14, 25 W; with light bulb

24 V

5069V001

230 V

5070V001



IP44

LED warning light

5114V000

- DC 12–34 V, AC 24 V
- Not self-blinking; lampholder BA15s, 3 W; with LED illuminant



LED illuminant

10428V000

- DC 12–34 V, AC 24 V / 3 W
- Lampholder BA15s
- Colour: cold white
- For sprint evolution, duo vision, duo rapido⁺, ASB-6010A, ASB-5014A, ASB-5507A and LED warning light



Wall holder for warning light

S10771-00001

- For warning light # 5069V001, # 5070V001, # 5114V000
- Incl. mounting material

Emergency power supply

Battery pack

5115V001

- In the event of a power failure, the battery pack supplies energy to the operator for up to 12 hours with a maximum of 10 door cycles (OPEN/CLOSE).¹⁾
- For SOMMER tiga⁺, twist AM, twist UG, twist UG⁺, SP 900²⁾, RUNner, RUNner⁺ and barriers with SOMloq2 radio system
- 1.2 Ah; DC 24 V
- Integrated charging electronics with deep discharge protection
- Simple installation in the position provided in the operator housing
- Connection with matching connection cable (please order separately)



Connection cable for battery pack

- For connection of control unit and battery pack



Length 380 mm

20466V001

- For SOMMER tiga⁺, twist AM, twist UG and twist UG⁺

Length 780 mm

20466V000

- For SP 900, RUNner and RUNner⁺

Installation plate for SP 900

3707V000

- For installing the battery pack in the post of the SP 900
- Incl. mounting material



Accu

S10523-00001

- Provides emergency power supply for the operator for 12 hours and 5 door cycles (OPEN/CLOSE)¹⁾
- 700 mAh; 24 V
- Integrated charging electronics with plug connection
- Simple installation in the position provided in the operator housing
- For SOMMER base⁺, pro⁺ and tiga



TorMinal

3800V000

The TorMinal is used for reading out and adjusting pre-set values of the SOMMER operator control units. It can also be used to activate and deactivate special functions.

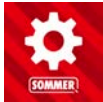
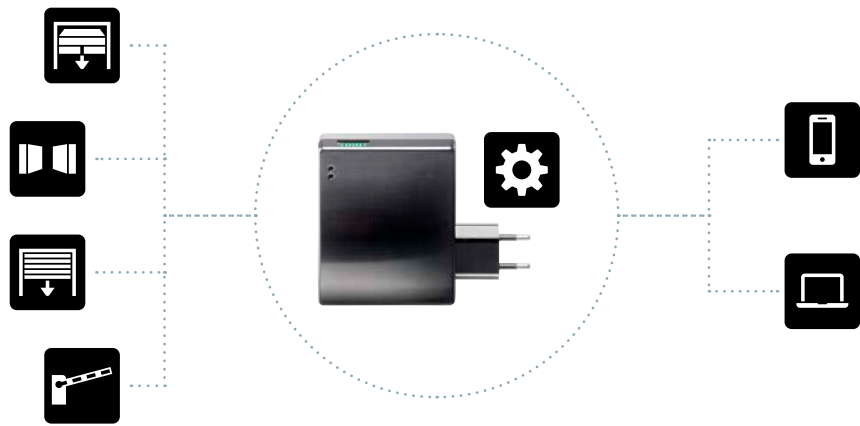
- For duo vision, duo rapido⁺, twist 200 E/EL, twist 350, twist XL, STArter, STArter⁺, SP 900, S 900, RUNner, RUNner⁺, RDC Vision and RDC 800

Service interface



¹⁾ The performance of the battery is influenced by the external operational conditions. The data may therefore vary from the specified data.
²⁾ SP 900: only with control units from Rev. G and software version 1.6

Service interface



SOMlink app for Android

This app facilitates connection set-up between your smartphone or tablet and the SOMlink. Select the desired SOMlink from a list of all SOMlinks available in the range and use all available functions via the app. Available free of charge in the Google Playstore.



SOMlink

With this intelligent control technology for specialist retailers, there are additional options for easily adjusting features and parameters of operators and radio receivers using your smartphone, tablet PC or laptop.

Compatibility

- Service interface for operators and radio receivers with SOMloq2 radio system.

Technology

- Integrated WiFi module
- Integrated web server
- Universal for smartphones, tablets or laptops
- Interface between WiFi and SOMloq2 radio system
- No saving of data on external servers
- No on-site Internet connection required! A direct WiFi connection is established between smartphone, tablet PC or laptop and the SOMlink.

Diagnosis and service

- Help with commissioning
 - Delete transmitter
 - Teaching force values
 - and much more
- Changing operator settings
 - Period of illumination
 - Speeds
 - Pre-warning times
 - Configuring safety devices
 - and much more
- Calibrating force values
- Reading out, saving and loading system data
- Reading out diagnostic information
 - Cycle counter
 - Event history
 - Visualisation of force curves
 - and much more



SOMlink

7040V000

- Service interface; FM 868.95 MHz; WiFi
- No on-site Internet connection required! A direct WiFi connection is established between smartphone, tablet PC or laptop and the SOMlink.
- Features and parameters can be adjusted via smartphone, tablet or laptop
- **For specialist retailers only!** The sale of this service tool exclusively via specialist retailers ensures correct parametrisation by a trained specialist.
- For operators and radio receivers with SOMloq2 radio system



You can access a demo version of the web app at www.som4.me/SOMlink.

LIFTer

- Installation aid for tension-sprung doors
- Door can be installed by one technician:
 - saves installation costs
 - increases installation capacity
- Reduces the physical effort required, as you no longer need to lift the door yourself
- Durable and powerful special motor
- Operated with the operator already installed
- Simple control in dead man mode using the handheld transmitter supplied
- Max. traction: 1100 N
- Max. door weight: 100 kg
- For SOMMER base⁺, pro⁺, tiga, tiga⁺, A 550 L and A 800 XL

without case

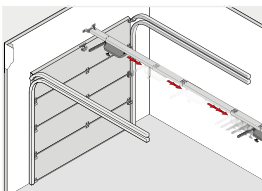
S10941-00001



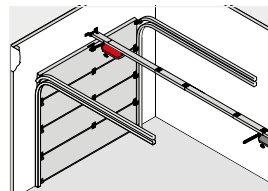
with case

NEW

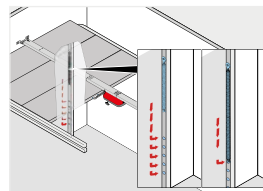
S10941-00003



- 1 Simply disconnect the motor carriage of the operator already installed and slide to OPEN position.



- 2 Place the LIFTer in the rail and connect with the garage door.



- 3 Using the handheld transmitter, raise the door until the tension springs can be tensioned easily.

CHECKy

S10547-00001

- A clever little helper when installing garage doors and carrying out the subsequent function test:
 - CHECKy upright (50 mm): obstacle detection function test at 50 mm.
 - CHECKy flat (20 mm): function test of obstacle detection disabling under 50 mm
 - Bore hole marking for attachment to header/ceiling and the SOMMER pro⁺ wall control unit
- Incl. bore hole marker
- Incl. tool for DIP switch setting and operation of the spring-type terminals





Roller shutter and awning operators



Advantages of the SOMMER roller shutter and awning operators

There are many advantages to installing a tubular motor from SOMMER – for retrofitting of most existing roller shutters and awnings as well as for new constructions:

It is much **more convenient** to open and close roller shutters or awnings with the simple press of a button or fully automatically; moving them manually seems a cumbersome task by comparison.

The **mechanisms of roller shutters and awnings** are **protected** by the even and smooth movement via tubular motor.

The control units and the numerous accessories, such as light sensor, wind sensor or radio receiver, give you **even more options**: Thanks to the use of a light sensor, your roller shutter closes automatically in strong sunlight, and your bedroom remains pleasantly cool in summer. With an integrated time control unit, roller shutters can be automatically opened and closed at a specific time, or even randomly. **This helps to confuse potential burglars while you are away** by creating the impression that someone is home.

How to find a suitable tubular motor

Tubular motors for roller shutters

Roller shutter shaft	Operator	Item no.	Required accessories	Torque (Nm)	Weight (kg)	Max. shutter area		
						PVC (m ²)	Aluminium (m ²)	Wood (m ²)
40 mm octagon	A 10/17/35	3940V000	-	10	25	5.5	4.2	-
60 mm octagon	A 10/15/45	3950V000	-	10	20	4.4	3.3	-
	A 20/15/45	3951V000	-	20	40	8.8	6.7	-
	A 30/15/45	3952V000	-	30	55	12.2	9.2	5.5
	A 40/15/45	3953V000	-	40	70	15.5	11.7	7.0
	A 50/12/45	3954V000	-	50	90	20.0	15.0	9.0
70 mm octagon	A 30/15/45	3952V000	5902V000	30	50	11.1	8.0	5.0
	A 40/15/45	3953V000	5902V000	40	60	13.3	10.0	6.0
	A 50/12/45	3954V000	5902V000	50	75	16.7	12.5	7.5

Roller shutter weights		
PVC	approx. 3.5–5.0 kg/m ²	(calculation basis 4.5 kg/m ²)
Aluminium	approx. 5.0–7.0 kg/m ²	(calculation basis 6.0 kg/m ²)
Wood	approx. 10 kg/m ²	(calculation basis 10 kg/m ²)

Tubular motors for awnings

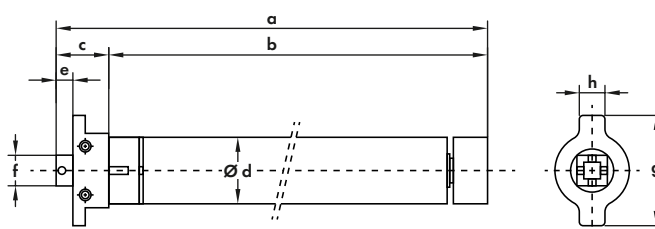
Roller	Operator	Item no.	Required accessories	Torque (Nm)	Number of hinged brackets	Spring force (N)	Torque requirement (Nm)
63 mm notch tube	A 20/15/45	3951V000	5908V000	20	2	500	18
	A 30/15/45	3952V000	5908V000	30	3	750	26
	A 40/15/45	3953V000	5908V000	40	4	1000	35
	A 50/12/45	3954V000	5908V000	50	5	1250	44
70 mm notch tube	A 20/15/45	3951V000	5906V000	20	2	500	20
	A 30/15/45	3952V000	5906V000	30	3	750	30
	A 40/15/45	3953V000	5906V000	40	4	1000	40
	A 50/12/45	3954V000	5906V000	50	5	1250	50
85 mm notch tube	A 40/15/45	3953V000	5909V000	40	3	750	36
	A 50/12/45	3954V000	5909V000	50	4	1000	48

Awning springs		
Force/arm	approx. 20–30 kg	(calculation basis 25 kg/arm)

Dimension table for tubular motors

Operator	a	b	c	d	e	f	g	h
A 10/17/35	520	490	30	35	14	10×10	70	20
A 10/15/45	487	450	37	45	14	10×10	70	20
A 20/15/45	487	450	37	45	14	10×10	70	20
A 30/15/45	557	520	37	45	14	10×10	70	20
A 40/15/45	557	520	37	45	14	10×10	70	20
A 50/12/45	557	520	37	45	14	10×10	70	20

All dimensions are in millimetres; subject to misprints, errors and technical changes.



Tubular motors

Tubular motor A 10/17/35 3940V000

- AC 230 V, 50 Hz
- Torque 10 Nm, speed 17 min⁻¹
- Cable length 1.9 m
- Incl. standard accessories (see below)

Tubular motor A 10/15/45 3950V000

- AC 230 V, 50 Hz
- Torque 10 Nm, speed 15 min⁻¹
- Cable length 1.9 m
- Incl. standard accessories (see below)

Tubular motor A 20/15/45 3951V000

- AC 230 V, 50 Hz
- Torque 20 Nm, speed 15 min⁻¹
- Cable length 1.9 m
- Incl. standard accessories (see below)

Tubular motor A 30/15/45 3952V000

- AC 230 V, 50 Hz
- Torque 30 Nm, speed 15 min⁻¹
- Cable length 1.9 m
- Incl. standard accessories (see below)

Tubular motor A 40/15/45 3953V000

- AC 230 V, 50 Hz
- Torque 40 Nm, speed 15 min⁻¹
- Cable length 1.9 m
- Incl. standard accessories (see below)

Tubular motor A 50/12/45 3954V000

- AC 230 V, 50 Hz
- Torque 50 Nm, speed 12 min⁻¹
- Cable length 1.9 m
- Incl. standard accessories (see below)



IP44



Standard accessories

These standard accessories are included in the scope of delivery:

Wall anchor (offset)

- Included with tubular motors A 10/17/35, A 10/15/45–A 40/15/45, A 50/12/45
- Load-bearing capacity 48/60 mm



Adapter for 40 size octagonal tube

- Included with tubular motor A 10/17/35



Adapter for 60 size octagonal tube

- Included with tubular motors A XX/XX/45



Wall anchor



Wall anchor

5904V000

- Suitable for tubular motors A 10/17/35, A 10/15/45–A 40/15/45, A 50/12/45
- For renovations with existing plaster bearing



Wall anchor

5905V000

- Suitable for tubular motors A 10/17/35, A 10/15/45–A 40/15/45, A 50/12/45
- For new constructions with newly built box



Wall anchor

5933V000

- Suitable for tubular motors A 10/17/35, A 10/15/45–A 40/15/45, A 50/12/45
- With spring cotter pin
- For front and construction elements



Universal wall anchor

5935V000

- Suitable for tubular motors A 10/17/35, A 10/15/45–A 40/15/45, A 50/12/45
- For renovations and new constructions with newly built box
- Simplified installation thanks to flexible and time-saving shaft adjustment
- Can be unlatched

Adapters for all tubular motors A XX/XX/45



Adapter set for 50 size octagonal tube

5900V000

- For all tubular motors A XX/XX/45



Adapter set for 50 size round tube

5907V000

- For all tubular motors A XX/XX/45



Adapter set for 63 size notch tube

5908V000

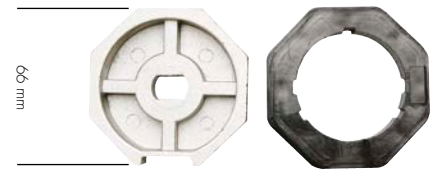
- For all tubular motors A XX/XX/45

Adapters for all tubular motors A XX/XX/45

Adapter set for 70 size octagonal tube

5902V000

- For all tubular motors A XX/XX/45



Adapter set for 70 size notch tube

5906V000

- For all tubular motors A XX/XX/45



Adapter set for 85 size notch tube

5909V000

- For all tubular motors A XX/XX/45

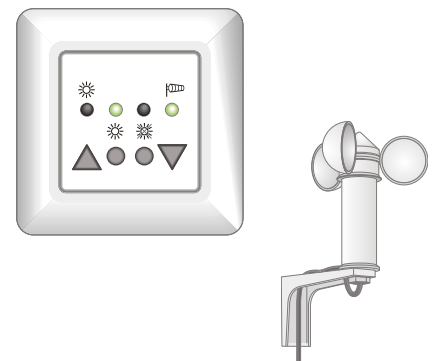


Control unit for awning operators

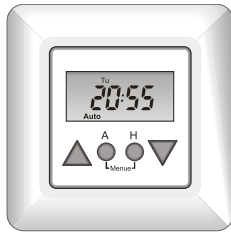
ContRoll Sun

6006V000

- Including sun and wind sensor
- Status indication with dual-colour LEDs
- Manual or automatic mode can be set (wind automation is always active)
- Limit values can be individually set for wind and sun
- Colour: signal white (similar to RAL 9016)
- Including cover frame for individual assembly



Control units for roller shutter operators



ContRoll Astro

6008V000

Roller shutters and timer with Astro program

- Manual or automatic mode can be set
- Date and time set at the factory
- Weekly function and opening and closing time can be programmed individually for each day of the week
- Astro function and opening and closing corresponding to the current sunrise and sunset times
- Random function can be activated for presence simulation
- Saving of data in the event of power failures
- Automatic summer and wintertime changeover
- Sun function, connection option for light sensor (# 6010V000)
- Colour: signal white (similar to RAL 9016)
- Including cover frame for individual assembly

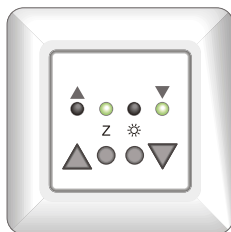


ContRoll Touch

6009V000

Roller shutter timer with all the benefits of the ContRoll Astro as well as:

- Blue illuminated touch screen display
- Central input for controlling via higher-level control device
- Dimming function in combination with light sensor (# 6010V000)
- Colour: signal white (similar to RAL 9016)
- Including cover frame for individual assembly

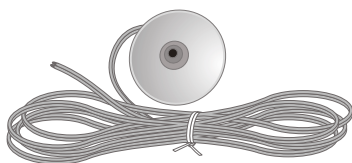


ContRoll Shutter

6007V000

Motor control unit for a roller shutter operator

- In comparison to roller shutter switches and buttons, offers extended functions and combination options
- Manual or automatic mode can be set via central control unit
- 3-wire central input
- Separate connection for central command forwarding
- Sun function and connection option for light sensor (# 6010V000)
- Colour: signal white (similar to RAL 9016)
- Including cover frame for individual assembly



Light sensor

6010V000

- Suitable for ContRoll Astro, ContRoll Touch, ContRoll Shutter control units
- For fixing on the inside of a window
- Incl. 2 m cable
- Colour: White

Isolating relay

6005V000

- For parallel connection of 2 tubular motors to a joint control unit or a locked blind button
- Connections for locked blind buttons for single operation of the connected motors
- Installation, for example, in a 55 size socket with deep terminal space



Blind switch (surface mounting)

S10968-00001

- Latching/sensing; white housing
- AC 230 V, max. 10 A
- Connection for 1 tubular motor A 10/17/35, A 10/15/45–A 40/15/45, A 50/12/45



Blind switch (flush mounting)

5973

- Latching/sensing; white housing
- AC 230 V, max. 10 A
- Connection for 1 tubular motor A 10/17/35, A 10/15/45–A 40/15/45, A 50/12/45



FunkManager S

5980V000

- Programmable via radio control system for controlling roller shutters, blinds and awnings
- For flush mounting (deep standard socket)
- Not compatible with Telecody, ENTRAsys and ENTRApin
- Coding: Somloq Rollingcode
- Rated voltage: AC 230 V $\pm 10\%$
- Rated frequency: 50/60 Hz
- Relay output: 4 A, 50/60 Hz
- Dimensions: 48 x 51 x 26.5 mm
- Operating mode: targeted OPEN and CLOSE



FunkManager S in set

5990V000

- Like # 5980V000
- Also including 4-command handheld transmitter Classic (# 4020V000)



You can find even more matching **radio products** starting on page 110.

Roller door control units

RDC Vision⁺



Quality

- Universal roller door control unit for tubular motors up to 1,000 W, AC 230 V.
- Integrated LED technology: durable, energy-saving and efficient lighting
- Made in Germany

Versatility

- Defined "OPEN", "STOP" and "CLOSE" activation via radio, external or integrated 3-function pad
- Lighting can be activated by radio
- Transmitter can be deleted selectively
- Suitable for private and commercial use

Security

- TÜV type-tested certification
- Standard-compliant safety switch-off in acc. with Category 2, PLd
- Bidirectional, secure radio system SOMloq2 thanks to 128-bit AES encryption
- Integrated evaluation of optical or electrical safety contact strips
- Convenient connection via pluggable connecting terminals which cannot be interchanged

Intelligence

- Fully automated learning process for run times
- Countless setting and querying options via SOMlink service interface or DIP switch, for example automatic closing, partial opening, service interval and door cycles.
- Disabling of the roller door in combination with a frame photocell
- Simple and quick diagnosis via integrated LEDs on the connecting terminals and slots

Connection options

- Can be expanded with a wide range of accessories, e.g. Memo memory extension, Senso humidity sensor, alarm/warning buzzer (alarm buzzer only in combination with a pre-end position switch or Senso in ventilation position)
- Slot for additional Relay or open collector output Output OC
- Serial interface for the HomeLink radio receiver module
- Wireless signal transmission system DoorScout for safety contact strip in combination with LOW-POWER-SIGNAL sensors
- Optical and electrical safety edge
- Pre-end position switch, e.g. reed contact
- Palm button for Emergency Stop
- Anti-drop device
- Buttons such as key switches and 3-function pad
- Photocell for protection in door Close (2-wire, 4-wire and frame photocell)
- External warning light 230 V, max. 40 W

RDC Vision⁺



RDC Vision⁺

NEW

S11456-00001

- Universal roller door control unit for tubular motors up to 1,000 W, AC 230 V
- Integrated radio receiver (FM 868.95 MHz SOMloq2, 40 radio memory positions)
- Integrated 3-way button
- LED lighting
- Dimensions: 288 × 160 × 75 mm
- Degree of protection IP21



Accessories for roller door control units

RDC Vision⁺ connection set

NEW

S10848-00002

- For optical safety contact strip
- Incl. prewired cable socket and spiral cable with terminal



* You can find the detailed warranty terms at www.sommer.eu.



In combination with the additional relay "Relay", the Lumi Strips can also be installed in the side of the housing, adding a further attractive visual element.

SOMMER
www.sommer.eu

Barrier systems

Economic installation

Thanks to Plug & Go, installation consists only of set-up and connection.

Flexible adjustment

The boom can be shortened on-site to the exact dimensions. This allows for customised production directly at the construction site.

Safety due to obstacle detection

The operating forces of the barriers are certified to EN 12453. The automatic obstacle detection provides additional safety. The barrier opens automatically reverses if an obstacle is encountered; this ensures that vehicles will not be trapped.

Bidirectional SOMloq2 radio control system

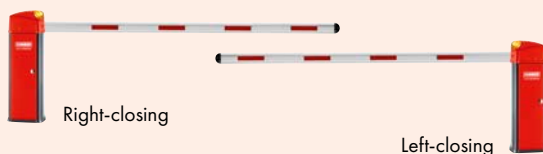
Thanks to the integrated radio receiver with bidirectional SOMloq2 radio control system, the barrier can be operated conveniently via radio. The 128-bit AES encryption with Rollingcode provides maximum protection of data against hackers.

Connection options

- Numerous accessories for expansion, e.g. Memo memory extension, warning buzzer, Lumi Strip LED lighting elements
- Slot for additional Relay or open collector output Output OC
- Serial interface for the HomeLink radio receiver module
- Optional connection of 2/4-wire photocell
- Optional connection of two induction loops (potential-free contact of a separate evaluation unit)



Simply ingenious: Just state the desired closing direction when you place your order, and there will be no need for any conversion work on the construction site!



Convenience

As we can supply both left- and right-closing barriers, here, too, no adaptation is necessary during installation.

Connections for safety accessories

All connections for safety-relevant accessories are already present.

Emergency release in the event of power failure

In the event of a power failure, the mechanical emergency release can be activated to open or close the barrier. Alternatively, emergency operation via a battery pack is possible.

SOMlink service interface

With intelligent control technology for specialist retailers, there are additional options for easily adjusting features and parameters with a web app using your smartphone, tablet or laptop.

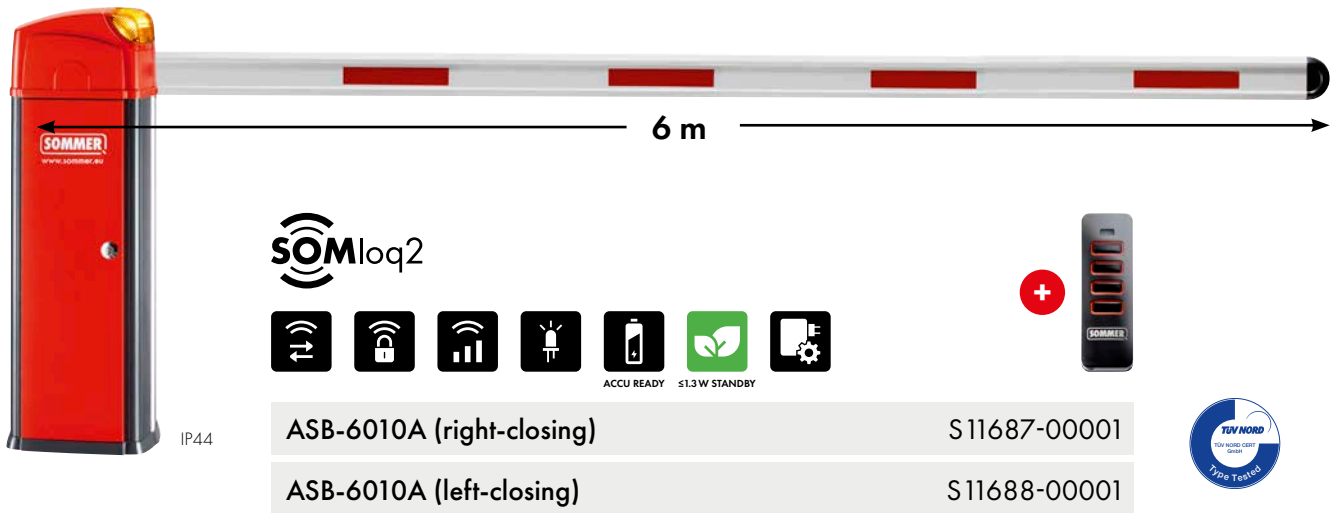
- Connection option for voltage supply, 12 V or 24 V, for external devices
- Connection option for 3-way button for defined activation of OPEN, STOP and CLOSE
- Connection option for an emergency stop button
- Connection option for a 24 V / 3 W warning light
- Connection option for a timer contact.
- A red and green traffic light (24 V / 7 W) can be connected with the optional additional equipment Relay.

Barriers



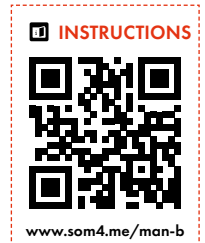
ASB-6010 (right-closing)	S11683-00001
ASB-6010 (left-closing)	S11684-00001

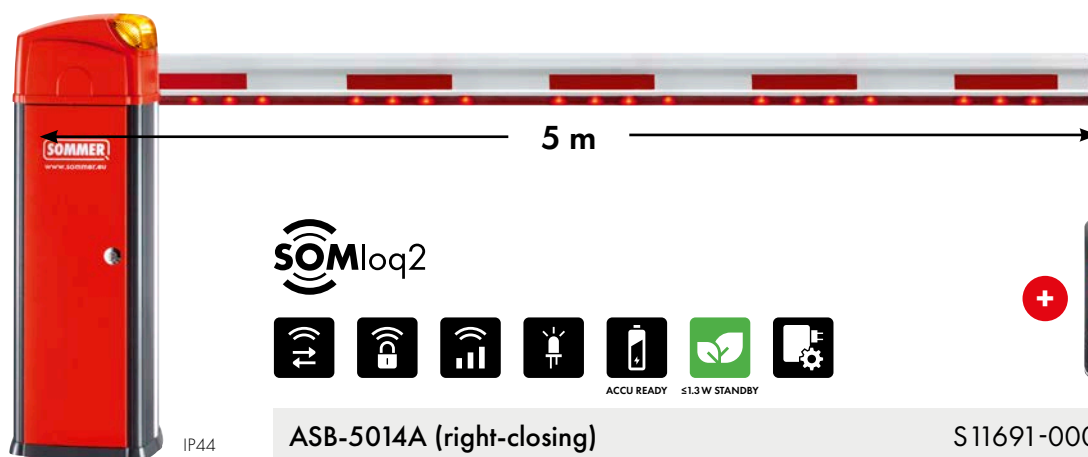
- Barrier in steel housing
- Including boom H10, 6 m
- Integrated radio receiver (FM 868.95 MHz SOMloq2, 40 radio memory positions)
- Pre-programmed Pearl Vibe 4-command handheld transmitter (# 4019V000) with noticeable feedback of radio commands via vibration
- Integrated motor control unit
- Max. 350 cycles/day



ASB-6010A (right-closing)	S11687-00001
ASB-6010A (left-closing)	S11688-00001

- Barrier in **aluminium housing**
- Including boom H10, 6 m
- **Integrated LED warning light**
- Integrated radio receiver (FM 868.95 MHz SOMloq2, 40 radio memory positions)
- Pre-programmed Pearl Vibe 4-command handheld transmitter (# 4019V000) with noticeable feedback of radio commands via vibration
- Integrated motor control unit
- Max. 350 cycles/day





SOMloq2



ASB-5014A (right-closing)

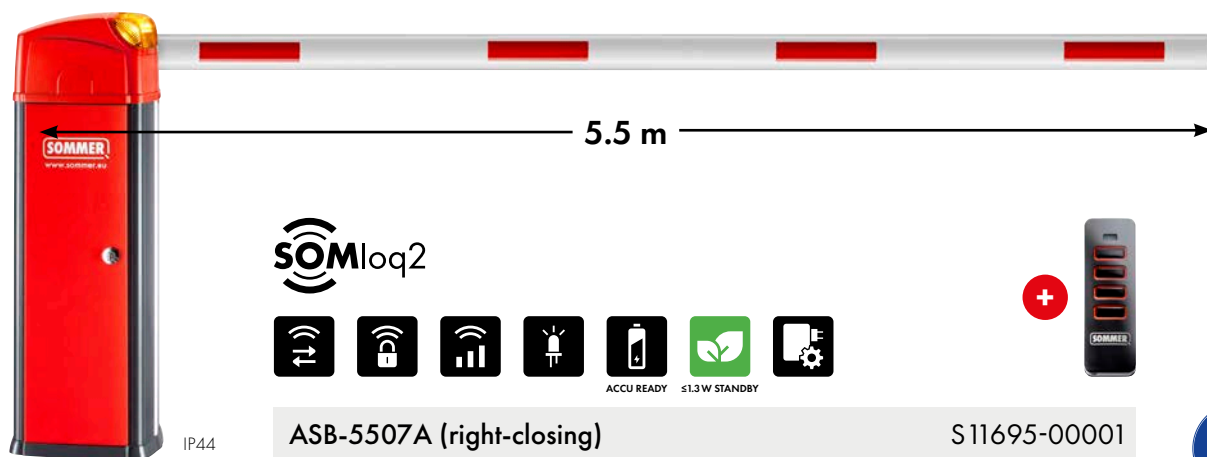
S11691-00001

ASB-5014A (left-closing)

S11692-00001



- Barrier in **aluminium housing**
- Incl. boom H14, 5 m **with LED lighting**
- **Integrated LED warning light**
- Integrated radio receiver (FM 868.95 MHz SOMloq2, 40 radio memory positions)
- Pre-programmed Pearl Vibe 4-command handheld transmitter (#4019V000) with noticeable feedback of radio commands via vibration
- Integrated motor control unit
- Max. 350 cycles/day



SOMloq2



ASB-5507A (right-closing)

S11695-00001

ASB-5507A (left-closing)

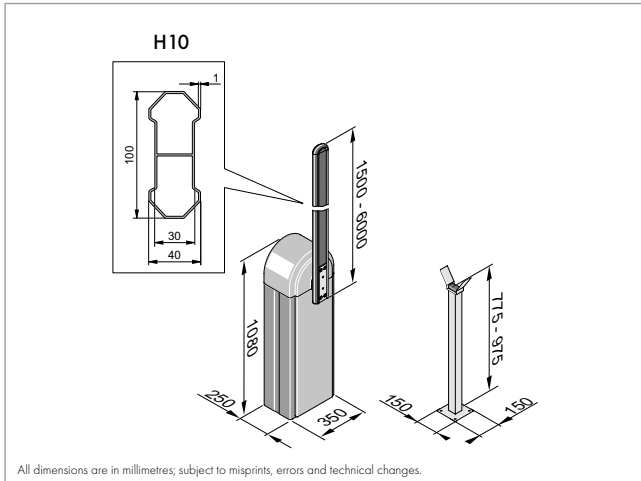
S11696-00001



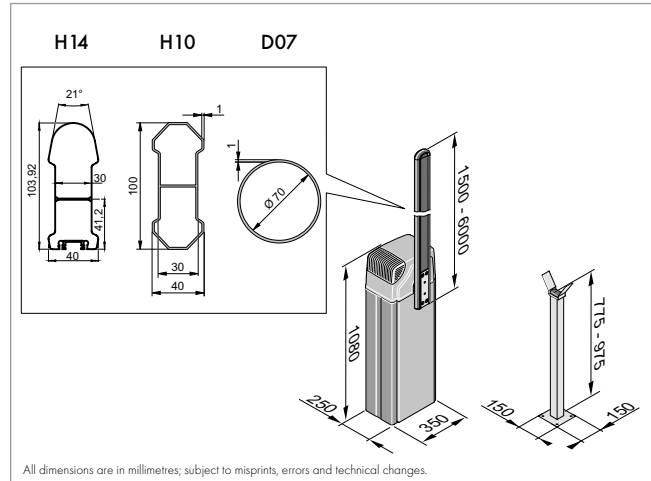
- Barrier in **aluminium housing**
- Incl. round boom D07, 5.5 m for improved wind load characteristics
- **Integrated LED warning light**
- Integrated radio receiver (FM 868.95 MHz SOMloq2, 40 radio memory positions)
- Pre-programmed Pearl Vibe 4-command handheld transmitter (#4019V000) with noticeable feedback of radio commands via vibration
- Integrated motor control unit
- Max. 350 cycles/day

Barriers

ASB-6010



ASB-6010A, ASB-5014A and ASB-5507A



Accessories for barriers



Floating support

S10880-00001

- Floating support made of aluminium
- Recommended for boom lengths > 4 m
- 70 mm adjustment path
- Incl. mounting material
- For boom H10 and D07

Support post

S11061-00001

- Recommended for boom lengths > 4 m
- 200 mm adjustment path
- Colour: white



Please only use support posts or floating supports!





One control unit for all requirements

Whether it's a sectional, high-speed or roller door, with or without a frequency converter, the GIGAcontrol A R3 is the solution. The highest technical standard combined with simple menu-guided operation and programming in tried and tested SOMMER quality offers new options to our customers.

Industrial door operators



Today and in the future, industrial door operator systems need to be tailored to the needs and processes of companies. They should be durable and efficient, and also enable short opening and closing times. These characteristics are combined in the **GIGA** industrial door operator series from SOMMER.

The industrial door operators are available in versions with **emergency hand crank**, **emergency hand chain** or **emergency release**. Optionally, the operators can also be supplied with an additional **service release**.



GIGAsedo

The GIGAsedo range of sectional door operators is noted for quiet operation, power and long service life. The standard electronic limit switch system can be set using the control unit integrated into the operator by means of any conventional triplex sensing device.

GIGArroll

The GIGArroll roller door operator range has a powerful gearing system combined with the latest motor technology. Our roller door operators with integrated dead man's switch have been specially developed for doors with low requirement specifications.

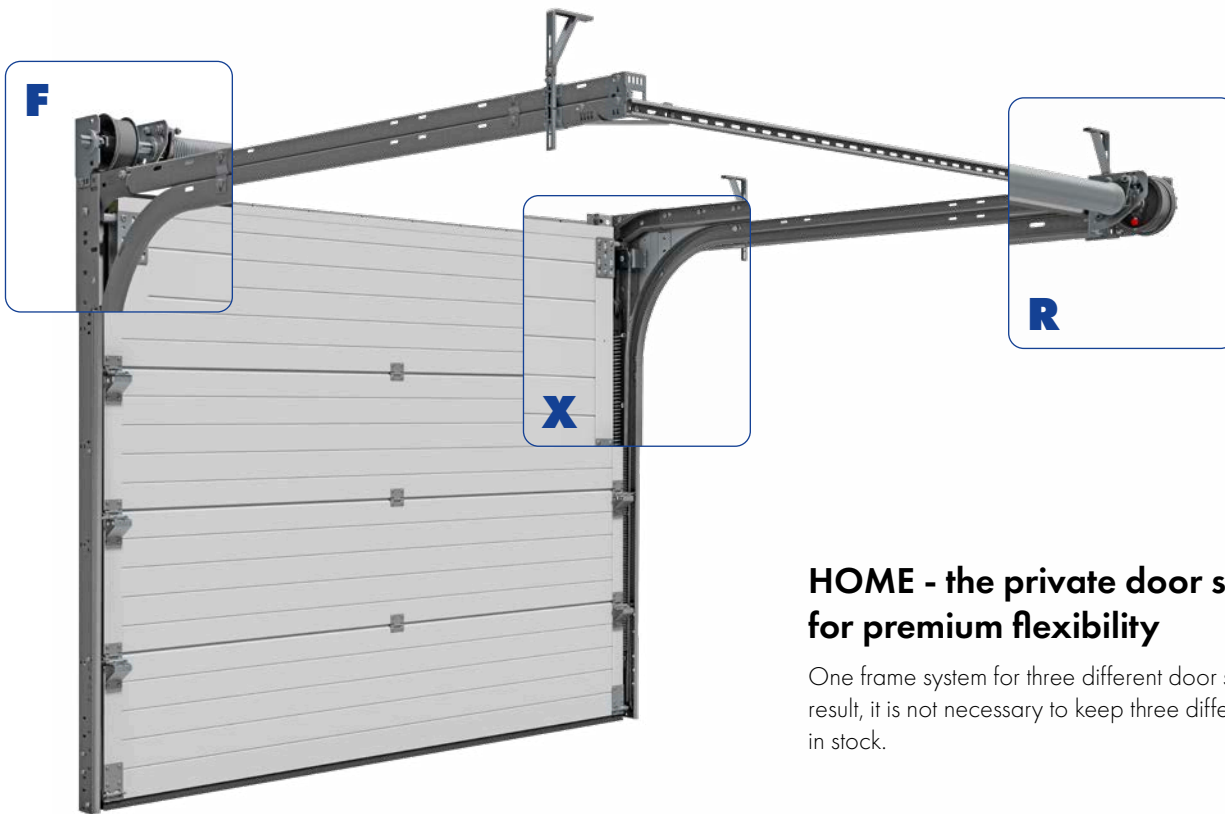


GIGAspeed

Optimum efficiency in a compact design for smaller high-speed doors. With 120 rpm at 35 Nm and an integrated frequency converter, the operator system has what it takes to meet customer requirements in the rapidly growing PVC high-speed door market. This system provides flexible application options either with or without a safety gear.



You can find further information at www.industrietorantriebe.de or contact us and request our informational material package.



HOME - the private door system for premium flexibility

One frame system for three different door systems. As a result, it is not necessary to keep three different systems in stock.



Private door system with tension springs
max. door panel weight: 130 kg



Private door system with front torsion springs
max. door panel weight: 295 kg

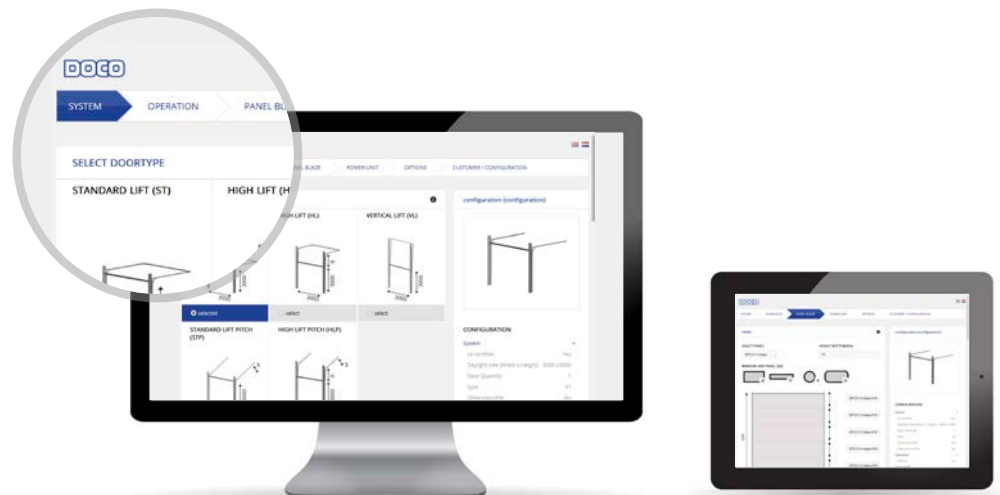


Private door system with rear torsion springs
max. door panel weight: 165 kg

The industrial door configurator

The configurator for industrial doors allows detailed planning and development of new projects. It provides complete parts lists and production and installation drawings for every configuration. All doors can be created in accordance with CE guidelines and displayed together with their specific properties, such as wind load.

Can be found at: configurator.doco-international.com



Comprehensive range of over 3500 high-quality products for the assembly of sectional doors for private and industrial customers and a wide range of spare parts are available. For more information, see www.doco-international.de or your DOCO contact.

Aluminium profiles



Mounting parts



Floor consoles



Seals



Stainless steel fittings



Spring heads



Springs and spring supports



Spring buffers



Windows



Hoist chains and accessories



Consoles and bearings



Couplings



Rollers



Rails



Hinges



Locks and handles



Pulleys



Rope drums



Fuses



Steel ropes and accessories



Top roller retainers



Pre-installed rails for garage doors with tension springs or torsion springs

Shafts



Frames



Index of items

Item no.	Page	Item no.	Page	Item no.	Page	Item no.	Page
204V000	125	5004V000	143	7044V000	29	S10454-00001	47
927	37	5005V000	143	7441	126	S10455-00001	47
1500V000	30	5006V000	143	7444	126	S10456-00001	47
1609V001	33	5007V000	143	7613V000	83	S10489-00001	146
1612	31	5008V000	143	7614V000	83	S10490-00001	146
1613	34	5009V000	143	7634V000	83	S10523-00001	26, 157
1620	31	5010V000	143	7640V000	149	S10547-00001	159
1628V000	34	5024	145	8500V000	21	S10556-00001	83
1634V000	34	5026	145	8700V000	21	S10570-00001	28
1640V000	148	5030	33	8800V000	21	S10600-00001	147
1646V000	35	5031V000	144	10296V000	150	S10603-00001	71
1646V002	35	5037	35	10297V000	150	S10604-00001	71
1650V000	28	5069V001	156	10298V000	150	S10605-00001	71
1651V000	24	5070V001	156	10360	137, 141	S10606-00001	11
2119V001	102	5073V001	152	10371	24	S10607-00001	11
2187V000	82	5075V002	154	10373	24, 48, 78	S10696-00001	115
2251V000	79	5078	151	10377	48	S10730-00001	37
2950V001	12	5079	151	10378	25	S10741-00000	29
3100	32	5095	154	10382V000	145	S10751-00001	80, 82
3101	29	5096V001	151	10383V000	145	S10755-00001	80, 82
3102	29	5100	34	10428V000	39, 156	S10758-00001	80
3103	29	5102V000	79	10460V000	34	S10759-00001	80
3104V000	33	5114V000	156	10462V002	34	S10771-00001	156
3105	30	5115V001	157	11010	39	S10794-00001	115
3106	30	5116-100V100	31	11066V000	39	S10798-00001	145
3108V000	81	5116V000	31	12295V000	82	S10807-00001	27
3113	27	5116V003	31	14038V000	102	S10814-00001	33, 48
3117	32	5116V100	31	14514V005	82	S10815-00001	38
3119V000	155	5121V000	144	14514V006	82	S10834-00001	27
3122V000	30	5122V000	144	14514V007	83	S10848-00002	169
3204V000	78	5150V000	154	14514V008	83	S10854-00001	27
3205V003	79	5150V001	154	14514V009	82	S10868-00001	34
3248V000	78	5212V000	142	14521V000	83	S10880-00001	174
3271V000	78	5213V001	143	14521V001	83	S10886-00001	38
3280V000	67	5228	149	14525V000	83	S10904-00001	71
3408V000	100	5229	148	20466V000	157	S10905-00001	71
3409V000	100	5230V000	155	20466V001	157	S10906-00001	71
3500V000	98	5231V000	155	20764V000	151	S10929-00001	147
3504V000	98	5232V000	155	20765V000	151	S10929-00002	147
3540V007	90	5233	149	21106V000	114	S10940-00001	36
3541V004	91	5234V000	149	21106V030	114	S10941-00001	159
3550V000	90	5406V000	150	21107V000	114	S10941-00003	159
3551V000	91	5412V000	150	21107V010	114	S10968-00001	167
3677V000	103	5805	104	21107V020	114	S10970-00001	149
3680	151	5811	105	21107V030	114	S10990-00001	38
3682	151	5812	105	32063V001	80	S10992-00001	37
3700V005	92	5813	105	32063V002	81	S10994-00001	28
3701V000	102	5815V000	105	32063V003	81	S11004-00001	117
3707V000	157	5816V000	105	32063V004	80	S11011	119
3710V000	92	5822V002	98	32063V174	81	S11013-00001	149
3712V000	92	5823V001	102	32063V175	81	S11059-00001	149
3713V000	92	5823V002	102	32066	80	S11061-00001	174
3734V000	75	5900V000	164	32066V001	80	S11066-00001	146
3735V000	75	5902V000	165	46055V001	125	S11111-00001	28
3800V000	157	5904V000	164	46059	125	S11112-00001	28
3940V000	163	5905V000	164	46072V000	129	S11114-00001	104
3950V000	163	5906V000	165	46213	125	S11141-00001	79, 144
3951V000	163	5907V000	164	50007	33	S11142-00001	79
3952V000	163	5908V000	164	50046	153	S11179-00001	81
3953V000	163	5909V000	165	50046V001	152	S11181-00001	148
3954V000	163	5933V000	164	65296V000	36	S11186-00001	137
4004V001	126	5935V000	164	80103	31	S11187-00001	141
4011V000	120	5973	167	80104	31	S11188-00001	142
4018V000	110	5980V000	125, 167	80134	148	S11189-00001	137
4018V001	110	5990V000	125, 167	S10019-00001	111	S11190-00001	141
4018V003	110	6005V000	167	S10152-00001	78	S11191-00001	135
4018V020	110	6006V000	165	S10154-00001	23	S11192-00001	139
4019V000	110	6007V000	166	S10155-00001	23	S11298-00002	28
4019V001	110	6008V000	166	S10156-00001	23	S11342-00001	129
4019V003	110	6009V000	166	S10171-00002	30	S11442-00001	116
4019V021	110	6010V000	166	S10178-00001	35	S11449-00001	155
4020V000	120	7000V000	123	S10201-00001	28	S11450-00001	155
4026V000	120	7001V000	123	S10202-00001	112	S11456-00001	169
4038V000	113	7002V000	123	S10205-00001	25	S11466-00001	144
4050V000	126	7004V000	124	S10212-00001	112	S11474-00001	32
4640V000	120	7004V001	124	S10228-00001	28	S11479-00001	26
4641V000	121	7004V002	124	S10305-00001	112	S11480-00001	156
4642V000	120	7004V003	124	S10313-00001	45	S11481-00001	156
4643V000	111	7017V000	124	S10314-00001	45	S11488-00001	143
4643V001	111	7020V000	148	S10315-00001	45	S11489-00001	119
4650V000	120	7021V000	124	S10332-00001	78, 103	S11511-00001	25
4752V000	121	7023V000	148	S10343-00001	25, 48	S11520-00001	57
4753V000	121	7028V000	147	S10355-00001	36	S11521-00001	57
4762V000	121	7028V001	147	S10357-00001	142	S11522-00001	58
4762V001	121	7029V000	147	S10447-00001	113	S11523-00001	58
4796V000	122	7040V000	158	S10447-00002	113	S11524-00001	63
4796V001	122	7041V000	25	S10448-00001	110	S11525-00001	63
4796V002	122	7042V000	27	S10448-00012	110	S11526-00001	67
5003V000	143	7043V000	25	S10453-00001	47	S11561-00001	129

Item no.	Page
S11566-00001	.94
S11567-00001	.95
S11568-00001	.92
S11584-00001	.26
S11594-00001	.135, 139
S11614-00001	.136
S11614-00004	.136
S11615-00001	.140
S11615-00004	.140
S11627-00001	.81
S11628-00001	.81
S11629-00001	.81
S11675-00001	.136, 140
S11683-00001	.172
S11684-00001	.172
S11687-00001	.172
S11688-00001	.172
S11691-00001	.173
S11692-00001	.173
S11695-00001	.173
S11696-00001	.173
S11812-00001	.67
S11813-00001	.94
S11814-00001	.95
S11815-00001	.93
S11816-00001	.93
S11817-00001	.93
S11842-00001	.111
S11847-00001	.103, 151
S11847-00002	.103, 151
S11848-00001	.152
S11848-00002	.152
S11876-00001	.38
S11925-00001	.111
S11929-00001	.36
S11935-00001	.103
S11936-00001	.103
S11937-00001	.103
S11938-00001	.103
S12027-00001	.72
S12030-00001	.72
S12033-00001	.72
S12036-00001	.72
S12039-00001	.72
S12042-00001	.72
S12056-00001	.26
S12068-00001	.144
S12068-00002	.144
S12068-00003	.144
S12243-00001	.104
S12271-00001	.130
S12271-00002	.130
S12272-00001	.130
S12272-00002	.131
S12374-00001	.104
S12378-00001	.131
S12378-00002	.131
S12379-00001	.152
S12380-00001	.152
S12381-00001	.152
S12382-00001	.153
S12383-00001	.153
S12384-00001	.153
S12385-00001	.153
S12386-00001	.153
S12387-00001	.153
S12388-00001	.152
S12478-00001	.147
S12496-00001	.104
S12615-00001	.78
S12655-00001	.132
S12656-00001	.133

SOMMER Group companies



www.groke.de



www.doco-international.com



www.aperto-torantriebe.de



www.metaku.de



Triebbacher

www.triebbacher.de



SOMMER APERTO SCANDINAVIA AB
HANTVERKSGATAN 5D | SE-434 42 KUNGSBACKA
TEL. +46 300 14820 | FAX +46 300 13060
INFO@APERTO.SE | WWW.SOMMER.EU/SV

