

# One-way photocell 20 m 2-wire

Item No. S13494-00001



The 20-metre one-way photocell uses the SOMMER 2-wire system. Only two wires are required on the transmitter and the receiver side, while the polarity is optional. The fact that the board is rotatable through 180° means additional installation options, and no mounting brackets are required. And with IP code IP55, it is suitable for outdoor use.



Only for SOMMER products.

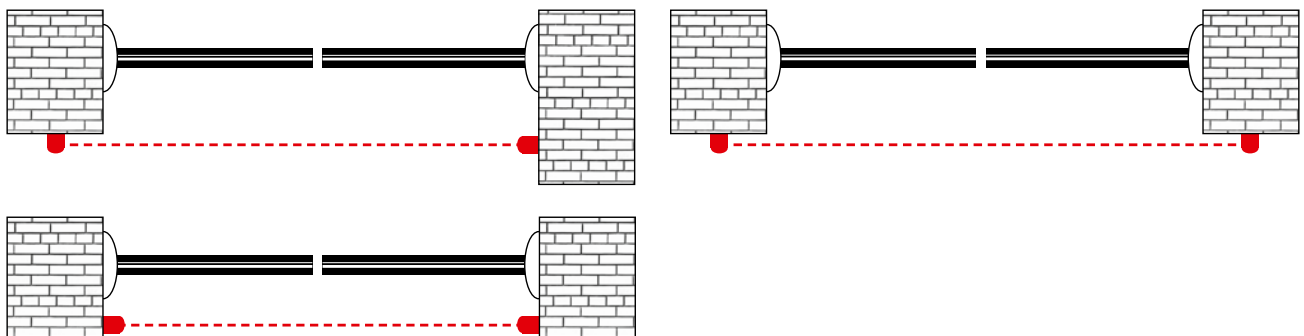


Board rotatable through 180 degrees. No other mounting bracket necessary.

## Technical data

| Type                  | One-way photocell 20 m 2-wire |
|-----------------------|-------------------------------|
| Min. temperature      | -25 °C                        |
| Max. temperature      | +65 °C                        |
| Connection technology | SOMMER 2-wire bus             |
| Dimensions            | 37 × 104 × 35 mm              |
| Angle of rotation     | 180°                          |
| IP code               | IP55                          |

## Installation examples

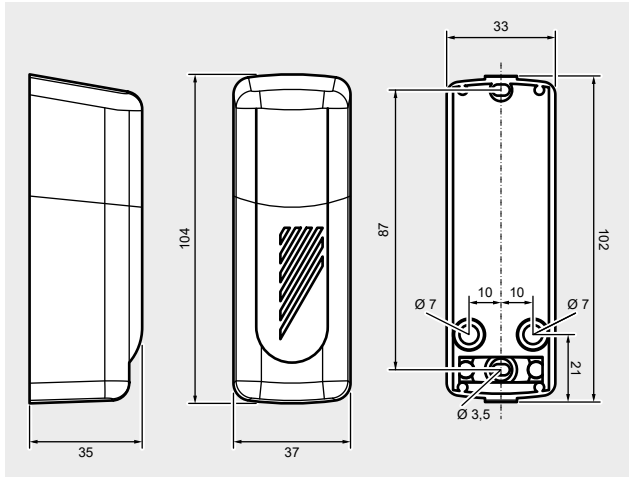


# One-way photocell 20 m 2-wire



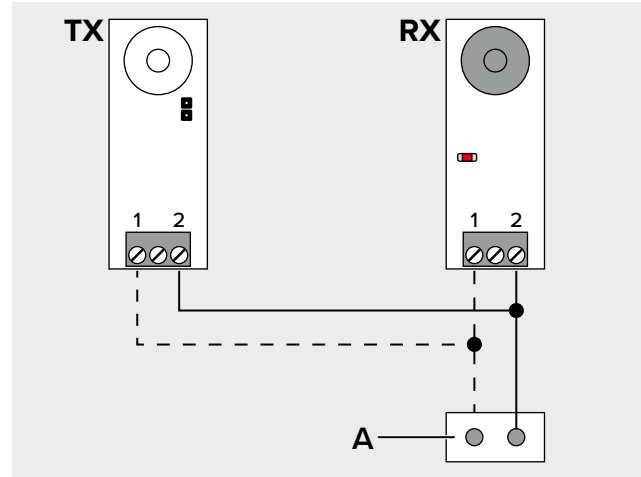
Item No. S13494-00001

## Dimension drawing



All dimensions are in millimetres.

## Connection diagram



A: Control unit or operator from SOMMER.

## Accessories



### Connection cable

- > for photocells
- > Length: 20 m
- > Cross-section: 2× 0.5 mm<sup>2</sup>
- > Stripped on both sides, with core end sleeves

Item No. 80134



### Columns for photocells

- > Dimensions: 80 × 50 × 470 mm (L × W × H)
- > incl. two columns and mounting material

Item No. S11059-00001