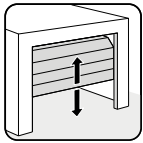


Checklist for garage door operators

Garage door type

Sectional door



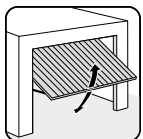
Door with single segments which move along rails from the perpendicular to the horizontal position.

- When the door is closed, is the top roll positioned above the curve of the door? (double rail)
- Is the last roll below the curve of the door? (single rail)



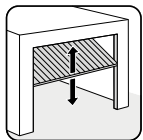
For sectional doors with a single rail, a sectional door fitting with boomerang # 3101 is required.

One piece door



The garage door can be opened and closed by pulling or pushing horizontally on the top edge of the door.

Up-and-over door

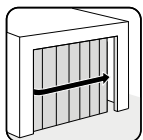


Retractable door which is guided in the frame in a perpendicular rail.



A curved arm # 1500V000 is required for this door type.

Side-opening sectional door/ Side-opening door



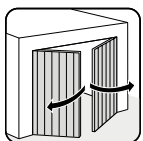
Where is the last segment positioned when the door is closed?

- in the curve
- after the curve



A side-opening sectional door fitting # 3103 is required in the case of ceiling mounting for this door type.

Hinged double door



What is the width of each door leaf seen from the inside?

Left leaf: _____ mm Right leaf: _____ mm

Free space behind the opened gate leaf:

- > 500 mm
- ≤ 500 mm



Only possible with outward-opening doors!

A hinged double door fitting is required for this door type.

Door mechanism

Does the garage door open or close without jamming?

- Yes
- No

In closed but unlocked state, does the door lie against the lower stop rail?

- Yes
- No

Is it stable, i.e. can it be opened or closed without having to apply undue force?

- Yes
- No

Does the door comply with standards EN 12604 and EN 12605?

- Yes
- No

Checklist for garage door operators

Special features

Does the garage have a separate entrance?

- Yes
 No

Does the garage door have a wicket door?

- Yes
 No

Is the garage an underground or collective garage?

- Yes
 No

If so, with how many spaces?

Is a two-way traffic control required?

- Yes
 No

Position of the door lock:

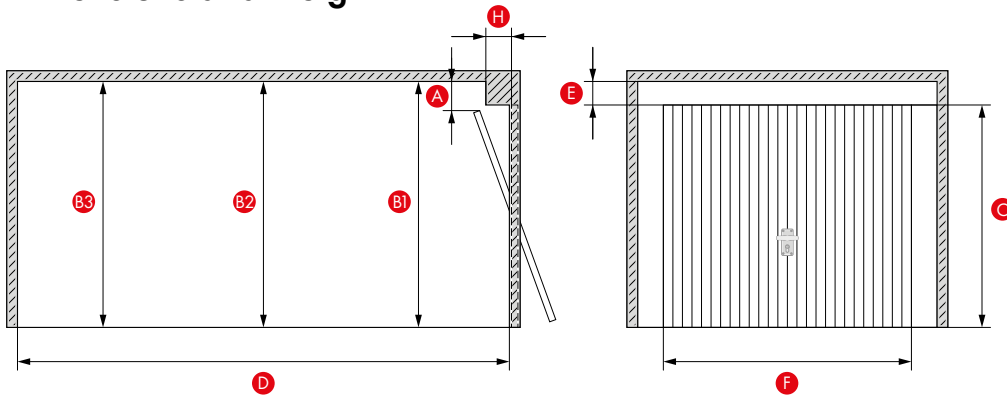
- bottom
 top
 side

Name of door manufacturer:

Door type (manufacturer's designation):

Year of manufacture of the door:

Dimensions and weight



i Please enter the position of beams in the sketch, including the dimensions in mm.

A Distance between highest running point of the door and garage ceiling (for side-opening doors, between side wall and door): _____ mm

B1 Garage height at the front: _____ mm

B2 Garage height at the centre: _____ mm

B3 Garage height at the rear: _____ mm

C Door height: _____ mm

D Garage depth: _____ mm

E Lintel height: _____ mm

F Gate width: _____ mm

H Distance (between inner edge of door and inner edge of lintel): _____ mm

Gate leaf weight: _____ kg

Accessories

- | | |
|---|------------------------------------|
| <input type="checkbox"/> Handheld transmitter
_____ pcs. | <input type="checkbox"/> Photocell |
| <input type="checkbox"/> Telecody ⁺ | <input type="checkbox"/> Senso |
| <input type="checkbox"/> Access systems | <input type="checkbox"/> Lock |
| <input type="checkbox"/> Key switch | <input type="checkbox"/> Buzzer |
| <input type="checkbox"/> flush-mounted | <input type="checkbox"/> Motion |
| <input type="checkbox"/> surface-mounted | <input type="checkbox"/> Laser |
| | <input type="checkbox"/> Relay |

Company stamp/customer number _____
(The customer number is required for processing.)



Simply fill in the checklist, enter your contact data and submit to SOMMER together with your inquiry (Fax: 07021 / 8001-100, e-mail: info@sommer.eu). You can download the checklist at www.som4.me/chkl.