

# Checklist for high-speed door operators

With weight compensation

Ø Winding shaft \_\_\_\_\_ mm

## Ø Plug in shaft/motor

25,0 mm     25,4 mm     30,0 mm

Door size, height \_\_\_\_\_ mm

Door size, width \_\_\_\_\_ mm

Number of cross braces \_\_\_\_\_

Weight of door curtain \_\_\_\_\_ kg

Weight of brace \_\_\_\_\_ kg

## Emergency release

Emergency hand crank     Emergency hand chain

## Connection cable

5 m     7 m     11 m

## Control unit

### Power supply

400 V/three-phase operation     230 V/single-phase operation

**Automatic** with external controller GIGAcontrol A R3

**Automatic with frequency converter** with external controller GIGAcontrol A R1 or R3

## Accessory modules (für GIGAcontrol A R1 und R3)

Radio receiver module

Two-way traffic control module

Induction loop module

## Accessories

Handheld transmitter

OSE set with door socket(s) and spiral cable

## Safety edge

2 m     2,5 m

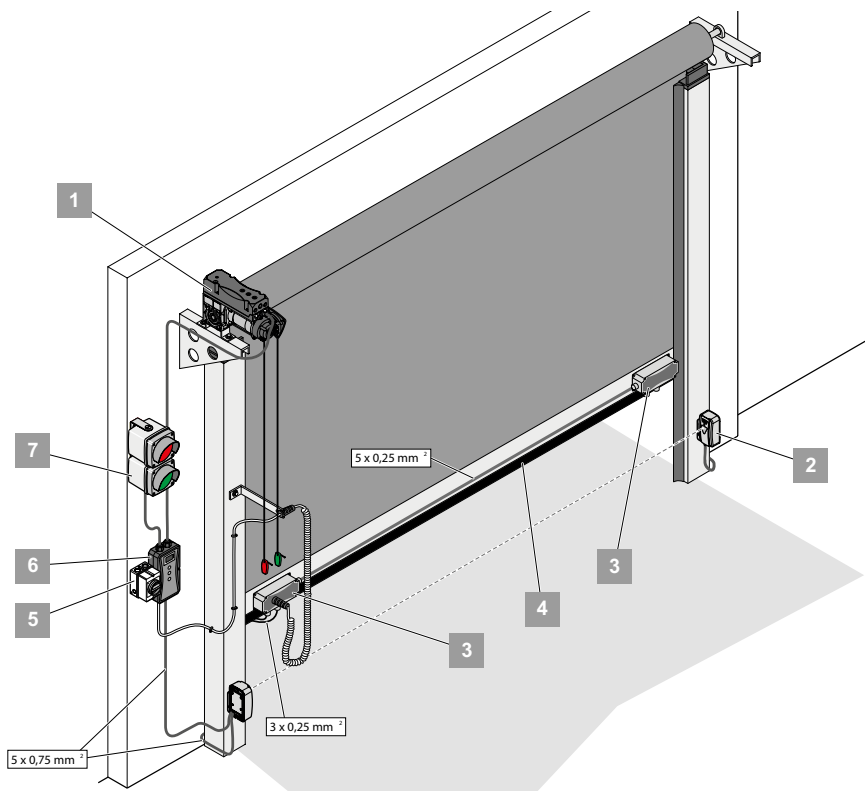
## Photocell

2-wire     4-wire one-way     4-wire reflection

## Induction loop module

5 m     7 m     11 m

Radar sensor



- 1** Operator
- 2** Photocell
- 3** GIGAbbox (door socket)
- 4** Closing edge
- 5** Main switch
- 6** GIGAcontrol A (controller)
- 7** Traffic light